



J-351V

PORTABLE BANDSAW

J-351V.... 50000336M 1~230V, 50Hz

PARTS LIST

JPW Tool Group Hong Kong Limited

98 Granville Road, Tsimshatsui East, Kowloon, Hong Kong, PRC

www.jettools.com

Импортер в РФ: ООО «ИТА Технолоджи»

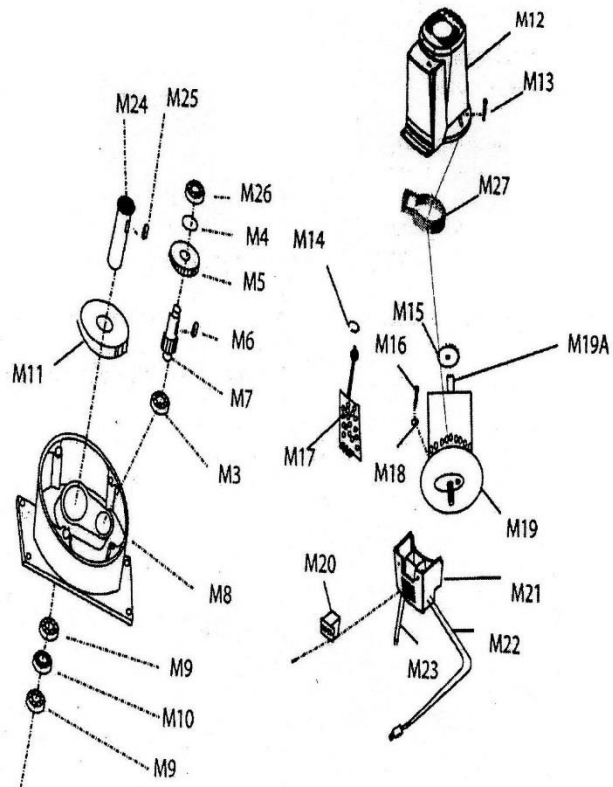
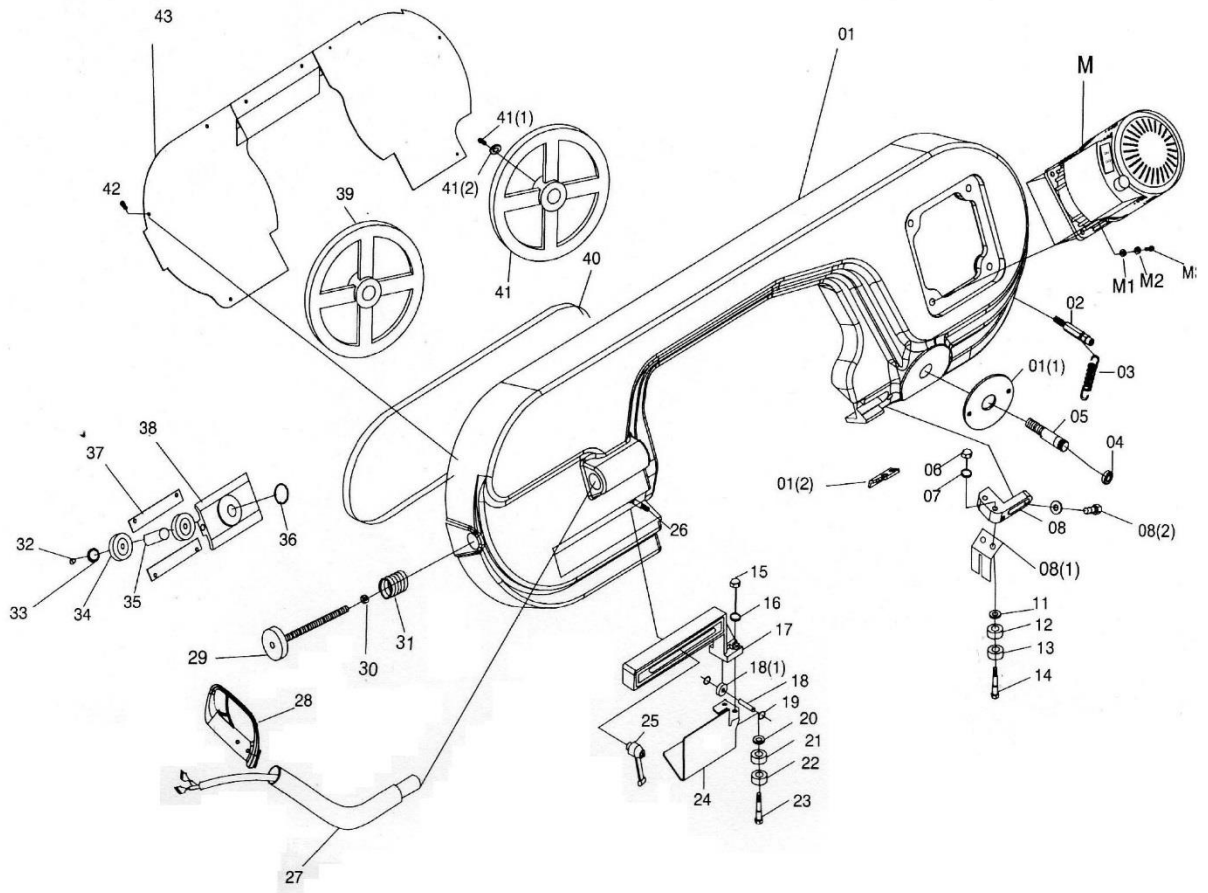
105082, Москва, Переведеновский пер., д. 17

www.jettools.ru



Made in Taiwan / Сделано на Тайване

J-351V Bow saw breakdown

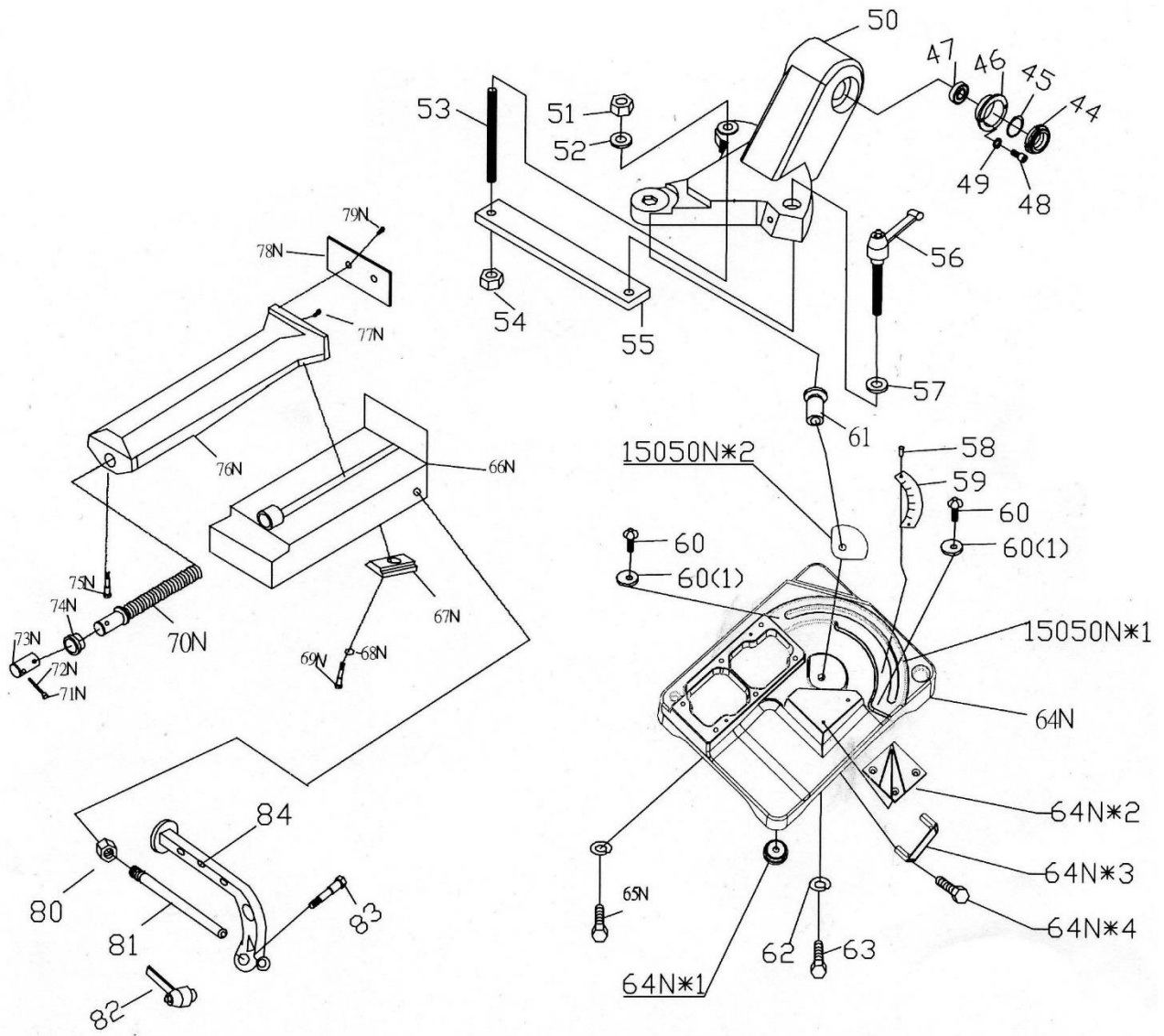


J-351V Bow saw Assembly

Index No.	Part No.	Description	Size	Q'ty
1	J-351V-01	Body Frame		1
1A	J-351V-01A	Bow Saw Plate		3
1A-1	J-351V-01A-1	Angle Plate		1
2	J-351V-02	Spring Axis		1
3	J-351V-03	Spring		1
4	J-351V-04	Bearing	32004	1
5	J-351V-05	Axis		1
5A	J-351V-05A	Shaft Fixed Plate		1
6	J-351V-06	Nut		2
7	J-351V-07	Washer		2
8	J-351V-08	Fixed Blade Guide Plate		1
8(1)	J-351V-08-1	Chip Fence		1
9	J-351V-09	Screw		2
11	J-351V-11	Busing For Arm		2
12	J-351V-12	Bearing		2
13	J-351V-13	Bearing		2
14	J-351V-14	Bias Axis		2
15	J-351V-15	Nut		2
16	J-351V-16	Washer		2
17	J-351V-17	Arm		1
18	J-351V-18	Pin		2
18(1)	J-351V-18-1	Bearing		2
19	J-351V-19	Washer		2
20	J-351V-20	Busing For Arm		2
21	J-351V-21	Bearing		2
22	J-351V-22	Bearing		2
23	J-351V-23	Bias Axis		2
24	J-351V-24	L. Blade Guard		1
25	J-351V-25	Bolt		1
26	J-351V-26	Screw		1
27	J-351V-27	Handle Shelf		1
28	J-351V-28	Handle		1
29	J-351V-29	Handle Wheel		1
30	J-351V-30	Washer		8
31	J-351V-31	Screw		2
32	J-351V-32	Screw		1
33	J-351V-33	Washer		1
34	J-351V-34	Bearing		2
35	J-351V-35	Blade Sheet Shaft		1
36	J-351V-36	Washer		1
37	J-351V-37	Block		2
38	J-351V-38	Block Blade Tension		1
39	J-351V-39	Return Flywheel		1
40	J-351V-40	Saw Blade		1
41	J-351V-41	Motor Flywheel		1
42	J-351V-42	Screw		6
43	J-351V-43	Body Cover		1
M	J-351V-M	Motor		1
M1	J-351V-M1	Screw		1
M2	J-351V-M2	Spring Washer		1
M3	J-351V-M3	Bearing	607	1
M4	J-351V-M4	Stalls Circle		1
M5	J-351V-M5	Gear		1
M6	J-351V-M6	Key		1
M7	J-351V-M7	Gear Shaft		1
M8	J-351V-M8	Gear Box		1
M9	J-351V-M9	Bearing		2
M10	J-351V-M10	Oil Seal		1
M11	J-351V-M11	Gear		1
M12	J-351V-M12	Up Cover		1

Index No.	Part No.	Description	Size	Q'ty
M13	J-351V-M13	Screw	4X45 mm	1
M14	J-351V-M14	Nut		1
M15	J-351V-M15	Fan		1
M16	J-351V-M16	Screw		1
M17	J-351V-M17	Electrical Board		1
M18	J-351V-M18	Oil Seal		1
M19	J-351V-M19	Gear Plate		1
M19A	J-351V-M19A	Motor Shaft		1
M19B	J-351V-M19B	Motor		1
M20	J-351V-M20	Switch		1
M21	J-351V-M21	Down Cover		1
M22	J-351V-M22	Plug		1
M23	J-351V-M23	Handel Wire		1
M24	J-351V-M24	Main Shaft		1
M25	J-351V-M25	Key		1
M26	J-351V-M26	Bearing		1
M27	J-351V-M27	Middle Plastic Cover		1
M28	J-351V-M28	Carbon Brush (not show)	6x10 mm	2

J-351V Base breakdown

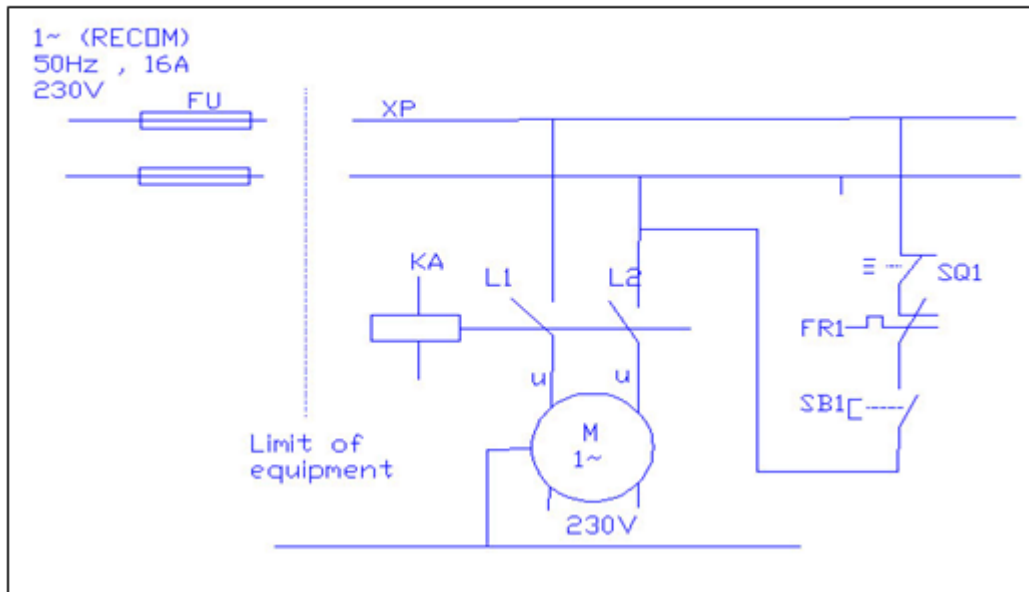


J-351V Base Assembly

Index No.	Part No.	Description	Size	Q'ty
44	J-351V-44	Nut		1
45	J-351V-45	Cover		1
46	J-351V-46	Bushing		1
47	J-351V-47	Bearing	32004	1
48	J-351V-48	Screw		1
50	J-351V-50	Miter		1
15050N	J-351V-50N	Shaft		1
15050N-1	J-351V-50N-1	Miter Plate		1
15050N-2	J-351V-50N-2	Miter Plate		1
51	J-351V-51	Nut		1
53	J-351V-53	Screw		1
54	J-351V-54	Nut		1
55	J-351V-55	Plate		1
56	J-351V-56	Bolt		1
57	J-351V-57	Washer		1
58	J-351V-58	Screw		1
59	J-351V-59	Scale		1
60	J-351V-60	Screw		1
60(1)	J-351V-60-1	Washer		1
61	J-351V-61	Bushing		1
62	J-351V-62	Washer		1
63	J-351V-63	Screw		1
64N	J-351V-64N	Base		1
64N-1	J-351V-64N-1	Rubber		4
64N-2	J-351V-64N-2	Base Plate		1
64N-3	J-351V-64N-3	Handle		2
64N-4	J-351V-64N-4	Screw		8
65N	J-351V-65N	Screw		1
66N	J-351V-66N	Fence Base		1
67N	J-351V-67N	Locking Seat		1
68N	J-351V-68N	Washer		1
69N	J-351V-69N	Screw		1
70N	J-351V-70N	Acme Screw		1
71N	J-351V-71N	Knob		1
72N	J-351V-72N	Handle Rod		1
73N	J-351V-73N	Shaft Bushing		1
74N	J-351V-74N	Bushing		1
75N	J-351V-75N	Screw		1
76N	J-351V-76N	Vise Jaw – Left		1
77N	J-351V-77N	Screw		1
78N	J-351V-78N	Vise Plate		1
79N	J-351V-79N	Screw		1
80	J-351V-80	Nut		1
81	J-351V-81	Rod Stock Stop		1
82	J-351V-82	Bolt		1
83	J-351V-83	Screw		1
84	J-351V-84	Stop Bracket		1

J-351V...50000336M 1~230V, 50Hz

CIRCUIT DIAGRAM



Item	Description	Description and function	Technical data
1	SB1	TR26-21C-13D/L SM-8 4P Switch with lighe	IP54:250Vac CE
2		Supply Cable	Ac 600V, 10A,3G/0.75mm
3	M	motor	1650W/230V,
4	SQ1	ZIPPY Micro Switch,VMN-15,15A	20.5A 125 / 250 Vac CE
5	FR1	Over Load	5A / 250 Vac CE