



**JMD-3/JMD-3T
JMD-3T DRO**

Milling Drilling Center

JMD-3-M... 5000050M.....1~230V,50Hz
5000050LM.....1~230V,50Hz
50000549M.....1~230V,50Hz

PARTS LIST



JPW Tool Group Hong Kong Limited
98 Granville Road, Tsimshatsui East, Kowloon, Hong Kong, PRC
www.jettools.com

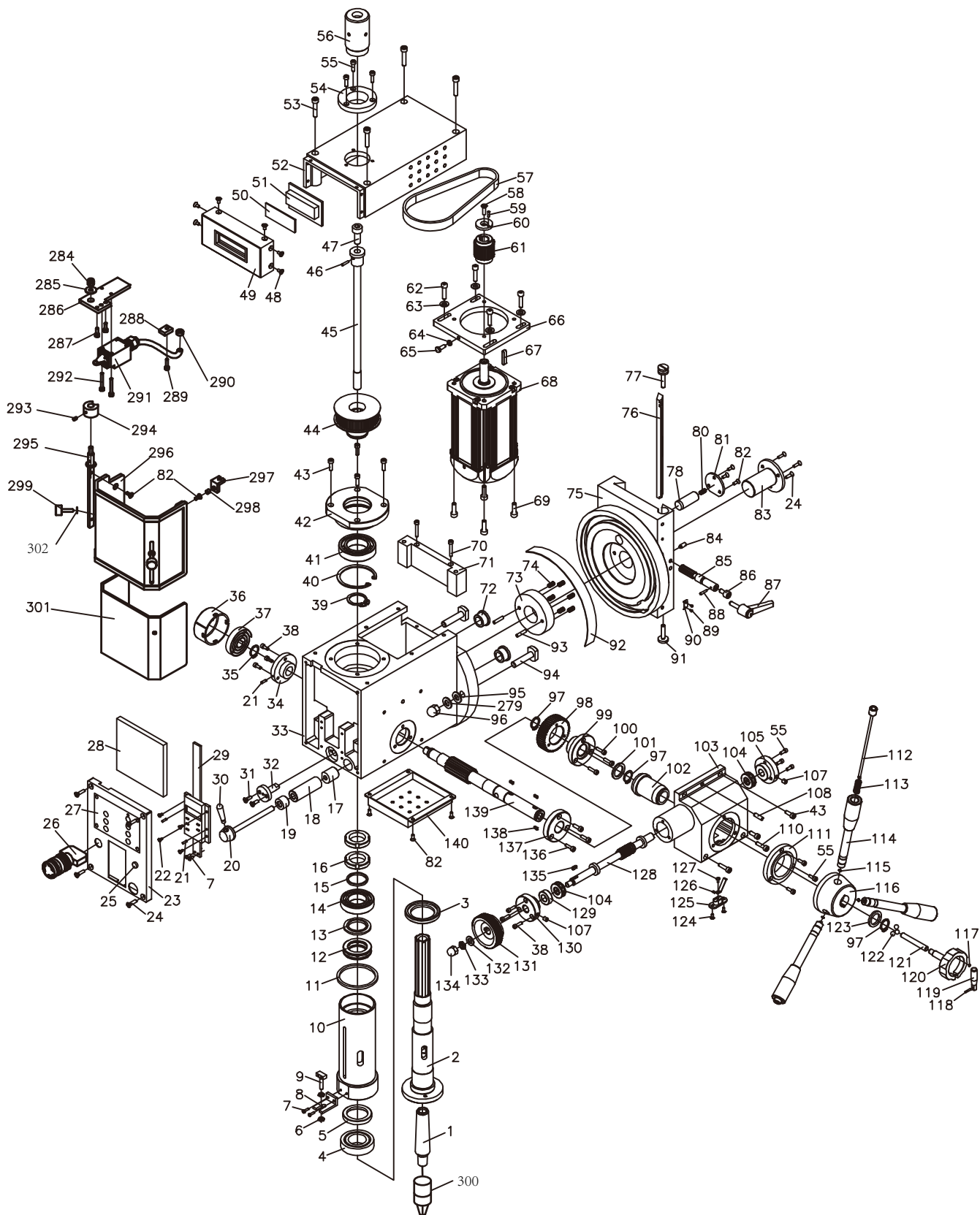
105082, : « »
www.jettools.ru , . 17

Made in PRC /

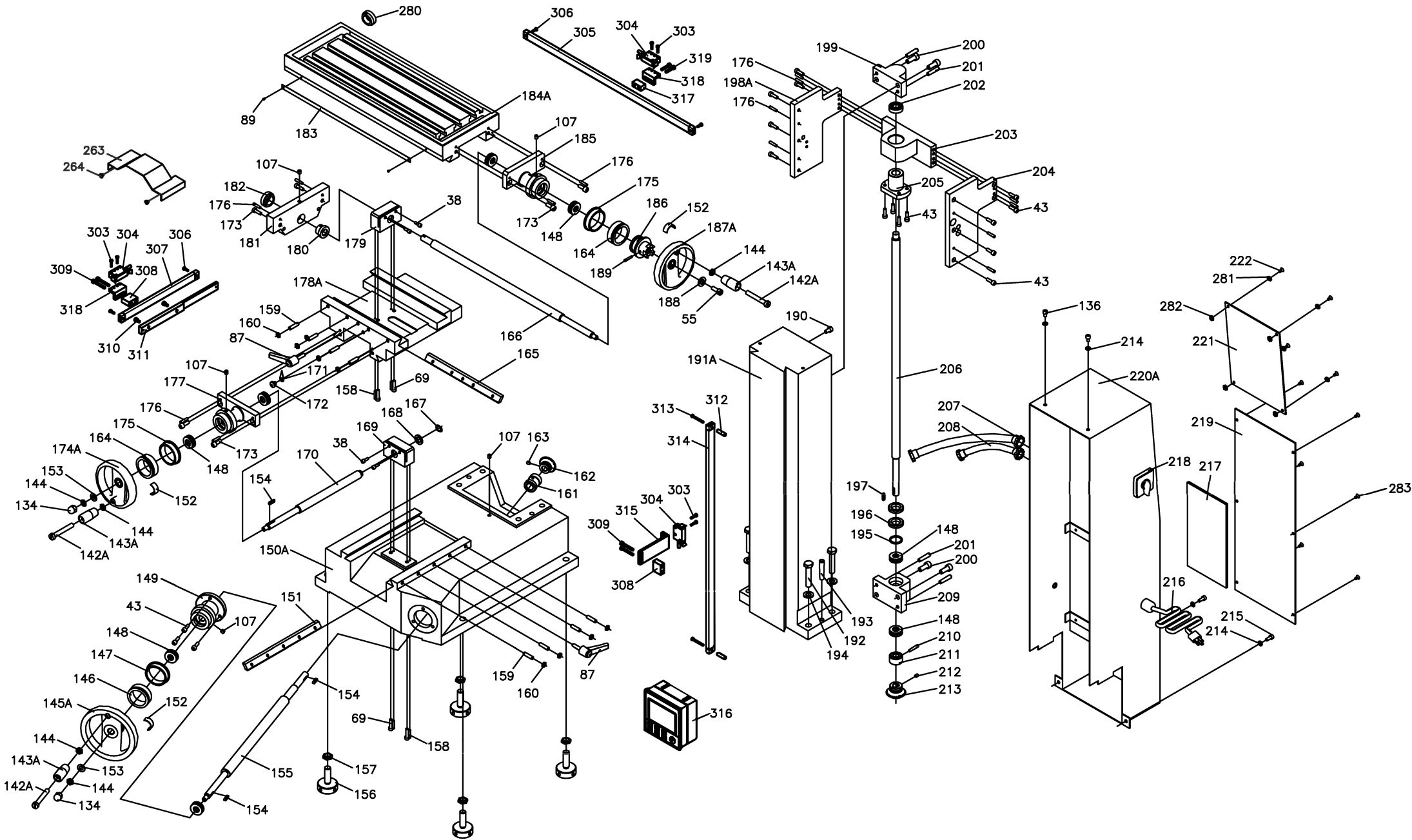
P-50000050M/ 50000050LM / 50000549M

2022-11

Parts Breakdown For JMD-3/ JMD-3T / JMD-3T DRO Milling Drilling Center (I)



Parts Breakdown For JMD-3 / JMD-3T/ JMD3T-DRO Milling Drilling Center (II)



Part List for JMD-3 / JMD-3T / JMD-3T DRO Milling Drilling Center

No.	Part no.	Description	Size	Qty.
1	JMD3-001	Taper shank B16/ MT3/ M12		1
2	JMD3-002	Spindle		1
3	JMD3-003	Under oil seal I		1
4	JMD3-004	Taper bearing	32907	1
5	JMD3-005	Under oil swal II		1
6	JMD3-006	Nut	M5	2
7	JMD3-007	Screw	M3X8	4
8	JMD3-008	Display fixed bracket		1
9	JMD3-009	Square screw		1
10	JMD3-010	Spindle sleeve		1
11	JMD3-011	Sleeve limit pad		1
12	JMD3-012	Bearing	8106	1
13	JMD3-013	Upper washer II		1
14	JMD3-014	Bearing	8106	1
15	JMD3-015	Upper washer I		1
16	JMD3-016	Small round nut	M27X1.5	2
17	JMD3-017	Spindle sleeve brake sleeve II		1
18	JMD3-018	Spindle sleeve brake sleeve I		1
19	JMD3-019	Deep washer		1
20	JMD3-020	Lock bolt		1
21	JMD3-021	Spring round pin	3X8	3
22	JMD2-022	Screw	M3X8	4
23	JMD3-023	Switch panel series #13061262 and down		1
	JMD3-023A	Switch panel series # 13091263 and up		1
24	JMD3-024	Screw	M4X16	7
25	JMD3-025	Indicator light		1
26	JMD3-026	Emergency stop switch series #13061262 and down		1
	JMD3-026A	Emergency stop switch series #13091263 and up		1
27	JMD3-027	Touch panel		1
28	JMD3-028	PC Board_Control buttons (AP2)		1
29	JMD3-029	Electron display		1
30	JMD3-030	Small handle		1
31	JMD3-031	Screw	M3X10	2
32	JMD3-032	Spindle sleeve orientation shaft		1
33	JMD3-033	Spindle box series #13061262 and down		1
	JMD3-033A	Spindle box series #13091263 and up		1
34	JMD3-034	Left support flange		1
35	JMD3-035	Check ring	16	1
36	JMD3-036	Check spring cover		1
37	JMD3-037	Clockwork spring		1
38	JMD3-038	Screw	M4X12	10
39	JMD3-039	Check ring	35	1
40	JMD3-040	Check ring	65	1
41	JMD3-041	Bearing	80107	1
42	JMD3-042	bearing seat		1
43	JMD3-043	Screw	M5X16	25
44	JMD3-044	Synchronization pulley		1
45	JMD3-045	lock bolt M12		1

Part List for JMD-3 / JMD-3T / JMD-3T DRO Milling Drilling Center

No.	Part no.	Description	Size	Qty.
46	JMD3-046	Taper pin	3X18	1
47	JMD3-047	Screw	M10X16	1
48	JMD3-048	Screw	M4X6	6
49	JMD3-049	Cover		1
50	JMD3-050	Block piece		1
51	JMD3-051	Rotate speed display (oooo)		1
52	JMD3-052	Spindle box cover		1
53	JMD3-053	Screw	M5X40	4
54	JMD3-054	Dustproof cover I for spindle		1
55	JMD3-055	Screw	M4X10	9
56	JMD3-056	Dustproof cover II for spindle		1
57	JMD3-057	Timing belt		1
58	JMD3-058	Screw	M6X16	1
59	JMD3-059	Pin	3X10	1
60	JMD3-060	Washer		1
61	JMD3-061	Motor timing pulley		1
62	JMD3-062	Screw	M6X20	4
63	JMD3-063	Washer	6	4
64	JMD3-064	Nut	M5	1
65	JMD3-065	Bolt	M5X25	1
66	JMD3-066	Motor support plate		1
67	JMD3-067	Key	5X25	1
68	JMD3-068	brushless motor		1
69	JMD3-069	Screw	M5X20	8
70	JMD3-070	Screw	M4X35	2
71	JMD3-071	Spindle box paneling		1
72	JMD3-072	Orientation steel sleeve		2
73	JMD3-073	Rub circle		1
74	JMD3-074	Compress spring	1X6X20	6
75	JMD3-075	Vertical slide		1
76	JMD3-076	Tilted wedge		1
77	JMD3-077	Adjusting screw		1
78	JMD3-078	orientation small gear shaft		1
79	JMD3-079	key series #13061262 and down cancel series #13091263 and up	4X12	1
80	JMD3-080	Compress spring		1
81	JMD3-081	Cover board		1
82	JMD3-082	Screw	M4X10	10
83	JMD3-083	Center orientation shaft		1
84	JMD3-084	Screw	M6X8	1
85	JMD3-085	Small gear shaft		1
86	JMD3-086	Inlay shaft		1
87	JMD3-087	Small handle assembly		3
88	JMD3-088	Taper pin	3X10	1
89	JMD3-089	Scutcheon rivet		4
90	JMD3-090	indication brand		1
91	JMD3-091	Adjust screw		1

Part List for JMD-3 / JMD-3T / JMD-3T DRO Milling Drilling Center

No.	Part no.	Description	Size	Qty.
92	JMD3-092	Staff gauge		1
93	JMD3-093	Pin	5X20	2
94	JMD3-094	T screw		2
95	JMD3-095	Washer	10	2
96	JMD3-096	Nut	M10	2
97	JMD3-097	Check ring	20	3
98	JMD3-098	Tilted gear		1
99	JMD3-099	Fastness sleeve		1
100	JMD3-100	Screw	M4X16	3
101	JMD3-101	Washer I		1
102	JMD3-102	Guide electricity assembly		1
103	JMD3-103	Worm support box		1
104	JMD3-104	Bearing	8101	2
105	JMD3-105	Worm right support flange		1
106	JMD3-106	Screw series #13061262 and down cancel series #13091263 and up	M4X10	6
107	JMD3-107	Cup oil	6	7
108	JMD3-108	Pin	6X20	1
109	JMD3-109	Screw series # 13061262 and down cancel series # 13091263 and up	M5X16	2
110	JMD3-110	Screw	M5X20	2
111	JMD3-111	Right support flange II		1
112	JMD3-112	Joy stick		3
113	JMD3-113	Compress	0.8X6X25	3
114	JMD3-114	Handle assembly		3
115	JMD3-115	Check ring	3	3
116	JMD3-116	Big handle seat		1
117	JMD3-117	Small magnetism block	Φ4x2	1
118	JMD3-118	Pin	3X14	1
119	JMD3-119	Assistant small handle		1
120	JMD3-120	Worm wheel lock handle		1
121	JMD3-121	lock small shaft		1
122	JMD3-122	Steel ball	8	3
123	JMD3-123	Adjust mat		1
124	JMD3-124	Screw	M3X6	2
125	JMD3-125	Touch fastness fight		1
126	JMD3-126	Guide electricity bar		1
127	JMD3-127	Screw	M3X6	1
128	JMD3-128	Worm		1
129	JMD3-129	Worm adjust mat		1
130	JMD3-130	Worm left support flange		1
131	JMD3-131	Worm hand wheel		1
132	JMD3-132	Washer	8	1
133	JMD3-133	Nut	M8	1
134	JMD3-134	Cup nut	M8	3
135	JMD3-135	Key	4X10	1
136	JMD3-136	Screw	M5X12	5
137	JMD3-137	Right support flange I		1
138	JMD3-138	Key	4X8	3

Part List for JMD-3 / JMD-3T / JMD-3T DRO Milling Drilling Center

No.	Part no.	Description	Size	Qty.
139	JMD3-139	Gear shaft		1
140	JMD3-140	Spindle box below cover		1
141	JMD3-141	Screw series# 13061262 and down	M4X10	4
		cancel series #13091263 and up		
142A	JMD3-142	Screw	M8X75	3
143A	JMD3-143	Handle sleeve		3
144	JMD3-144	Nut	M8	5
145A	JMD3-145	Handle wheel		2
146	JMD3-146	Dial		1
147	JMD3-147	Inlay circle		1
148	JMD3-148	Bearing	51101	8
149	JMD3-149	Support flange		1
150	JMD3-150	Base		1
151	JMD3-151	Cross wedge		1
152	JMD3-152	Reed		3
153	JMD3-153	Washer	8	2
154	JMD3-154	Key	4X16	3
155	JMD3-155	Rotate shaft		1
156	JMD3-156	Adjust bolt		4
157	JMD3-157	Nut	M12	4
158	JMD3-158	Taper pin	3X20	4
159	JMD3-159	Screw	M6X25	8
160	JMD3-160	Nut	M6	6
161	JMD3-161	Shaft sleeve		1
162	JMD3-162	Taper gear		1
163	JMD3-163	screw	M5X10	1
164	JMD3-164	Screw series #13061262 and down	M5X14	1
	JMD3-164A	Dial series # 13091263 and up		2
165	JMD3-165	Portrait wedge		1
166	JMD3-166	Portrait leadscrew		1
	JMD3-166T	Portrait leadscrew (for JMD-3T)		1
167	JMD3-167	Check ring	12	1
168	JMD3-168	Washer		1
169	JMD3-169	Cross leadscrew nut		1
170	JMD3-170	Cross leadscrew		1
171	JMD3-171	Finger		1
172	JMD3-172	Screw	M6X6	1
173	JMD3-173	Screw	M6X16	6
174A	JMD3-174	Handwheel		1
175	JMD3-175	Inlay circle		2
176	JMD3-176	Taper pin	4X20	14
177	JMD3-177	Bearing Seat		1
178	JMD3-178	Saddle		1
178	JMD3TDRO-178A	Saddle for JMD-3T DRO		1
179	JMD3-179	Portrait leadscrew nut		1
180	JMD3-180	left bearing sleeve		1
181	JMD3-181	Left support		1
182	JMD3-182	Left support stop up		1

Part List for JMD-3 / JMD-3T / JMD-3T DRO Milling Drilling Center

No.	Part no.	Description	Size	Qty.
183	JMD3-183	Staff guage		1
	JMD3-183T	Staff guage (for JMD-3T)		1
184	JMD3-184	Work table		1
	JMD3-184T	Work table (for JMD-3T)		1
184A	JMD3TDRO-184A	Work table for JMD-3T DRO		1
185	JMD3-185	Portrait leadscrew bearing seat		1
186	JMD3-186	Leadscrew clutch		1
187A	JMD3-187	Handwheel		1
188	JMD3-188	Washer		1
189	JMD3-189	Pin	4X28	1
190	JMD3-190	Screw	M6X10	1
191	JMD3-191	Verticality lead rail		1
191A	JMD3TDRO-191A	Verticality lead rai for JMD-3T DRO		
192	JMD3-192	Bolt	M10X40	4
193	JMD3-193	Taper pin	6X40	2
194	JMD3-194	Washer	10	4
195	JMD3-195	Washer		1
196	JMD3-196	Small round nut	M16X1.5	2
197	JMD3-197	Key	4X20	1
198	JMD3-198	Side support plate II		1
199	JMD3-199	Upper bearing seat		1
200	JMD3-200	Screw	M8X20	4
201	JMD3-201	Taper pin	6X25	4
202	JMD3-202	Bearing	80101	1
203	JMD3-203	Support fight		1
204	JMD3-204	Side support plate I		1
205	JMD3-205	Verticality leadscrew nut		1
206	JMD3-206	Verticality leadscrew		1
207	JMD3-207	Tube connecter		4
208	JMD3-208	Tube		2
209	JMD3-209	Below bearing seat		1
210	JMD3-210	Taper pin	4X26	1
211	JMD3-211	Limit sleeve		1
212	JMD3-212	Set screw	M5X8	1
213	JMD3-213	Taper gear II		1
214	JMD3-214	Washer	5	4
215	JMD3-215	Screw	M5X8	2
216	JMD3-216	Power line		1
217	JMD3-217	PC Main Circuit Board (AP1)		1
	JMD3-217-1	EMI-Filter (not shown)		1
218	JMD3-218	Power switch		1
219	JMD3-219	Cover II		1
220	JMD3-220	Back cover		1
221	JMD3-221	Cover II		1
222	JMD3-222	Screw series #13061262 and down	M4X6	18
263	JMD3-263	Protect cover		1
264	JMD3-264	Screw	M4X5	2
265	JMD3-265	Compress spring series #13061262 and down	1.4X8.2X24	1
		cancel series # 13091263 and up		

Part List for JMD-3 / JMD-3T / JMD-3T DRO Milling Drilling Center

No.	Part no.	Description	Size	Qty.
266	JMD3-266	Screw series #13061262 and down cancel series # 13091263 and up	M2X10	2
267	JMD3-267	Micro switch series #13061262 and down cancel series #13091263 and up		1
268	JMD3-268	Insulated washer series #13061262 and down cancel series # 13091263 and up		1
269	JMD3-269	Support plate series #13061262 and down cancel series # 13091263 and up		1
270	JMD3-270	Screw series #13061262 and down cancel series # 13091263 and up	M4X8	3
271	JMD3-271	Magnet block series #13061262 and down cancel series # 13091263 and up		1
272	JMD3-272	keep off block series #13061262 and down cancel series #13091263 and up		1
273	JMD3-273	Screw series #13061262 and down cancel series # 13091263 and up	M4X10	1
274	JMD3-274	Protect cover series #13061262 and down cancel series #13091263 and up		1
275	JMD3-275	Rotate shaft series #13061262 and down cancel series #13091263 and up		1
276	JMD3-276	Round pin series #13061262 and down cancel series #13091263 and up	3X8	1
277	JMD3-277	Cover series #13061262 and down cancel series # 13091263 and up		1
278	JMD3-278	Spacer series #13061262 and down cancel series # 13091263 and up		1
279	JMD3-279	Washer series #13091263 and up	10	2
280	JMD3-280	cover series #13091263 and up		1
281	JMD3-281	washer series #13091263 and up	4	10
282	JMD3-282	nut series #13091263 and up	M4	10
283	JMD3-283	screw series #13091263 and up	M4X6	12
284	JMD3-284	nut series #13091263 and up	M6	1
285	JMD3-285	washer series #13091263 and up		1
286	JMD3-286	support board series #13091263 and up		1
287	JMD3-287	screw series #13091263 and up	M4x12	2
288	JMD3-288	connect board series # 13091263 and up		1
289	JMD3-289	screw series #13091263 and up	M4x16	1
290	JMD3-290	lock connect series # 13091263 and up	M12	1
291	JMD3-291	limit switch series #13091263 and up		1
292	JMD3-292	screw series # 13091263 and up	M4X30	2
293	JMD3-293	screw series #13091263 and up	M4X6	1
294	JMD3-294	Spacer series #13091263 and up		1
295	JMD3-295	rotary shift series #13091263 and up		1
296	JMD3-296	outside cover series #13091263 and up		1
297	JMD3-297	stop block series # 13091263 and up		1
298	JMD3-298	Magnet block series # 13091263 and up		1
299	JMD3-299	screw series #13091263 and up	M5x20	2
300	JMD3-300	Keyless Chuck 1-13mm		1
301	JMD3-301	inner protect cover set series #13091263 and up		1

Part List for JMD-3 / JMD-3T / JMD-3T DRO Milling Drilling Center

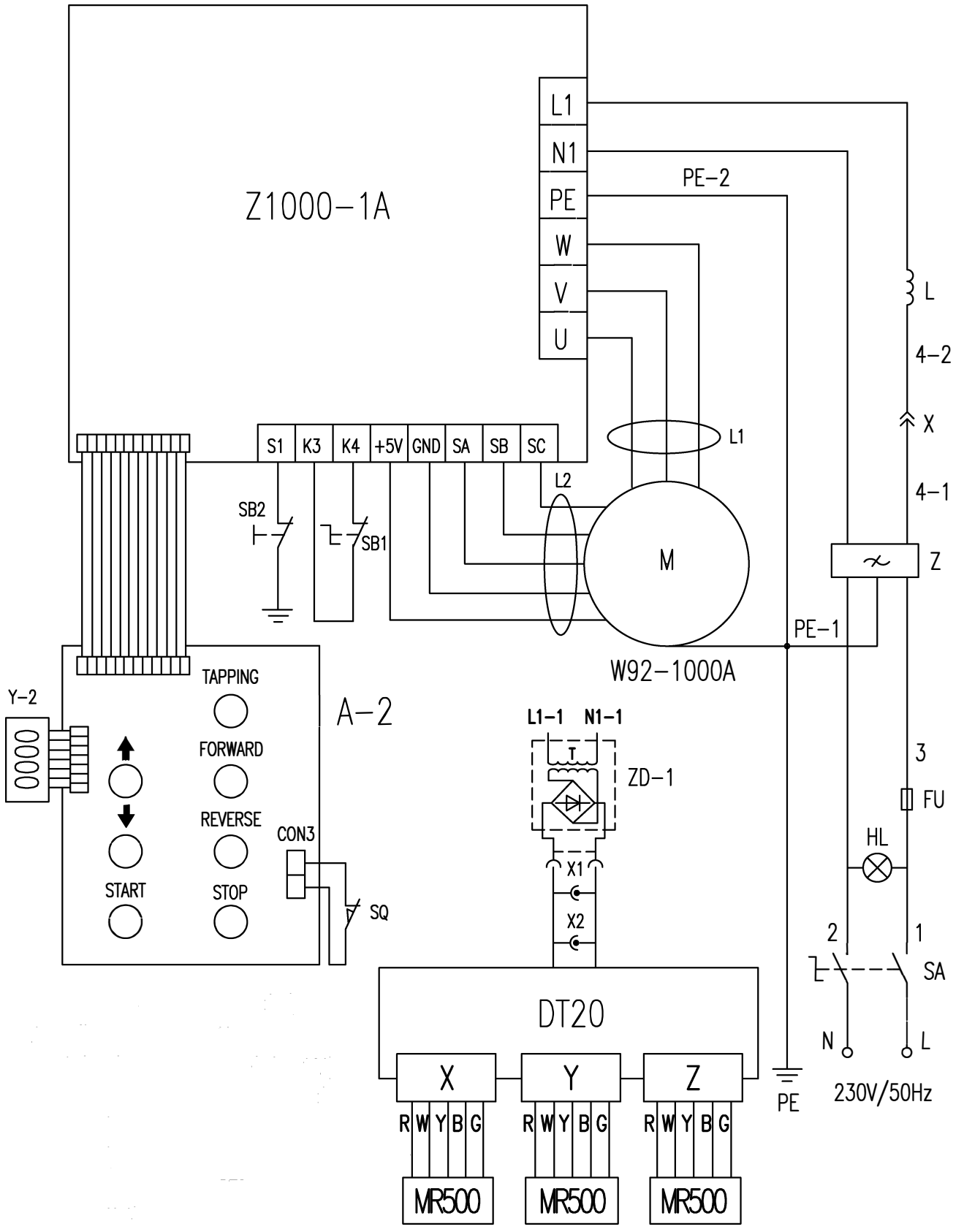
No.	Part no.	Description	Size	Qty.
302	JMD3-302	washer series #13091263 and up		1
303	JMD3TDRO-303	Screw for JMD-3T DRO	M3X14	6
304	JMD3TDRO-304	Reader (with scraper) for JMD-3T DRO		3
305	JMD3TDRO-305	X axis magnetic scale kits for JMD-3T DRO		1
306	JMD3TDRO-306	Screw for JMD-3T DRO	M3X10	4
307	JMD3TDRO-307	Y axis magnetic scale kits for JMD-3T DRO		1
308	JMD3TDRO-308	Cushion block for magnetic head for JMD-3T DRO		2
309	JMD3TDRO-309	Hexagon socket head cap screws for JMD-3T DRO	M4X30	4
310	JMD3TDRO-310	Hexagon socket head cap screws for JMD-3T DRO	M4X8	2
311	JMD3TDRO-311	Bracket for Y axis magnetic scale for JMD-3T DRO		1
312	JMD3TDRO-312	Washer for JMD-3T DRO		2
313	JMD3TDRO-313	Screw for JMD-3T DRO	M3X30	2
314	JMD3TDRO-314	Z axis magnetic scale kits for JMD-3T DRO		1
315	JMD3TDRO-315	Fixing seat for magnetic head for JMD-3T DRO		1
316	JMD3TDRO-316	Digital display for JMD-3T DRO		1
317	JMD3TDRO-317	Cushion block for magnetic head for JMD-3T DRO		1
318	JMD3TDRO-318	Fixing seat for magnetic head for JMD-3T DRO		2
319	JMD3TDRO-319	Hexagon socket head cap screws for JMD-3T DRO	M4X20	2

Standard Accessories List for JMD-3 / JMD-3T / JMD-3T DRO Milling/Drilling Cen

No.	Part no.	Description	Size	Qty.
1	JMD3-ACC-01	L hex wrench	8mm	1
2	JMD3-ACC-02	L hex wrench	3,4,5,6mm	each 1
3	JMD3-ACC-03	Double end wrench	8x10	1
4	JMD3-ACC-04	Double end wrench	12x14	1
5	JMD3-ACC-05	Double end wrench	17x19	1
6	JMD3-156	Adjust bolt		4
	JMD3-157	Nut		4
7	JMD3-ACC-07	Slanting wedge		1
8	JMD3-ACC-08	Fuse	10A	1
9	JMD3-ACC-09	T nut		6
10	JMD3-ACC-10	Oil can		1
11	JMD3-ACC-11	U wrench		1
12	JMD3TDRO-ACC-1	Nylon strip		10



JMD-3.....5000050M.....1~230V,50Hz
JMD-3T.....5000050LM...1~230V,50Hz
JMD-3T DRO...50000549M.....1~230V,50Hz



Electric Elements Part List for JMD-3 / JMD-3T / JMD-3T DRO Milling Drilling Center

Part No.	Code of elements	Description	Type
JMD3-217	Z1000-1A	Main PC board	Z1000-1
JMD3-027	A-2	Touch panel	
JMD3-291	SQ	Micro switch	QKS7
JMD3-068	M	Brushless DC motor	W92-1000A
JMD3-026A	SB1	Emergency switch	HY57B
JMD3-SB2	SB2	Tapping button	
JMD3-025	HL	Yellow lamp	
JMD3TDRO-304	MR500	Reader	MR500
JMD3-218	SA	Power switch	
JMD3-051	Y-2	LCD pannel	
JMD3-FU	FU	Fuse	10A
JMD3-ZD1	ZD-1	DC power panel	
JMD3-217-1	Z	Filter	
JMD3-L1	L1, L2	Magnet ring	
JMD3TDRO-316	DT20	Display	DT20
JMD3-L	L	Reactor	