

JET

JUTM-1834 Servo DRO

Milling Machine

50000853T 3~400V 50Hz

PARTS LIST

EAC

JPW Tool Group Hong Kong Limited

98 Granville Road, Tsimshatsui East, Kowloon, Hong Kong, PRC
www.jettools.com

Импортер в РФ: ООО «ИТА Технолджи»

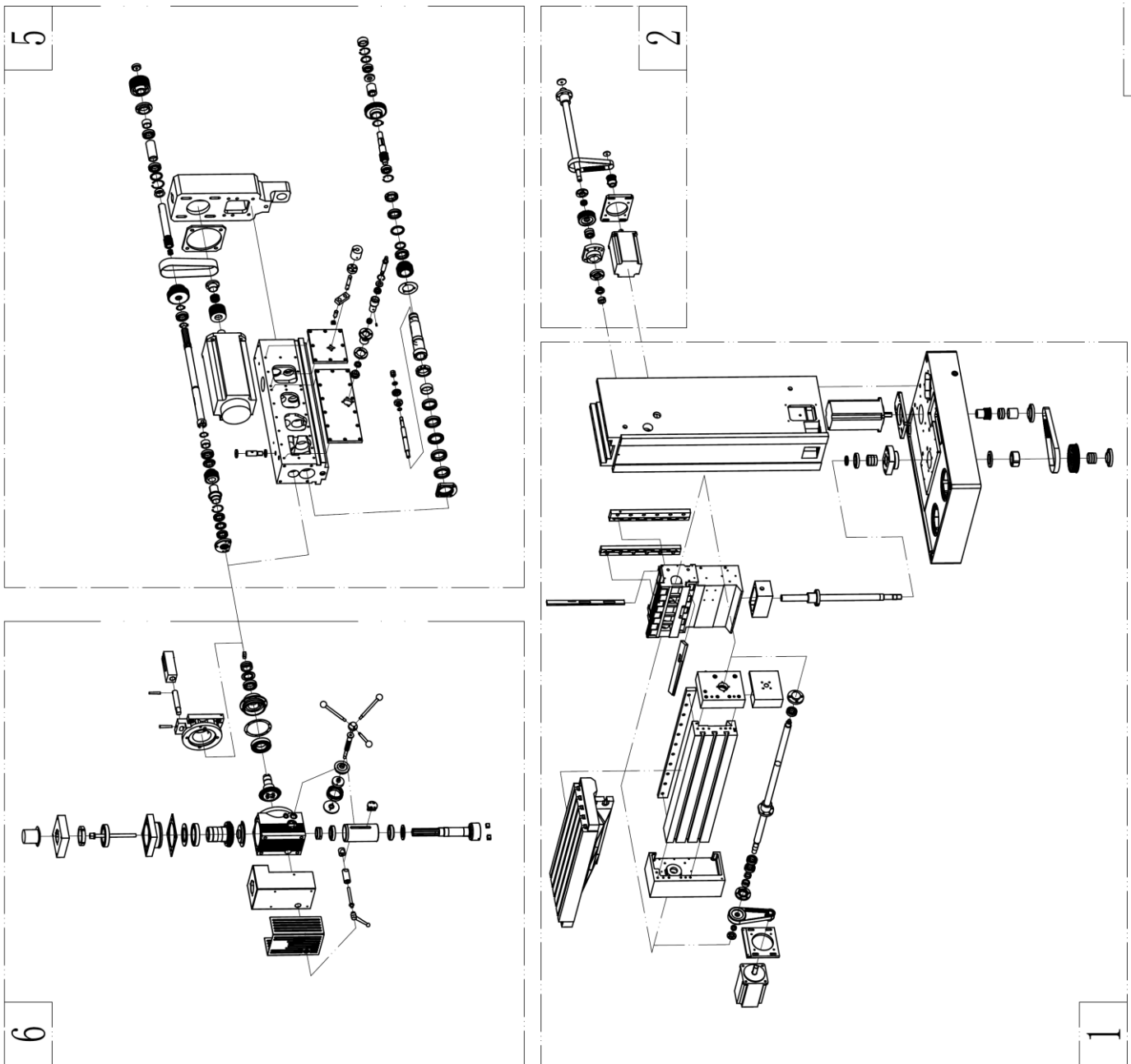
105082, Москва, Переведеновский пер., д. 17
www.jettools.ru

Made in PRC / Сделано в КНР

M/P- 50000853T

2022-09

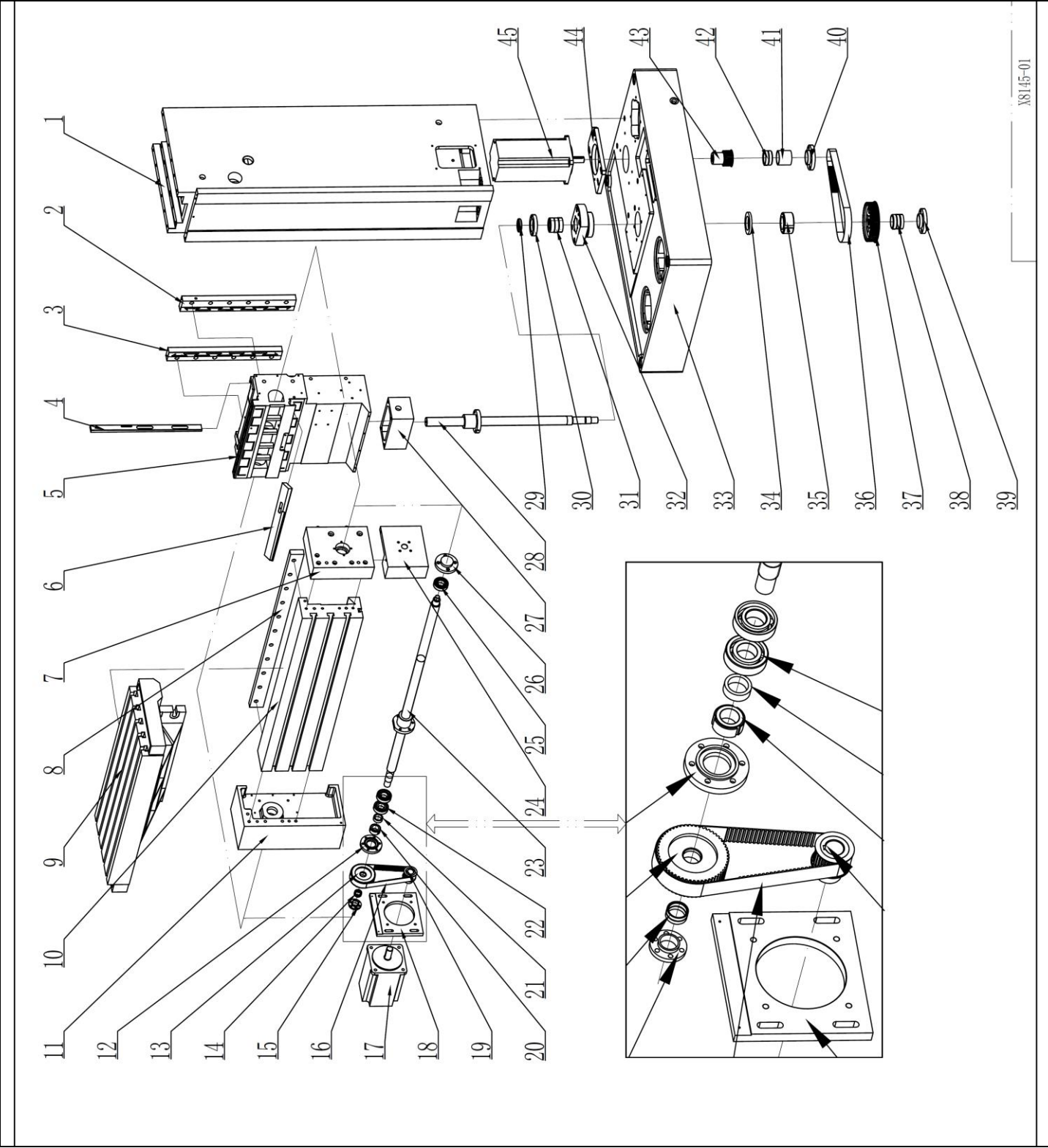
Exploded View for JUTM-1834 Servo DRO Milling Machine –OVERVIEW



JUTM-1834 Servo DRO –OVERVIEW

Index No.	Part No.	Description	Size	Qty
1	JUTM1834-01	Boby Part		1
2	JUTM1834-02	Cross Feed Part		1
5	JUTM1834-05	Ram Part		1
6	JUTM1834-06	Head Part		1

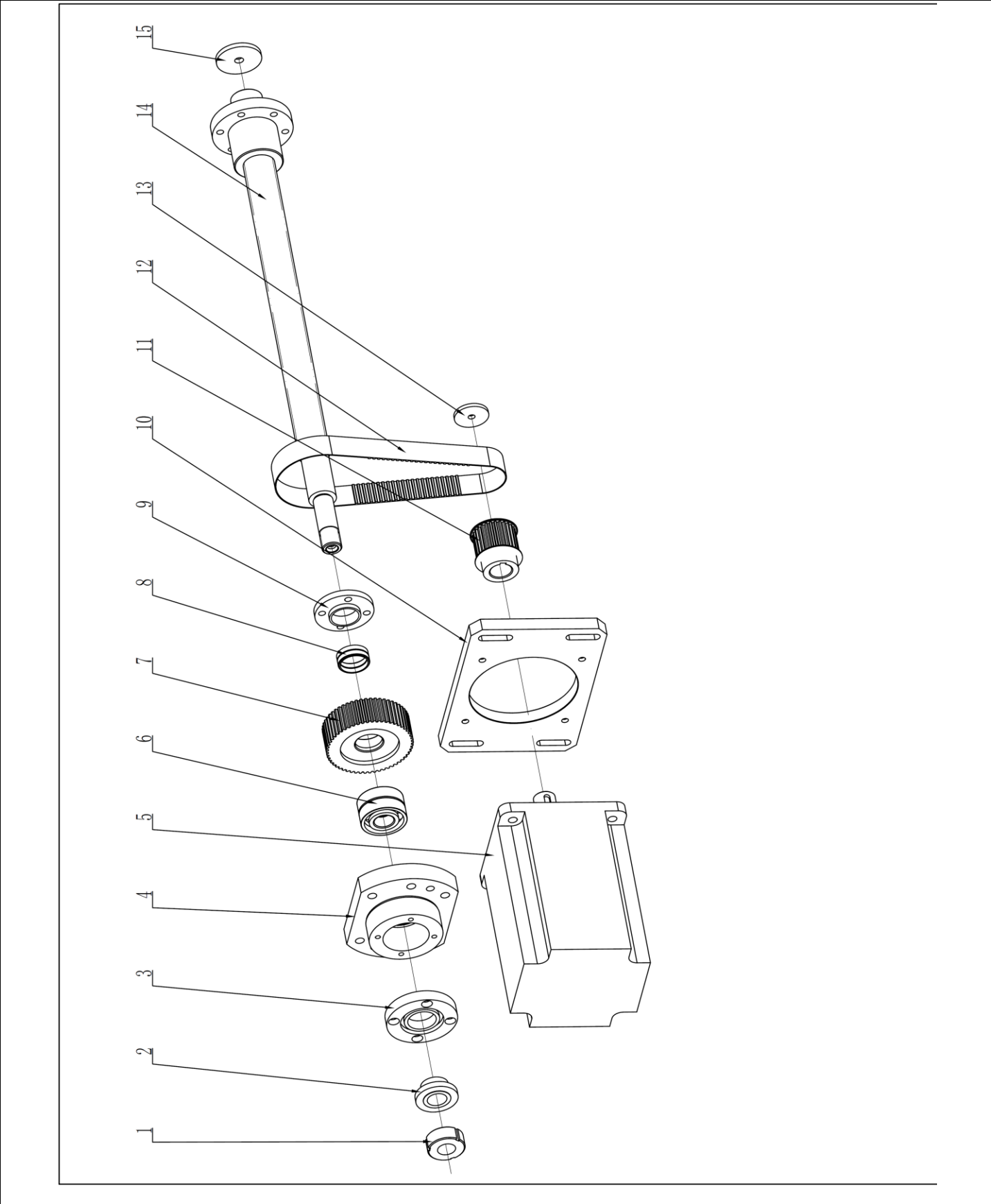
Exploded View for JUTM-1834 Servo DRO Milling Machine –Body Part Assembly 01



Part List for JUTM-1834 Servo DRO Milling Machine – Body Part Assembly 01

Index No.	Part No.	Description	Size	Qty
1	JUTM1834-01-01	body		1
2	JUTM1834-01-02	Press plate		1
3	JUTM1834-01-03	Press plate		1
4	JUTM1834-01-04	Gob		1
5	JUTM1834-01-05	base		1
6	JUTM1834-01-06	gib		1
7	JUTM1834-01-07	base		1
8	JUTM1834-01-08	gib		1
9	JUTM1834-01-09	worktable		1
10	JUTM1834-01-10	worktable		1
11	JUTM1834-01-11	base		1
12	JUTM1834-01-12	lid		1
13	JUTM1834-01-13	Synchronous pulley		1
14	JUTM1834-01-14	Taper-lock		2
15	JUTM1834-01-15	lid		1
16	JUTM1834-01-16	Synchronous belt		1
17	JUTM1834-01-17	motor		1
18	JUTM1834-01-18	lid		1
19	JUTM1834-01-19	Synchronous pulley		1
20	JUTM1834-01-20	nut		1
21	JUTM1834-01-21	sheath		1
22	JUTM1834-01-22	bearing	7602030TN	1
23	JUTM1834-01-23	Lead screw		1
24	JUTM1834-01-24	base		1
25	JUTM1834-01-25	bearing	6206-2RS	1
26	JUTM1834-01-26	Lid		1
27	JUTM1834-01-27	base		1
28	JUTM1834-01-28	Lead screw		1
29	JUTM1834-01-29	Seal ring		1
30	JUTM1834-01-30	Lid		1
31	JUTM1834-01-31	bearing	7602030TN	1
32	JUTM1834-01-32	base		1
33	JUTM1834-01-33	base		1
34	JUTM1834-01-34	sheath		1
35	JUTM1834-01-35	nut		1
36	JUTM1834-01-36	Synchronous belt		1
37	JUTM1834-01-37	Synchronous pulley		1
38	JUTM1834-01-38	Taper-lock		3
39	JUTM1834-01-39	Lid		1
40	JUTM1834-01-40	Lid		1
41	JUTM1834-01-41	sheath		1
42	JUTM1834-01-42	Taper-lock		1
43	JUTM1834-01-43	Synchronous pulley		1
44	JUTM1834-01-44	plate		1
45	JUTM1834-01-45	motor		1

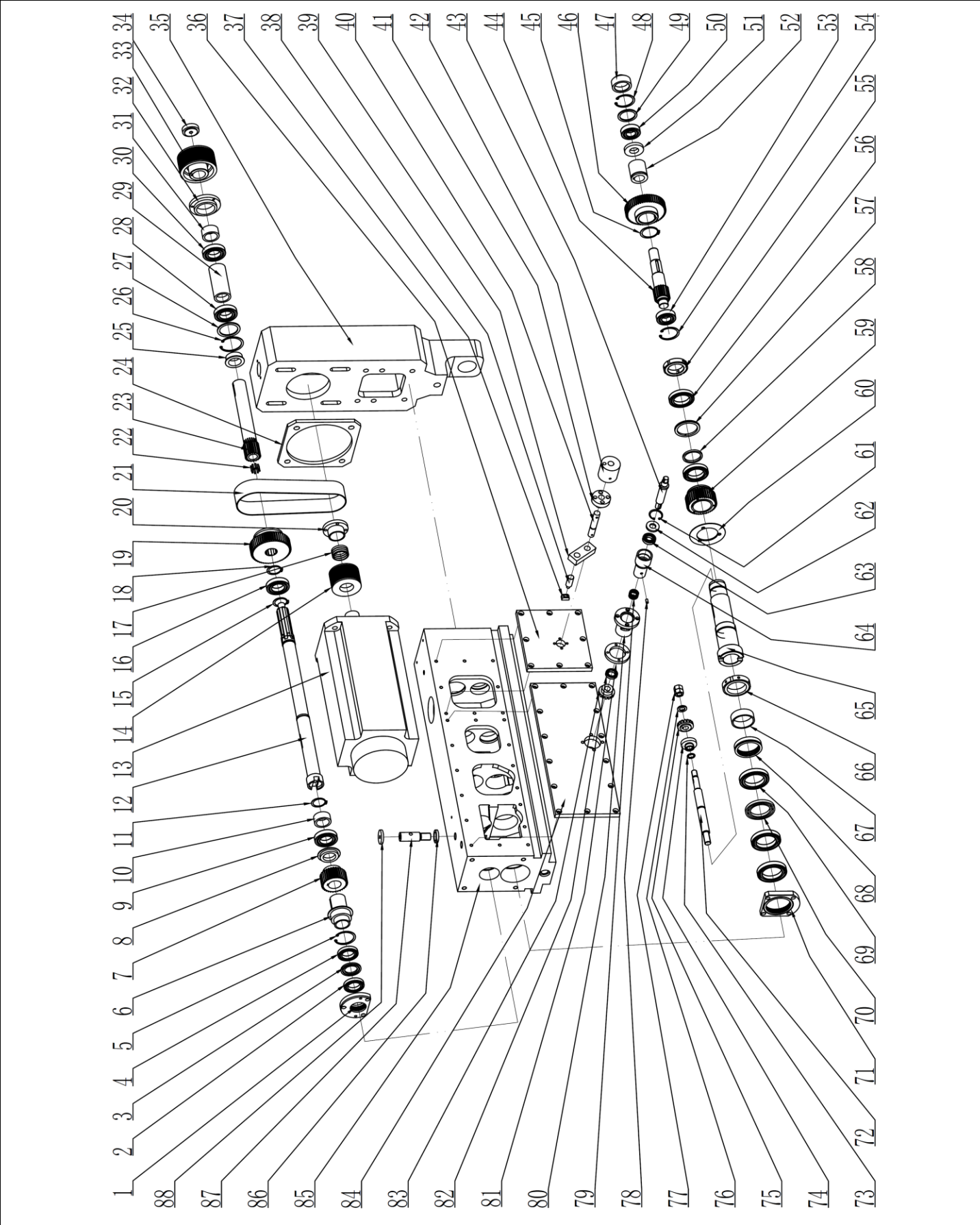
Exploded View for JUTM-1834 Servo DRO Milling Machine – Cross Feed Assembly 02



Part List for JUTM-1834 Servo DRO Milling Machine – Cross Feed Assembly 02

Index No.	Part No.	Description	Size	Qty
1	JUTM1834-02-01	Nut		1
2	JUTM1834-02-02	Sheath		1
3	JUTM1834-02-03	Sheath		1
4	JUTM1834-02-04	Lid		1
5	JUTM1834-02-05	Motor		1
6	JUTM1834-02-06	Bearing	7602025TN	1
7	JUTM1834-02-07	Synchronous Pulley		1
8	JUTM1834-02-08	Taper-Lock		1
9	JUTM1834-02-09	Lid		1
10	JUTM1834-02-10	Plate		1
11	JUTM1834-02-11	Synchronous Pulley		1
12	JUTM1834-02-12	Synchronous Belt		1
13	JUTM1834-02-13	Lid		1
14	JUTM1834-02-14	Lead Screw		1
15	JUTM1834-02-15	Lid		1

Exploded View for JUTM-1834 Servo DRO Milling Machine –Ram Assembly 05

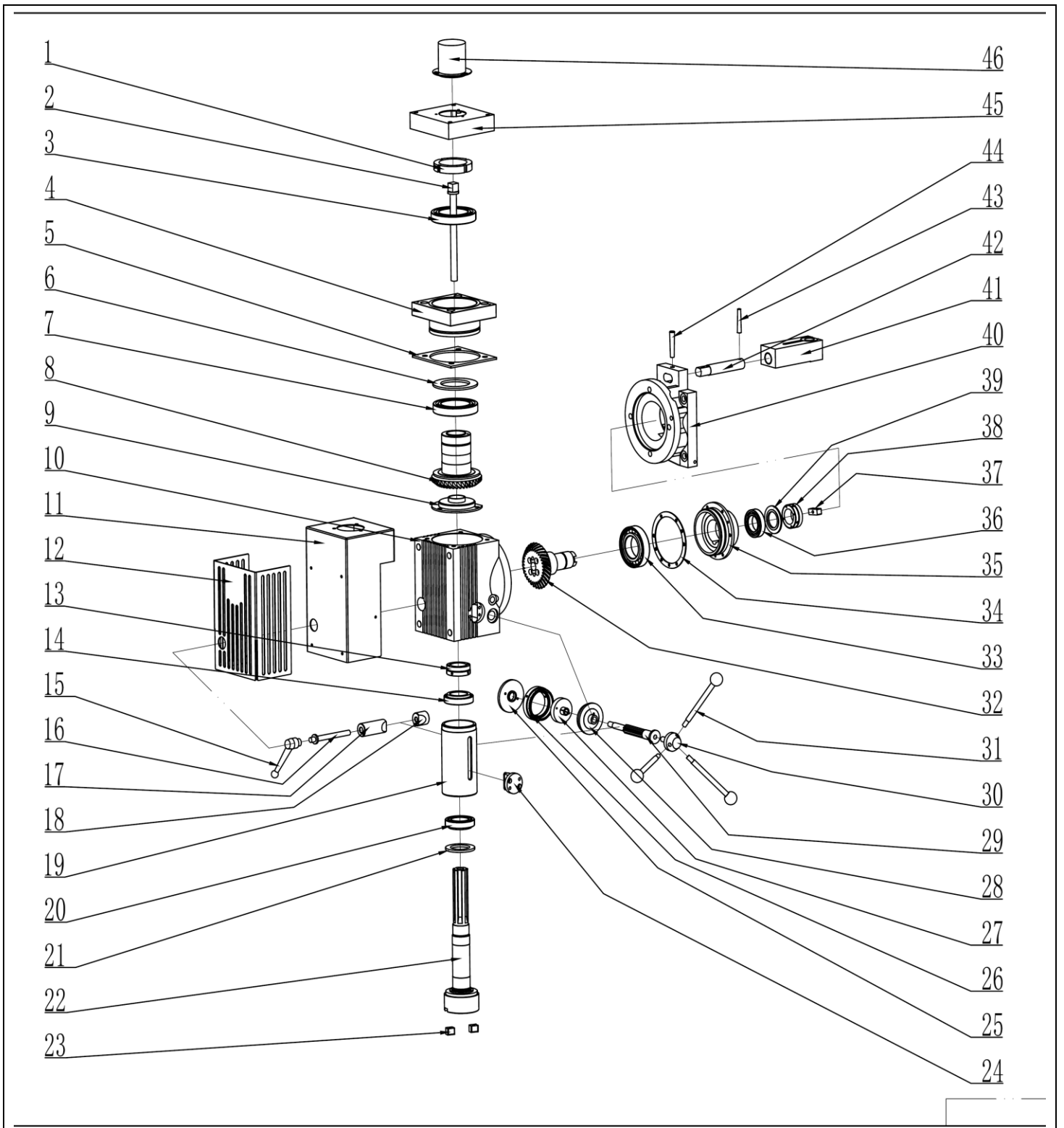


Part List for JUTM-1834 Servo DRO Milling Machine – Ram Assembly 05

Index No.	Part No.	Description	Size	Qty
1	JUTM1834-05-01	Lid		1
2	JUTM1834-05-02	bearing	61908-Z	1
3	JUTM1834-05-03	sheath		2
4	JUTM1834-05-04	bearing	61908-Z	1
5	JUTM1834-05-05	ring		1
6	JUTM1834-05-06	sheath		1
7	JUTM1834-05-07	gear		1
8	JUTM1834-05-08	sheath		1
9	JUTM1834-05-09	bearing	6008-2Z	1
10	JUTM1834-05-10	sheath		1
11	JUTM1834-05-11	ring		1
12	JUTM1834-05-12	shaft		1
13	JUTM1834-05-13	motor		1
14	JUTM1834-05-14	Belt pulley		1
15	JUTM1834-05-15	ring		1
16	JUTM1834-05-16	bearing	6008-2Z	1
17	JUTM1834-05-17	Taper-lock		1
18	JUTM1834-05-18	ring		1
19	JUTM1834-05-19	Belt pulley		1
20	JUTM1834-05-20	sheath		1
21	JUTM1834-05-21	belt		1
22	JUTM1834-05-22	bearing	K20*26*20	1
23	JUTM1834-05-23	sheath		1
24	JUTM1834-05-24	plate		1
25	JUTM1834-05-25	sheath		1
26	JUTM1834-05-26	ring		1
27	JUTM1834-05-27	sheath		1
28	JUTM1834-05-28	bearing	6207-2LS	1
29	JUTM1834-05-29	sheath		1
30	JUTM1834-05-30	bearing	6207-2LS	1
31	JUTM1834-05-31	sheath		1
32	JUTM1834-05-32	Lid		1
33	JUTM1834-05-33	Belt pulley		1
34	JUTM1834-05-34	sheath		1
35	JUTM1834-05-35	base		1
36	JUTM1834-05-36	plate		1
37	JUTM1834-05-37	block		1
38	JUTM1834-05-38	shaft		1
39	JUTM1834-05-39	plate		1
40	JUTM1834-05-40	shaft		1
41	JUTM1834-05-41	base		1
42	JUTM1834-05-42	sheath		1
43	JUTM1834-05-43	shaft		1

44	JUTM1834-05-44	shaft		1
45	JUTM1834-05-45	ring		1
46	JUTM1834-05-46	gear		1
47	JUTM1834-05-47	sheath		1
48	JUTM1834-05-48	ring		1
49	JUTM1834-05-49	Lid		1
50	JUTM1834-05-50	bearing	6206-2LS	1
51	JUTM1834-05-51	sheath		1
52	JUTM1834-05-52	sheath		1
53	JUTM1834-05-53	bearing	6206-2LS	1
54	JUTM1834-05-54	ring		1
55	JUTM1834-05-55	nut		1
56	JUTM1834-05-56	bearing	7010ACTA/DB	1
57	JUTM1834-05-57	sheath		1
58	JUTM1834-05-58	sheath		1
59	JUTM1834-05-59	gear		1
60	JUTM1834-05-60	Oil flinger		1
61	JUTM1834-05-61	ring		1
62	JUTM1834-05-62	sheath		1
63	JUTM1834-05-63	bearing	16003	1
64	JUTM1834-05-64	sheath		1
65	JUTM1834-05-65	shaft		1
66	JUTM1834-05-66	nut		1
67	JUTM1834-05-67	sheath		1
68	JUTM1834-05-68	sheath		1
69	JUTM1834-05-69	bearing	7013ACTA/TBT	1
70	JUTM1834-05-70	sheath		2
71	JUTM1834-05-71	base		1
72	JUTM1834-05-72	shaft		1
73	JUTM1834-05-73	sheath		1
74	JUTM1834-05-74	sheath		1
75	JUTM1834-05-75	gear		1
76	JUTM1834-05-76	sheath		1
77	JUTM1834-05-77	nut		2
78	JUTM1834-05-78	shaft		1
79	JUTM1834-05-79	spring		1
80	JUTM1834-05-80	sheath		1
81	JUTM1834-05-81	sheath		1
82	JUTM1834-05-82	bearing	61804-2Z	1
83	JUTM1834-05-83	gear		1
84	JUTM1834-05-84	plate		1
85	JUTM1834-05-85	box		1
86	JUTM1834-05-86	sheath		1
87	JUTM1834-05-87	shaft		1
88	JUTM1834-05-88	sheath		1

Exploded View for JUTM-1834 Servo DRO Milling Machine –Head Assembly 06

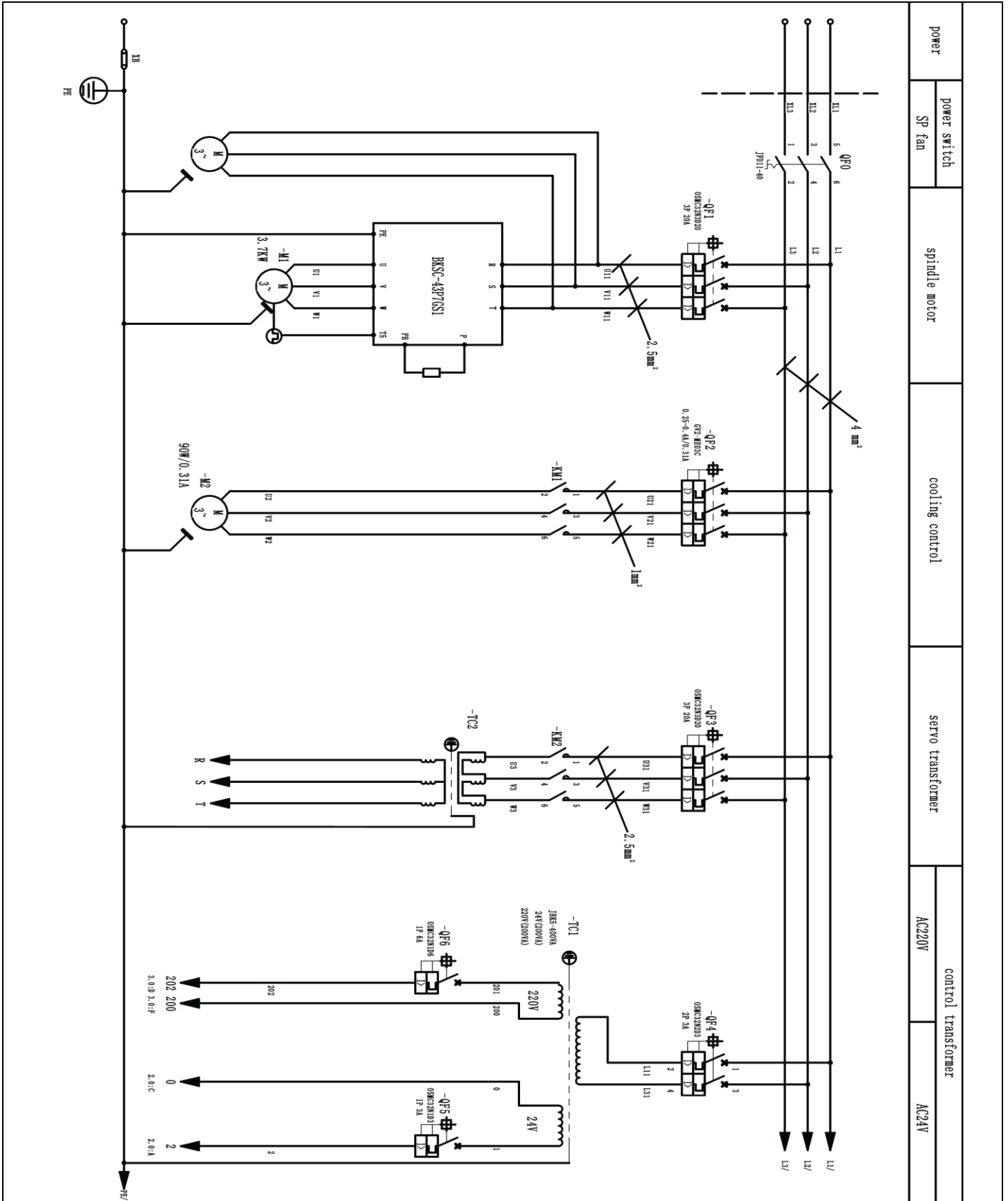


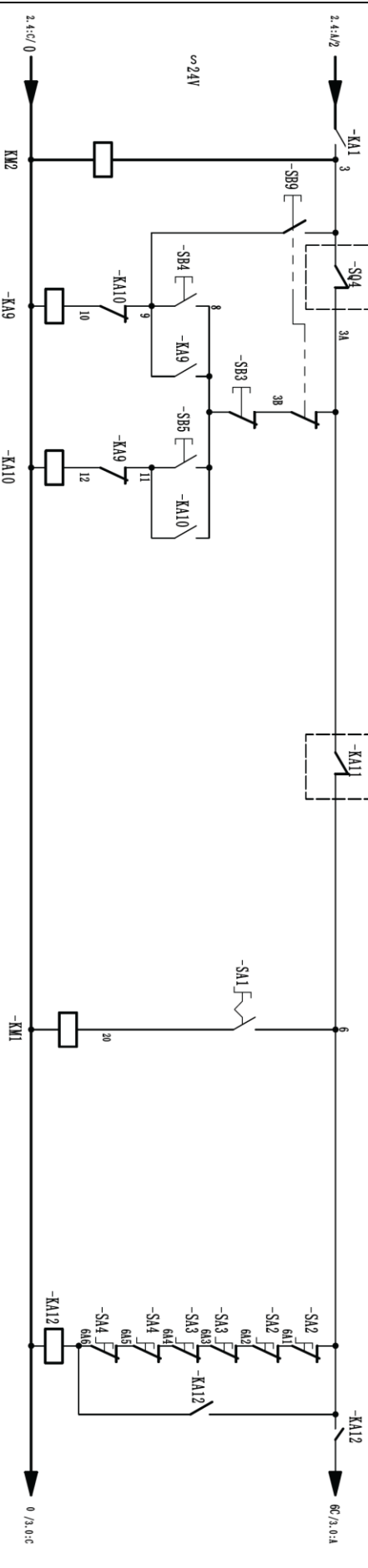
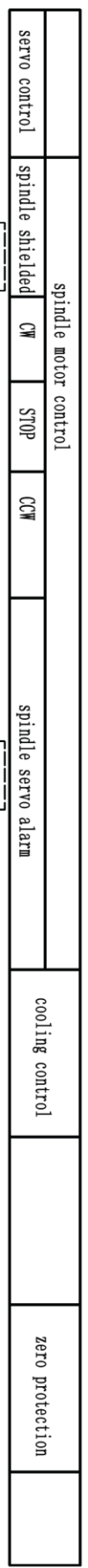
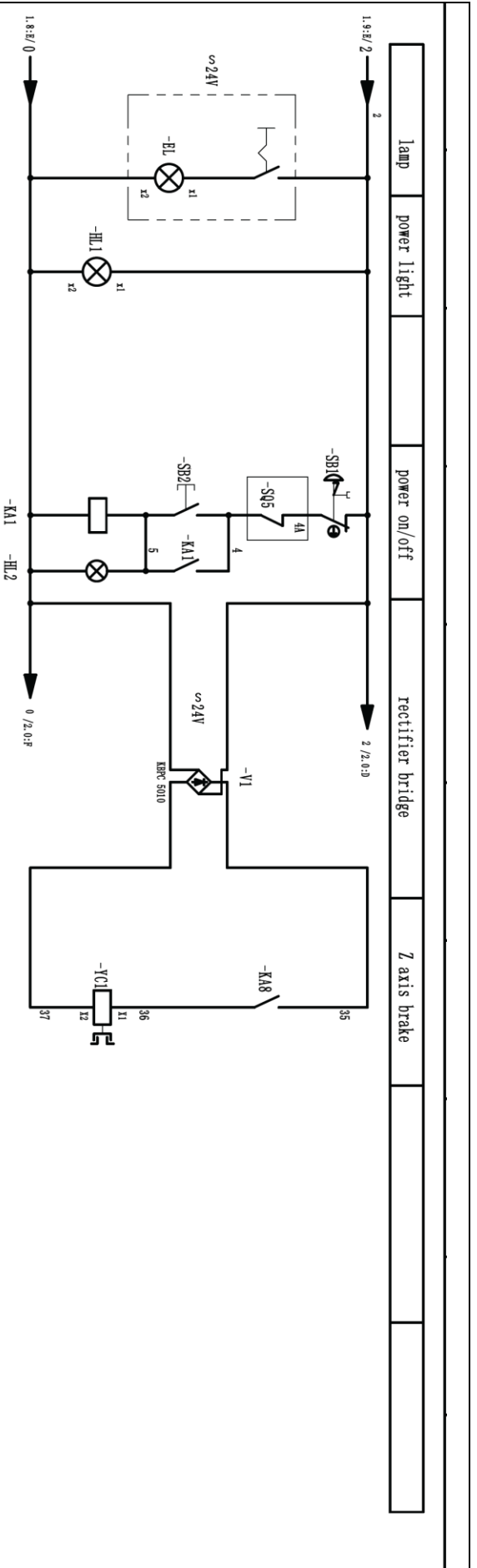
Part List for JUTM-1834 Servo DRO Milling Machine – Head Assembly 06

Index No.	Part No.	Description	Size	Qty
1	JUTM1834-06-01	Nut		1
2	JUTM1834-06-02	Draw Bar		1
3	JUTM1834-06-03	Bearing	6016/2Z GB/T276	1
4	JUTM1834-06-04	Base		1
5	JUTM1834-06-05	Plate		1
6	JUTM1834-06-06	Cushion		1
7	JUTM1834-06-07	Bearing	6016/2Z GB/T276	1
8	JUTM1834-06-08	Gear		1
9	JUTM1834-06-09	Sheath		1
10	JUTM1834-06-10	Box		1
11	JUTM1834-06-11	Cover		1
12	JUTM1834-06-12	Cover		1
13	JUTM1834-06-13	Nut		1
14	JUTM1834-06-14	Bearing	32010/P6 GB/T297	1
15	JUTM1834-06-15	Handle		1
16	JUTM1834-06-16	Shaft		1
17	JUTM1834-06-17	Shaft		1
18	JUTM1834-06-18	Shaft		1
19	JUTM1834-06-19	Sheath		1
20	JUTM1834-06-20	Bearing	32010/P6 GB/T297	1
21	JUTM1834-06-21	Cushion		1
22	JUTM1834-06-22	Spindle		1
23	JUTM1834-06-23	Key		1
24	JUTM1834-06-24	Guide Block		1
25	JUTM1834-06-25	Sheath		1
26	JUTM1834-06-26	Sheath		1
27	JUTM1834-06-27	Sheath		1
28	JUTM1834-06-28	Sheath		1
29	JUTM1834-06-29	Shaft		1
30	JUTM1834-06-30	Base		1
31	JUTM1834-06-31	Pole		1
32	JUTM1834-06-32	Gear		1
33	JUTM1834-06-33	Bearing	71212C/P5 GB/T292	1
34	JUTM1834-06-34	Cushion		1
35	JUTM1834-06-35	Base		1
36	JUTM1834-06-36	Bearing	6010/2Z GB/T276	1
37	JUTM1834-06-37	Key		1
38	JUTM1834-06-38	Nut		1
39	JUTM1834-06-39	Sleeve		1
40	JUTM1834-06-40	Base		1
41	JUTM1834-06-41	Base		1
42	JUTM1834-06-42	Shaft		1
43	JUTM1834-06-43	Pin		1
44	JUTM1834-06-44	Pin		1
45	JUTM1834-06-45	Cap		1
46	JUTM1834-06-46	Cover		1

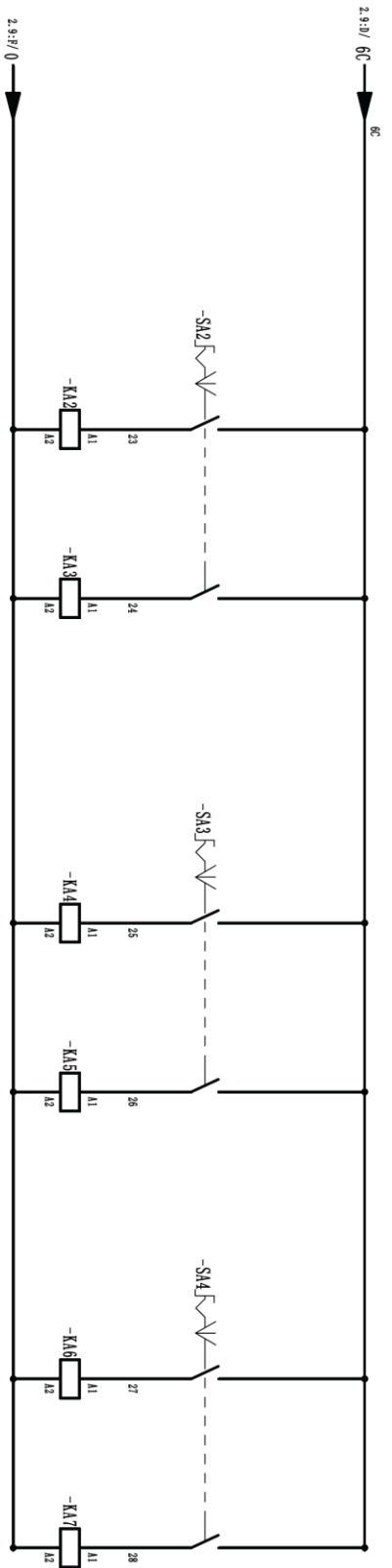
Wiring Diagram for JUTM-1834 Servo DRO

50000853T 3~400V 50Hz

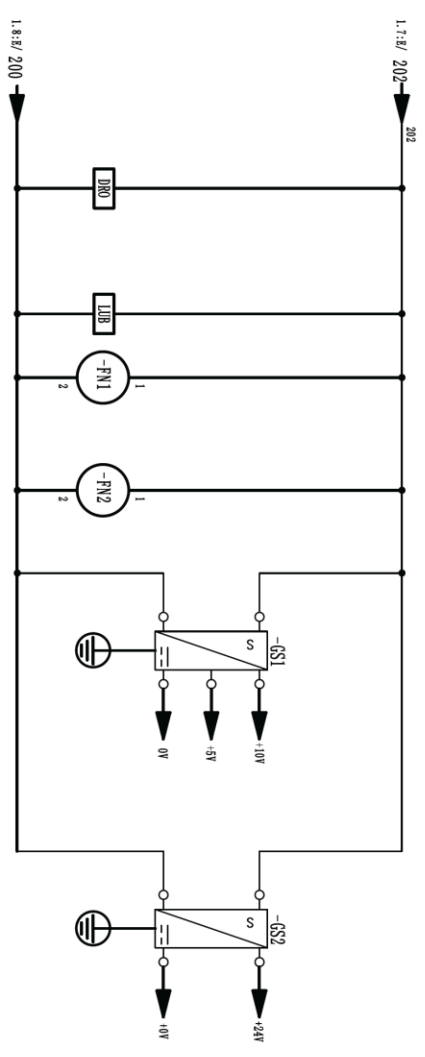




	X axis CW	X axis CCW	Y axis CW	Y axis CCW	Z axis CW	Z axis CCW
--	-----------	------------	-----------	------------	-----------	------------

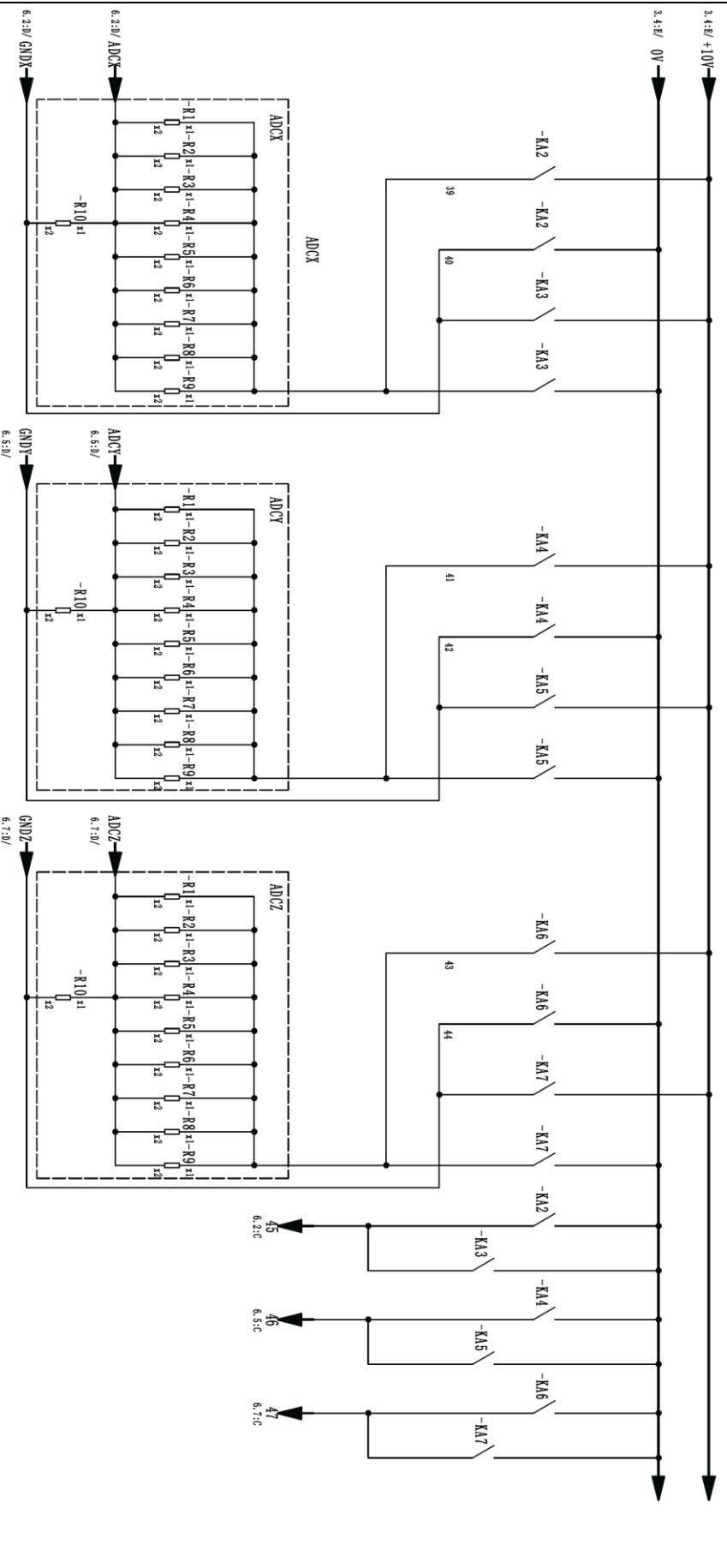


DR0	Lubricant pump axial flow fan	switch power control	
-----	-------------------------------	----------------------	--



1.7:R/202	202					
1.8:R/200						

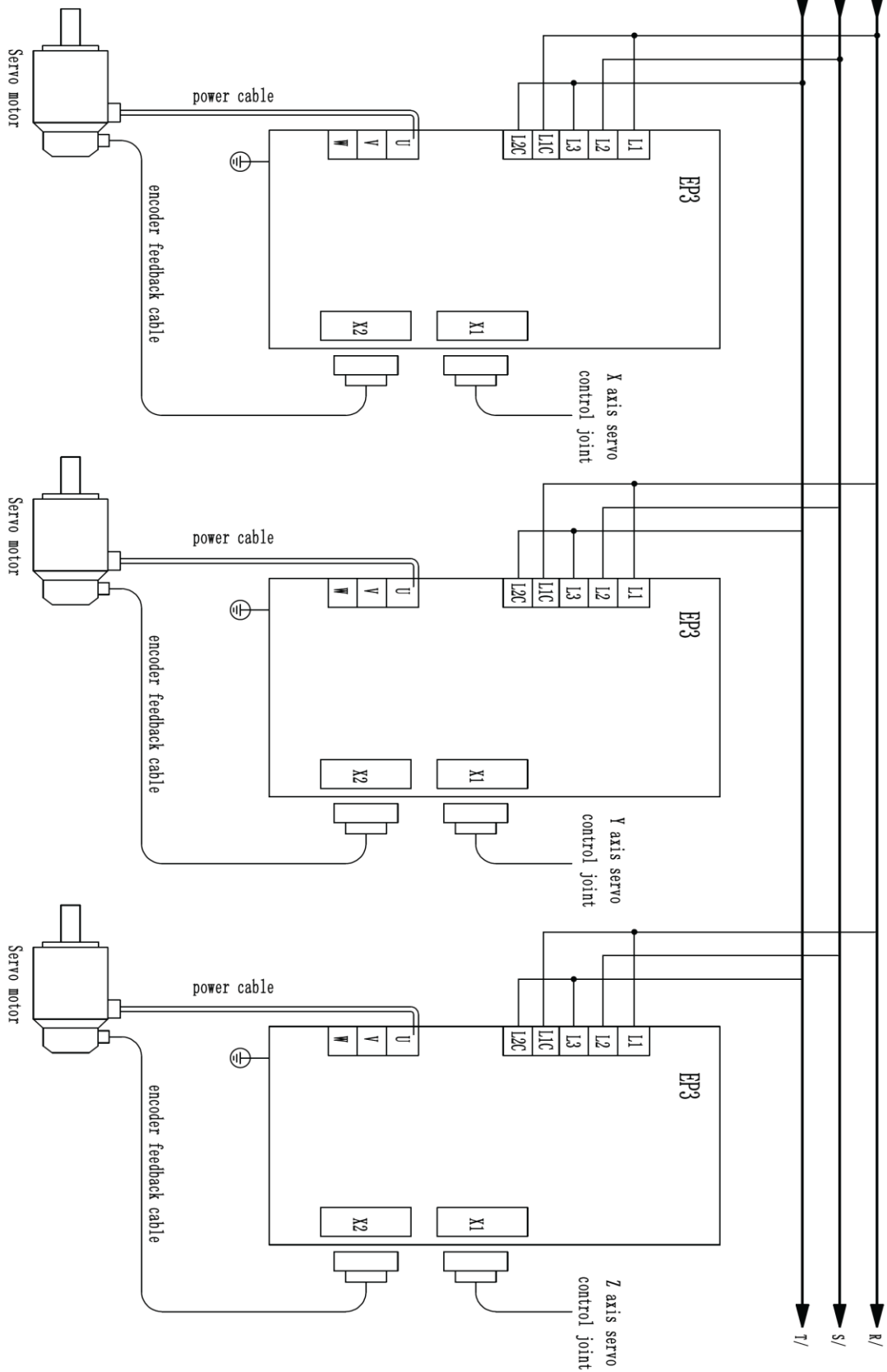
X axis CW	Y axis CCW	Y axis CW	Y axis CCW	Z axis CW	Z axis CCW	X axis	Y axis	Z axis
-----------	------------	-----------	------------	-----------	------------	--------	--------	--------



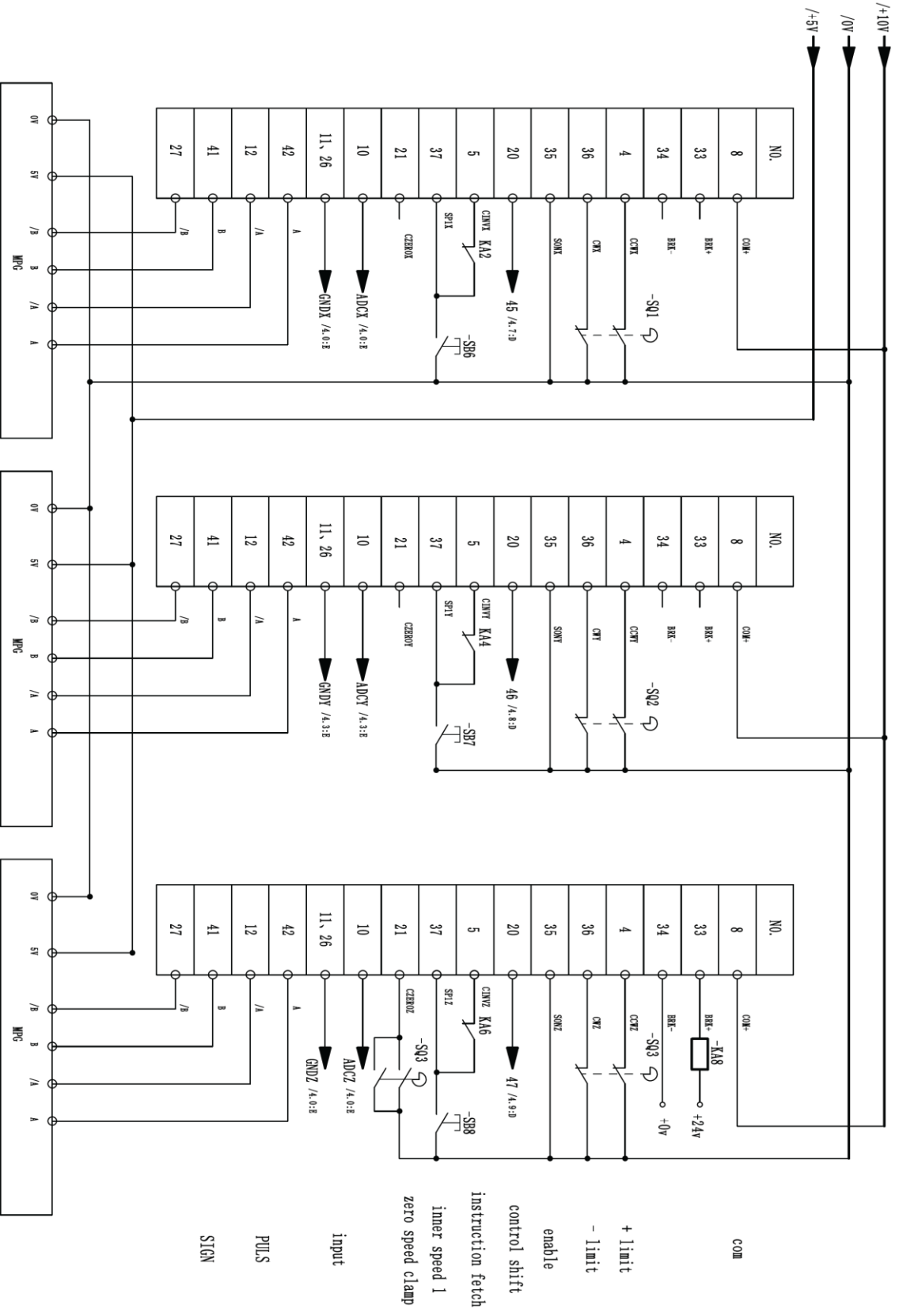
45 6.23c
46 6.53c
47 6.73c

X axis servo control Y axis servo control Z axis servo control

L1&R / R
L1&S / S
L1&T / T



Y axis		Y axis		Z axis		function
driver	code	driver	code	driver	code	
power		power		power		



COM

+ limit

- limit

enable

control shift

instruction fetch

inner speed 1

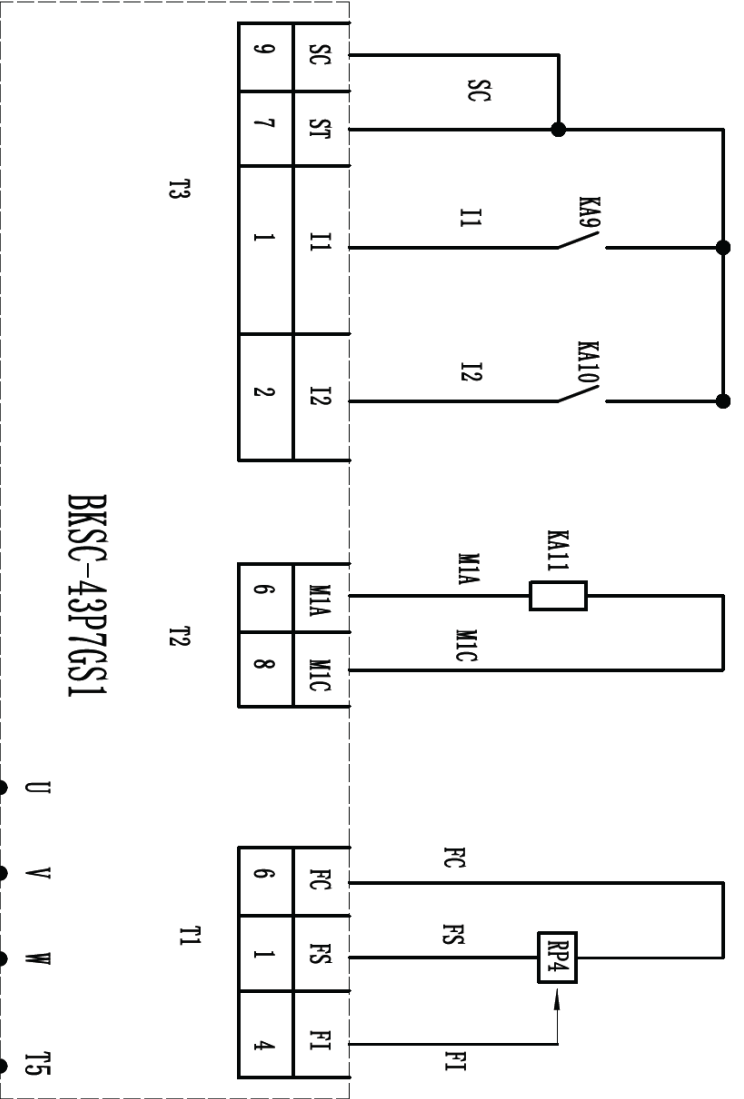
zero speed clamp

input

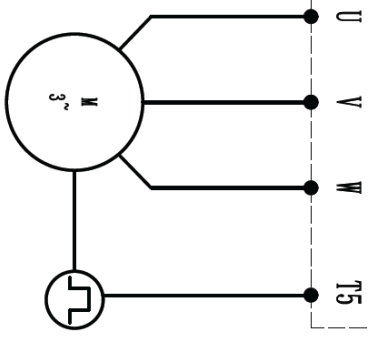
PULS

STCN

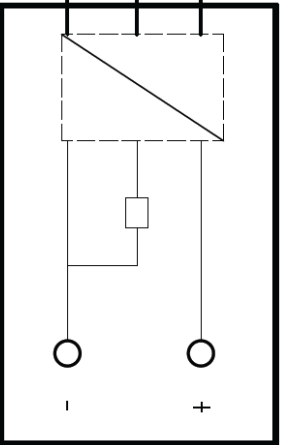
	SON	CW	CCW	alarm	RP4	
--	-----	----	-----	-------	-----	--



BKSC-43P7GS1



Switch



BR0

BLA

BLU

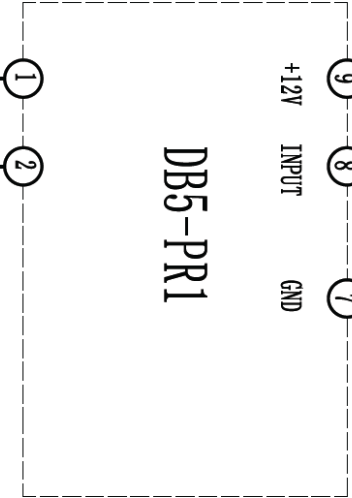
9

8

7

+12V
INPUT
GND

DB5-PR1



220V

0

Packing List --Main machine, Accessories and tools

No.	Description	Specification	Qty.	Remarks
1.Main machine				
1	Main machine(including 3-axis digital scale, digital box)		1set	
2. Technical documents				
1	Operating Manual (Mechanical part)		1copy	
2	Operating Manual (Electrical part)		1copy	
3	Certificate of Quality		1copy	
4	Packing List		1copy	
3. Accessories				
1	Allen key	5、 6、 8、 10、 12	1 for each	
2	Double-headed wrench	17x19	1pce	
4	Adjustable sleeve	MT1、 MT2、 MT3	1 for each	
5	Cutter bar for horizontal milling	16、 22、 27、 32	1 for each	
6	Rack beam		1set	
7	Ram crank		1pce	
8	Damping cushion	M20x180	4 pcs	
9	Oil gun		1	