



**GH-2640 ZH DRO RFS-  
GH-26120 ZH DRO RFS**

**METAL LATHE**

**50000780T-50000795T  
400/50/3**

## **PARTS LIST**



**JPW Tool Group Hong Kong Limited**

98 Granville Road, Tsimshatsui East, Kowloon, Hong Kong, PRC  
[www.jettools.com](http://www.jettools.com)

**Импортер в РФ: ООО «ИТА Технолоджи»**

105082, Москва, Переведеновский пер., д. 17  
[www.jettools.ru](http://www.jettools.ru)

Made in PRC / Сделано в КНР

## Table of Contents

Table of Contents .....	2
Bed Assembly I.....	3-7
Bed Assembly II.....	8-11
Headstock Assembly I .....	12-14
Headstock Assembly II .....	15-17
Headstock Assembly III .....	18-19
Headstock Assembly IV.....	20-22
Headstock Assembly V.....	23-25
Gear Assembly .....	26
Gear Box Assembly I.....	27-28
Gear Box Assembly II.....	29-31
Gear Box Assembly III.....	32-34
Micro Carriage Stop Assembly .....	35-36
Small Carriage Stop.....	37
Brake Assembly .....	38-40
Carriage Assembly I .....	41-43
Carriage Assembly II .....	44-46
Apron Assembly I.....	47-50
Apron Assembly II.....	51-54
Apron Assembly III.....	55-57
Apron Assembly IV .....	58-60
Apron Assembly V .....	61-62
Tailstock Assembly I.....	63-64
Tailstock Assembly II .....	65-66
Chuck Guard Assembly .....	67
Tool Post Protection Device .....	68
Lead Screw Guard Assembly .....	69-70
Lead Screw Guard Assembly For GH-26120ZH .....	71-72
Steady Rest Assembly.....	73-74
Follow Rest Assembly .....	75
Coolant & Work Light Assembly .....	76
Carriage Lubrication– Parts List .....	77
Toolbox, Accessories, and Attachments .....	78
Electrical Components.....	79
Electrical Diagram.....	80
Electrical Components-Parts List.....	81
Digital Scale Units.....	82
Flexible Stainless Wire Woven Tube .....	83

## Bed Assembly I

## **Bed Assembly I (for GH-26120ZH only)**

## Bed Assembly I

Index No.	Part No.	Description	Size	Qty.
1	C6266C12701A-G	Splash Guard (For GH-2640ZH only)	1000	1
	C6266C12701B-G	Splash Guard (For GH-2660ZH only)	1500	1
	C6266C12701C-G	Splash Guard (For GH-2680ZH only)	2000	1
	C6266C12701D-G	Splash Guard (For GH-26120ZH only)	3000	1
2	GB70-M8x10	Hex Socket Cap Screw (For GH-2640/60/80ZH)	M8x10	5
2a	GB70-M6x14	Hex Socket Cap Screw (For GH-26120ZH only)	M6x14	6
3	GB97.2-8	Flat Washer (For GH-2640/60/80ZH)	8	5
3a	GB97.2-6	Flat Washer (For GH-26120ZH only)	6	16
4	GB6172-M6	Hexagon Thin Nut (For GH-26120ZH only)	M6	2
5	C6266C01101A-G	Bed (For GH-2640ZH only)	1000	1
	C6266C01101B-G	Bed (For GH-2660ZH only)	1500	1
	C6266C01101C-G	Bed (For GH-2680ZH only)	2000	1
	C6266C01101D-G	Bed (For GH-26120ZH only)	3000	1
6	GB5782-M20x60	Hexagon Head Bolt	M20x60	4
7	C6140W01705	Crossed Head		1
8	C6140W01706	Screw		1
9	C6140W01707	Collar		1
10	GB71-M10x12	Slotted Set Screw	M10x12	1
11	C6140W01709	Sleeve		1
12	GB85-M10x35	Square Set Screw	M10x35	1
12a	GB6172-M10	Hex Nut	M10	1
13	C6140W01104	Crank		1
14	GB118-8x50	Taper Pin	8x50	1
15	C6140W01710	Shaft		2
16	GB91-2x20	Split Pin	2x20	4
17	C6140W01711A	Pulling Rod		1
18	C6266C01106-G	Sleeve		1
19	GB71-M6x16	Slotted Set Screw	M6x16	1
19a	GB6172-M6	Nut	M6	1
20	C6140W01703	Hex Feed Rod (For GH-2640ZH only)		1
	C6266C01703B	Hex Feed Rod (For GH-2660ZH only)		1
	C6266C01703C	Hex Feed Rod (For GH-2680ZH only)		1
	C6266C01703D	Hex Feed Rod (For GH-26120ZH only)		1
21	C6140W01702	Lead Screw (For GH-2640ZH only)		1
	C6266C01702B	Lead Screw (For GH-2660ZH only)		1
	C6266C01702C	Lead Screw (For GH-2680ZH only)		1
	C6266C01702D	Lead Screw (For GH-26120ZH only)		1
22	C6140W01722	Hex Control Rod (For GH-2640ZH only)		1
	C6266C01705B	Hex Control Rod (For GH-2660ZH only)		1
	C6266C01705C	Hex Control Rod (For GH-2680ZH only)		1
	C6266C01705D	Hex Control Rod (For GH-26120ZH only)		1
23	C6140W01724	Sleeve		1
23a	GB879-5x30	Spring Pin	5x30	2
24	C6140W01725	Sleeve		1
25	C6140W01302	Bronze Bushing		1
26	C6140W01301	Bronze Bushing		1
27	C6140W01109-G	Bracket		1
28	GB70-M8x20	Hex Socket Cap Screw	M8x20	1
29	GB70-M10x70	Hex Socket Cap Screw	M10x70	1
30	GB70-M10x25	Hex Socket Cap Screw	M10x25	1

## Bed Assembly I

Index No.	Part No.	Description	Size	Qty.
31	GB118-8x35	Taper Pin	8x35	2
33	GB2672-M6x8	Screw	M6x8	1
34	C6140W01726	Cover (serial #1601ZH0793 and lower)		1
	C6266C01736	Cover (serial #1601ZH0794 and higher)		1
34a	C6266C04A311	Label (serial #1608ZH0809 and lower)		1
	C6266C04A311-1	Label (serial #1608ZH0810 and higher)		1
37	GB118-8x45	Taper Pin (For GH-2640ZH only)	8x45	8
	GB118-8x45	Taper Pin (For GH-2660ZH only)	8x45	10
	GB118-8x45	Taper Pin (For GH-2680ZH only)	8x45	12
	GB118-8x45	Taper Pin (For GH-26120ZH only)	8x45	18
38	GB70-M10x35	Hex Socket Cap Screw (For GH-2640ZH only)	M10x35	8
	GB70-M10x35	Hex Socket Cap Screw (For GH-2660ZH only)	M10x35	10
	GB70-M10x35	Hex Socket Cap Screw (For GH-2680ZH only)	M10x35	12
	GB70-M10x35	Hex Socket Cap Screw (For GH-26120ZH only)	M10x35	18
39	C6266C01704	Rack (For GH-2640ZH only)		1
	C6266C01704	Rack (For GH-2660ZH only)		1
	C6266C01704	Rack (For GH-2680ZH only)		1
	C6266C01704	Rack (For GH-26120ZH only)		1
40	C6140W01719A	Rack (For GH-2640ZH only)		3
	C6140W01719A	Rack (For GH-2660ZH only)		4
	C6140W01719A	Rack (For GH-2680ZH only)		5
	C6140W01719A	Rack (For GH-26120ZH only)		8
41	GB70-M10x85	Hex Socket Cap Screw	M10x85	2
42	C6266C01103	Gap		1
43	GB118-16x60	Taper Pin	16x60	2
44	GB70-M16x50	Hex Socket Cap Screw	M16x50	4
49	C6140W01733	Pin		1
50	GB5782-M20x80	Hex Bolt (Except For GH-26120ZH)	M20x80	8
	GB5782-M20x80	Hex Bolt (For GH-26120ZH only)	M20x80	12
51	GB97.2-20	Flat Washer (Except For GH-26120ZH)	20	8
	GB97.2-20	Flat Washer (For GH-26120ZH only)	20	12
52	GB85-M12x75	Set Screw	M12x75	2
53	C6266C18716-G	Bracket		1
54	GB5781-M8X25	Hex Bolt	M8X25	1
54a	GB6172-M8	Nut	M8	1
55	C6266CLRG40	Rubber Washer (For GH-2640ZH only)		1
	C6266CLRG60	Rubber Washer (For GH-2660ZH only)		1
	C6266CLRG80	Rubber Washer (For GH-2680ZH only)		1
56	C6266CRRG	Rubber Washer (Except For GH-26120ZH)		1
57	GB819-M5x12	Cross Head Screw (For GH-26120ZH only)	M5x12	2
58	C6140W-01721-G	Cover (For GH-26120ZH only)		1
59	GB70-M6x10	Hex Socket Cap Screw (For GH-26120ZH only)	M6x10	10
60	C6266C18702/1650-G	Line Pipe (For GH-26120ZH only)		1
61	C6266C18709	Articulating Sleeve (For GH-26120ZH only)	50x82xR100x1000	2
62	C6266C18711-G	Drag Chain Support (For GH-26120ZH only)		1
63	C6266C18710-G	Drag Chain Support (For GH-26120ZH only)		1
64	C6266C18712	Drag Chain Carriage (For GH-26120ZH only) (serial #1601ZH0793 and lower)		1
	C6266C18712A	Drag Chain Carriage (For GH-26120ZH only) (serial #1601ZH0794 and higher)		1

## Bed Assembly I

Index No.	Part No.	Description	Size	Qty.
65	P3	Flexible Stainless Wire Woven Tube (For GH-2640ZH only)	M33x2M30x2-1.05m	1
	P3	Flexible Stainless Wire Woven Tube (For GH-2660ZH only)	M33x2M30x2-1.50m	1
	P3	Flexible Stainless Wire Woven Tube (For GH-2680ZH only)	M33x2M30x2-1.65m	1
	P3	Flexible Stainless Wire Woven Tube (For GH-26120ZH only)	M33x2M30x2-2.60m	1
66	GB70-M6x12	Hex Socket Cap Screw (For GH-2640/60/80/120ZH)	M6x12	3
67	D93-2-G	Tee Pipe Coupling (For GH-26120ZH only)	M33x2	1
68	C6140W18702/700-G	Line Pipe (For GH-2640ZH only)		1
	C6266C18702/950-G	Line Pipe (For GH-2660ZH only)		1
	C6266C18702/1200-G	Line Pipe (For GH-2680ZH only)		1
69	D93-1-G	Tee Pipe Coupling (For GH-2640/60/80ZH)	M33x2	1
70	C6140W18702/750-G	Line Pipe (For GH-2640ZH only)		1
	C6266C18703/1000-G	Line Pipe (For GH-2660ZH only)		1
	C6266C18703/1250-G	Line Pipe (For GH-2680ZH only)		1
71	D91-4-G	Right Angle Flange Pipe Joint (For GH-2640/60/80ZH)	M33x2	1
72	C0632-01305	Label (serial #1608ZH0809 and lower)		1
	GHB-1340A01301-1	Label (serial #1608ZH0810 and higher)		1
73	GB827-2x3	Rivet	2x3	4
74	ZH-SQ4	Micro Switch	LXW5-11Q1	1
75	C6266C06702	Handle Sleeve (For GH-2640ZH/ GH-2660ZH/ GH-2680ZH only)		1
		.....serial #1907ZH1018 and higher		1
76	C6266C06711D	Control Handle (For GH-2640ZH/ GH-2660ZH/ GH-2680ZH only)		1
		.....serial #1907ZH1018 and higher		1
77	GB117-5x30	Taper Pin (For GH-2640ZH/ GH-2660ZH/ GH-2680ZH only)	5x30	1
		.....serial #1907ZH1018 and higher		1
78	C6266C06710B	Positioning Sleeve (For GH-2640ZH/ GH-2660ZH/ GH-2680ZH only)		1
		.....serial #1907ZH1018 and higher		1
79	GB6172-M8	Hex Nut	M8	1
		.....serial #1907ZH1018 and higher		1
80	GB5782-M8x25	Hex Bolt	M8x25	1
		.....serial #1907ZH1018 and higher		1

## Bed Assembly II



## **Bed Assembly II (for GH-26120ZH only)**

## Bed Assembly II

Index No.	Part No.	Description	Size	Qty.
4	C6266C01105	Pulley		1
5	GB1096-10x50	Flat Key	10x50	1
6	GB71-M12x16	Slotted Set Screw	M12x16	1
7	Y132M-4TH/B3	Motor	10HP, 3PH, 400V	1
8	GB5782-M10x40	Hexagon Head Bolt	M10x40	4
9	GB93-10	Spring Washer	10	4
10	GB97.2-10	Flat Washer	10	4
11	GB6170-M20	Hex Nut	M20	2
12	GB849-20	Spheric Washer	20	2
13	C6140W01735	Taper Washer		2
14	C6140W01714	Double Bolt		1
15	C6266C01711	Shaft		1
16	C6266C01104	Motor Mounting Plate		1
17	GB75-M10x14	Slotted Set Screws (Except For GH-26120ZH)	M10x14	1
18	C6266C01107	Support (Except For GH-26120ZH)		1
19	GB70-M12x35	Hex Socket Cap Screw (Except For GH-26120ZH)	M12x35	4
20	C6266C01701-G	Cover		1
21	GB97.2-6	Flat Washer	6	12
	GB97.2-6	Flat Washer (For GH-26120ZH only)	6	16
21a	GB93-6	Spring Washer	6	8
22	GB818-M6x8	Cross Head Screw (serial #1601ZH0793 and lower)	M6x8	12
	GB2672-M6x8	Screw (serial #1601ZH0794 and higher)	M6x8	12
	GB818-M6x8	Cross Head Screw (For GH-26120ZH only) (serial #1601ZH0793 and lower)	M6x8	16
	GB2672-M6x8	Screw (For GH-26120ZH only) (serial #1601ZH0794 and higher)	M6x8	16
23	C6266C01710-G	Cover		1
24	C6266C01102A-G	Bed Stand (For GH-2640ZH only)	1000	1
	C6266C01102B-G	Bed Stand (For GH-2660ZH only)	1500	1
	C6266C01102C-G	Bed Stand (For GH-2680ZH only)	2000	1
24a	C6266C01108-G	Front Bed Stand (For GH-26120ZH only)	3000	1
24b	C6266C01109-G	Middle Bed Stand (For GH-26120ZH only)	3000	1
24c	C6266C01110-G	Rear Bed Stand (For GH-26120ZH only)	3000	1
25	C6266C01707-G	Cover		1
27	1440R01705	Drain Plate (Except For GH-26120ZH)		1
28	GB41-M6	Hex Nut (Except For GH-26120ZH)	M6	1
29	GB5782-M6×20	Hexagon Head Bolt (Except For GH-26120ZH)	M6×20	1
30	C6140W01723-G	Cover (For GH-26120ZH only)		1
31	C6266C01715-G	Front Splash Guard (For GH-26120ZH only)		1
32	GB70-M8X16	Cross Head Screw (For GH-26120ZH only)	M8X16	12
32a	GB97.2-8	Flat Washer (For GH-26120ZH only)	8	12
34	STRIRZ-1-314	Saripe ( not shown)		1
35	GB70-M6x16	Hex Socket Cap Screw (For GH-26120ZH only)	M6x16	2
36	C6266C01713-G	Coolant Tank Bracket (For GH-26120ZH only)		1
37	C6266C01712-G	Lacquer Tray (For GH-26120ZH only)		2
39	C61321723A-G	Bracket		1
40	GB70-M8x12	Hex Socket Cap Screw	M8x12	2
41	JET-165	JET LOGO (serial #1601ZH0794 and higher)		1
42	K990	Motor Label		1
44	GH-1640ZX18303A-G	Wiring Box		1

## Bed Assembly II

<b>Index</b>	<b>Part</b>			
<b>No.</b>	<b>No.</b>	<b>Description</b>	<b>Size</b>	<b>Qty.</b>
45 .....	GH-1440A18304-G .....	Wiring Box Cover .....		1
46 .....	GB818-M6x8 .....	Cross Head Screw .....	M6x8 .....	2
47 .....	C613618302 .....	Warning Label .....		1
48 .....	GB2672-M6x20 .....	Screw .....	M6x20 .....	2

## Headstock Assembly I

## Headstock Assembly I

Index No.	Part No.	Description	Size	Qty.
1	C6266C02502-G	Headstock Cover		1
2	C6266C02501	Rubber Mat		1
3	C6140W02835	Flat Head Countersunk Screw		1
4	GB70-M10x35	Hex Socket Cap Screw	M10x35	8
5	GB6172-M12	Hex Nut	M12	2
6	C6266C02768	Braking Belt Support		1
7	GB65-M6x10	Slotted Socket Cap Screw	M6x10	4
8	C6266C02767	Braking Belt		1
9	GB867-3x10	Half Circle Rivet	3x10	3
10	C6266C02503	Braking Friction Disk		1
11	GB119-6n6x14	Pin	6n6x14	1
12	C6266C02770	Braking Belt Support		1
13	C6266C02769	Shaft		1
14	GB3452.1-30x2.65	Ring Seal	30x2.65	1
15	R51-2-M27x1.5	Oil Glass	M27x1.5	2
16	GB818-M3x4	Cross Recessed Pan Head Screw (serial #1601ZH0793 and lower)	M3x4	14
	GB2672-M3x6	Screw (serial #1601ZH0794 and higher)	M3x6	14
17	C6266C02306	Sign Label– Oil Level (serial #1608ZH0809 and lower)		1
	C6266C02306-1	Sign Label– Oil Level (serial #1608ZH0810 and higher)		1
18	C6266C02101-G	Headstock		1
19	GB5782-M20x75	Hexagon Head Bolt	M20x75	3
19a	GB97.2-20	Flat Washer	20	3
20	C6266C02125	Fork		1
20a	C6266C02721A	Control Shaft		1
21	GB881-8x40	Pin	8x40	1
21a	GB6172-M8	Hex Nut	M8	1
22	GB71-M12x30	Slotted Set Screw	M12x30	1
23	Q81-1-1.6x8x70	Spring	1.6x8x70	1
24	GB308-10	Boll	10	1
25	C6266C02130	Bushing		1
26	GB3452.1-38.7x3.55	Ring Seal	38.7x3.55	1
27	GB818-M6x16	Cross Head Screw	M6x16	3
27a	GB97.2-6	Flat Washer	6	3
27b	GB73-M8x10	Slotted Set Screw	M8x10	1
28	C6266C02757-G	Cover		1
29	GB3452.1-26.5x2.65	Ring Seal	26.5x2.65	1
29a	GB73-M10x10	Slotted Set Screw	M10x10	2
30	C6266C02761	Control Shaft		1
31	C6266C02128	Fork		1
32	C6266C02124	Fork		1
33	C6266C02120	Fork		1
34	C6266C02762	Control Shaft		1
35	C6140W02141-G	Front Cover		1
36	C6140W02711	Screw		3
37	GB5782-M16x80	Hexagon Head Bolt	M16x80	2
37a	GB97.2-16	Flat Washer	16	3
38	C6140W02831	Nut		1
40	C6140W02832	Drain Pipe		1
41	C6140W02833	Clamping Plate		1

## Headstock Assembly I

Index No.	Part No.	Description	Size	Qty.
42	GB5782-M16x60	Hexagon Head Bolt	M16x60	1
43	C6266C02303	Sign Label (serial #1608ZH0809 and lower)		1
	C6266C02303-1	Sign Label (serial #1608ZH0810 and higher)		1
44	C6140W02143	Slide Block		1
45	GB119-6m6x20	Pin	6m6x20	1
46	C6140W02129	Rocker		1
47	GB1099-6x22	Half Circle Key	6x22	1
48	C6266C02763	Shaft		1
49	G51-2A-25x2.4	Ring Seal	25x2.4	2
50	C6140W02127	Collar		2
51	C6266C02119	Collar		1
52	C6266C02305-81	Headstock Label Panel (For GH-2640ZH only) (serial #1608ZH0809 and lower)		1
	C6266C02305-62	Headstock Label Panel (For GH-2660ZH only) (serial #1608ZH0809 and lower)		1
	C6266C02305-77	Headstock Label Panel (For GH-2680ZH only) (serial #1608ZH0809 and lower)		1
	C6266C02305-58	Headstock Label Panel (For GH-26120ZH only)(serial #1608ZH0809 and lower)		1
	C6266C02305-177	Headstock Label Panel (For GH-2640/60/80/120ZH) (serial #1608ZH0810 and higher)		1
53	C6140W02837	Board		1
54	C6140W02836	Oil Distributor		1
55	GB819-M5×10	Cross Recessed Head Countersunk Screw	M5×10	2
56	GB819-M6×14	Cross Recessed Head Countersunk Screw	M6×14	2
57	GB818-M6×8	Cross Recessed Pan Head Screw	M6×8	2
58	C6266C02781	Oil Sprayer Assembly		1
59	G92-1A-4	Fitting	4	8 Group
60	G92-1A-8	Fitting	8	1
61	G92-1A-10	Fitting	10	4 Group
62	SFW-02A	Oil Filter		1

## Headstock Assembly II

## Headstock Assembly II

Index No.	Part No.	Description	Size	Qty.
1	C6266CHA01	Chain	12.7x58	1
2	GB894.1-16	C-clip For Shaft	16	1
3	C6140W02808	Chain Wheel		2
4	C6266C02751	Gear		1
5	C6266C02780	Sleeve		1
6	GB3452.1-34.5x2.65	Ring Seal	34.5x2.65	1
7	GB1096-5x10	Key	5x10	4
8	C6266C02753	Collar		1
9	GB3452.1-25x2.65	Ring Seal	25x2.65	2
10	C6266C02752	Shaft		1
11	GB3452.1-17x1.8	Ring Seal	17x1.8	3
12	C6266C02756	Positioning Disc		1
13	GB819-M6x14	Cross Recessed Head Countersunk Screw	M6x14	4
14	C6140W02799-G	Lever		1
15	C6266C02114-G	Lever Support		1
16	GB308-10	Boll	10	3
17	Q81-1-1.6x8x18	Spring	1.6x8x18	3
18	C6266C02754	Positioning Screw		2
19	GB894.1-30	C-clip For Shaft	30	1
20	C6140W02801-G	Lever		1
21	C6140W02123-G	Lever Support		1
22	C6140W02821-G	Washer		2
23	GB819- M5x16	Cross Recessed Head Countersunk Screw	M5x16	6
24	C6266C02304	Speed Sign (serial #1608ZH0809 and lower)		1
	C6266C02304A	Speed Sign (serial #1608ZH0810 and higher)		1
25	C6140W02813	Pin		3
26	C6266C02775	Connector		1
27	C6266C02121	Rocker		1
28	GB117-6x45	Taper Pin (serial #1209ZH0608 and lower)	6x45	1
	GB877-6x50	Taper Pin (serial #1301ZH0609 and higher)	6x50	1
29	C6140W02812	Roller		2
30	C6140W02119	Slide Block		3
31	GB119-6n6x14	Pin	6n6x14	3
32	C6266C02122	Fork		1
33	C6266C02765	Axis		1
34	GB117-6x35	Taper Pin (serial #1209ZH0608 and lower)	6x35	1
	GB877-6x40	Taper Pin (serial #1301ZH0609 and higher)	6x40	1
35	C6266C02749	Gear		1
36	C6266C02112	Collar		1
37	GB3452.1-30x2.65	Ring Seal	30x2.65	1
38	C6266C02750	Washer		2
39	C6266C02764	Pin		1
40	C6266C02123	Collar		1
41	C6266C02111	Plug		1
42	GB3452.1-20x2.65	Ring Seal	20x2.65	1
43	C6266C02760	Shaft		1
44	C6266C02118	Fork		1
45	C6266C02116	Collar		1
46	GB117-6x40	Taper Pin (serial #1209ZH0608 and lower)	6x40	1
	GB877-6x45	Taper Pin (serial #1301ZH0609 and higher)	6x45	1



## Headstock Assembly II

Index No.	Part No.	Description	Size	Qty.
47	C6266C02117	Rocker		1
48	C6266C02759	Shaft		1
49	GB1099-5x19	Woodruff Key	5x19	2
50	GB3452.1-21.2x2.65	Ring Seal	21.2x2.65	1
51	C6266C02758	Positioning Disc		1
52	C6140W02822-G	Lever		1
53	C6266C02115-G	Lever Support		1
54	GB73-M12x14	Set Screw	M12x14	1
55	C6266C02774	Bolt		1
56	C6266C02129	Rocker		1
57	GB75-M5x8	Socket Set Screw	M5x8	1
58	C6266C02773	Screw		1
59	GB97.2-12	Flat Washer	12	1
60	C6140W02826	Tightening Wheel		1
61	C6140W02825	Pin		1
62	C6266C02771	Shaft		1
63	GB117-5x40	Taper Pin (serial #1209ZH0608 and lower)	5x40	1
	GB877-5x45	Taper Pin (serial #1301ZH0609 and higher)	5x45	1
64	C6266C02127	Rocker		1
65	C6266C02766	Shaft		1
66	C6266C02772	Positioning Disc		1
67	GB3452.1-12.5x1.8	Ring Seal	12.5x1.8	1
68	C6266C02126	Collar		1
69	GB894.1-35	C-clip For Shaft	35	1
70	GB818-M3x6	Cross Recessed Pan Head Screw (serial #1601ZH0793 and lower)		
			M3x6	7
	GB2672-M3x6	Screw (serial #1601ZH0794 and higher)	M3x6	7

## Headstock Assembly III

### Headstock Assembly III

Index No.	Part No.	Description	Size	Qty.
1	C6266C08710-G	Back Cover		1
2	GB2672-M6x25	Screw	M6x25	3
3	C6266C08706	Upper Hinge		2
4	GB70-M6x12	Hex Socket Cap Screw	M6x12	8
5	GB119-6h8x40	Pin	6h8x40	2
6	C6266C08707	Lower Hinge		2
7	C6266C08713-G	Rear Side Plate		1
8	GB70-M6x16	Hex Socket Cap Screw	M6x16	5
12	C6266C08711A-G	Lower Front Side Plate		1
13	C6266C08714-G	Cover		1
14	GB818-M6x8	Cross Recessed Pan Head Screw (serial #1601ZH0793 and lower)		
			M6x8	4
	GB2672-M6x8	Screw (serial #1601ZH0794 and higher)	M6x8	4
14a	GB97.2- 6	Flat Washer	6	7
16	C6266C18718	Bracket		1
17	GB818-M5x6	Cross Recessed Pan Head Screw	M5x6	2
18	ZH-SQ1	Door Switch Assembly	QKS8	1
18a		Door Switch	QKS8-1	1
18b		Door Switch	QKS8-2	1
19	GB818-M4x30	Cross Recessed Pan Head Screw	M4x30	2
20	GB6172-M4	Hex Nut	M4	2
21	GB818-M4x6	Cross Recessed Pan Head Screw	M4x6	2
22	GB97.2-4	Flat Washer	4	2
23	GHB-1340A11304-12	Warning Sign Label (serial #1608ZH0810 and higher)		1

## Headstock Assembly IV

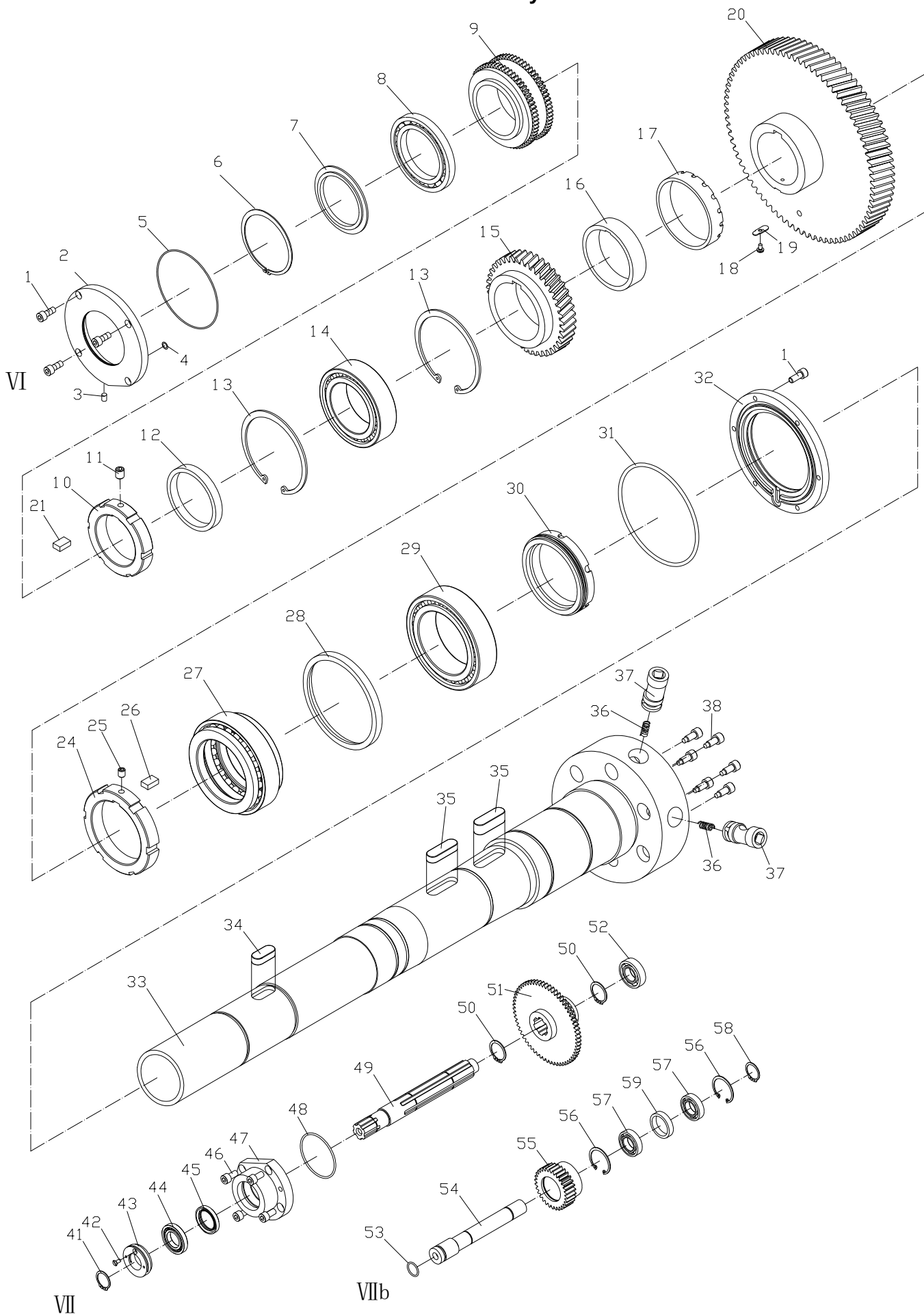
## Headstock Assembly IV

Index No.	Part No.	Description	Size	Qty.
1	C6140W02752-1/2	Round Nut		1
2	GB77-M6x6	Hex Socket Set Screw	M6x6	1
3	C6140W02752-2/2	Clamping Piece		1
4	B2464	Belt		4
5	C6266C02107	Pulley		1
6	GB70-M10x25	Hex Cap Head Screw	M10x25	4
7	C6266C02105	Bearing Cover		1
8	GB3452.1-122x3.55	Ring Seal	122x3.55	1
9	BB-6208ZZ	Bearing	6208ZZ	2
10	C6266C02106	Spacer		1
11	GB894.1-40	C-clip For Shaft	40	1
12	C6266C02723	Spacer		4
13	C6266C02730	Forward Clutch Housing		1
14	C6266C02302	Collar		1
15	C6140W02748	Pressure Plate		2
16	C6140W02747	Pressure Plate		2
17	GB119-5x10	Pin	5x10	2
18	C6140W02746	Inner Friction Disc (forward 8 pcs and reverse 5 pcs)		13
19	C6140W02745	Outer Friction Disc (forward 7 pcs and reverse 4 pcs)		11
20	C6140W02741	Adjusting Nut		2
21	C6266C02727	Spline Sleeve		1
22	C6140W02744	Stop Pin		2
23	Q81-1-0.8x5x16	Spring	0.8x5x16	2
25	C6266C02724	Reverse Clutch Housing		1
26	C6266C02301	Collar		1
27	GB894.1-40	C-clip For Shaft	40	1
28	GB1096-12x50	Flat Key	12x50	1
29	C6266C02731A	Shaft (I)		1
30	GB119-12x70	Pin	12x70	1
31	C6140W02732	Pressure Piece		1
32	GB119-5x40	Pin	5x40	1
33	GB1096-12x70	Flat Key	12x70	1
34	GB119-8x25	Pin	8x25	1
35	C6140W02733	Clamping Ring		1
36	C6266C02728	Shaft		1
37	C6266C02722	Shaft		1
38	GB70-M6x20	Hex Socket Cap Screw	M6x20	3
39	C6140W02106	Pump Support		1
39a	GB78-M8x10	Hex Socket Set Screw With Cone Point	M8x10	1
40	GB1096-4x16	Flat Key	4x16	1
41	DB-B4	Oil Pump		1
43	C6266C02740	Bolt		2
44	C6266C02736	Cover		2
45	GB3452.1-65x3.55	Ring Seal	65x3.55	2
46	BB-6306	Bearing	6306	3
47	C6266C02735	Shaft (II)		1
48	C6266C02734	Gear		1
49	C6266C02733	Gear		1
50	C6266C02732	Gear		2
51	C6266C02737	C-clip		1

## Headstock Assembly IV

Index No.	Part No.	Description	Size	Qty.
52	C6266C02718	Shaft (IV)		1
53	C6266C02720	Gear		1
54	C6266C02719A	Gear		1
55	C6266C02103	Sleeve		1
56	BB-6207	Bearing	6207	2
57	GB3452.1-25x2.65	Ring Seal	25x2.65	1
58	C6266C02729	Shaft (II b)		1
59	GB893.1-47	C-Clip	47	2
60	BB-6005	Bearing	6005	2
61	C6266C02104	Sleeve		1
62	C6266C02726	Gear		1
63	GB1096-8x12	Flat Key	8x12	1
64	C6266C02725	Braking Wheel		1
65	GB73-M5x8	Slotted Set Screw	M5x8	1
66	C6266C02741	Gear		1
67	GB1096-10x40	Flat Key	10x40	1
68	C6266C02738	Gear		1
69	C6266C02742	Gear		1
70	GB894.1-55	C-clip For Shaft	55	1
71	C6266C02739	Shaft (III)		1
72	GB1099-6x22	Woodruff Key	6x22	1
74	C6266C02717	Gear		1
75	C6266C02716A	Gear		1
76	BB-32208	Bearing	32208	1
77	C6266C02779	C-clip For Shaft		1
78	C6266C02715	Gear		1
79	C6140W02733	Clamping Sleeve		3
80	C6266C02714	Gear		1
81	C6266C02713	Shaft (V)		1
82	32308	Tapered Roller Bearing	32308	1
83	C6140W02103	Shaft Plug (VI)		1
84	GB3452.1-82.5x3.55	Ring Seal	82.5x3.55	1
85	C6140W02717	Hex Socket Cap Screw		1
86	GB6173-M16x1.5	Nut	M16x1.5	1
89	GB119-6x8	Pin	6x8	1
90	BB-6208	Bearing	6208	2
91	C6266C02131	Sleeve (serial #1207ZH0588 and higher)		1

# Headstock Assembly V



## Headstock Assembly V

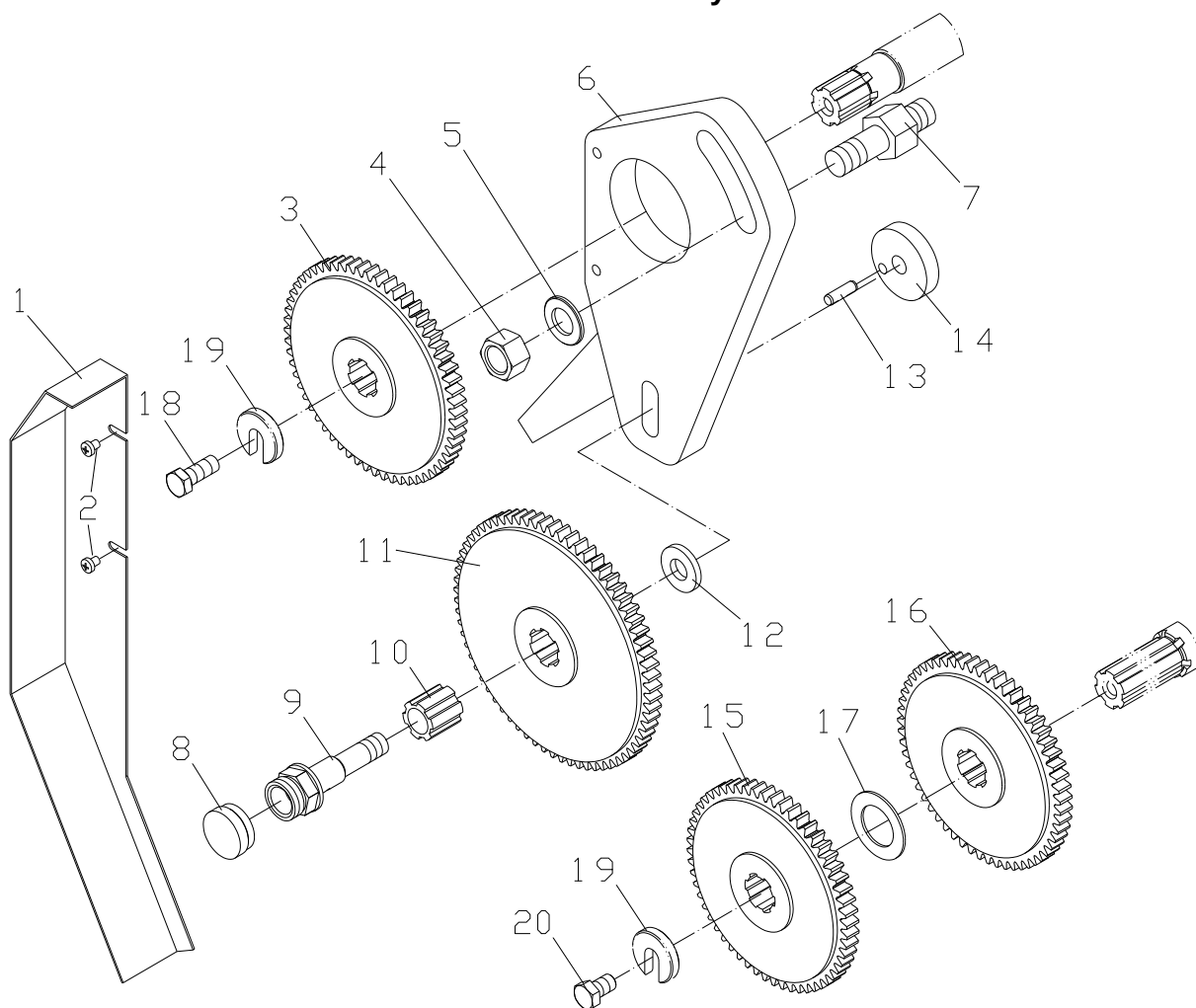
Index No.	Part No.	Description	Size	Qty.
1	GB70-M10x25	Hex Socket Cap Screw	M10x25	10
2	C6266C02108	Back Flange Cover		1
3	GB119-6x8	Pin	6x8	1
4	G51-2A-12x1.9	O-Ring	12x1.9	4
5	GB3452.1-180x2.65	Ring Seal	180x2.65	1
6	GB894.1-120	C-clip For Shaft	120	1
7	C6266C02744	Bearing Back C-clip		1
8	16024	Bearing	16024	1
9	C6266C02743	Double Gear		1
10	C6266C02702-1	Round Nut		1
11	GB77-M12x12	Hex Socket Set Screw	M12x12	3
12	C6266C02703	C-clip		1
13	GB893.1-200	C-clip For Bore	200	2
14	NN3026K/P5	Cylindrical Roller Bearing		1
15	C6266C02704	Gear		1
16	C6266C02705	Thread Sleeve		1
17	C6266C02706	Nut		1
18	GB67-M6x10	Screw	M6x10	1
19	C6140W02715	Fixing Plate		2
20	C6266C02707	Gear		1
21	C6266C02702-2	Clamping Plate		1
24	C6266C02708-1	Round Nut		1
25	GB79-M12x16	Hex Socket Set Screw	M12x16	3
26	C6266C02708-2	Pin		3
27	2268930	Bearing		1
28	C6266C02709	Bearing C-clip		1
29	NN3030K/W33/P5	Bearing		1
30	C6266C02710	Round Nut		1
31	GB3452.1-250x5.3	Ring Seal	250x5.3	1
32	C6266C02102-G	Front Flange Cover		1
33	C6266C02701	Spindle		1
34	GB1096-10x40	Flat Key	10x40	1
35	GB1096-16x50	Flat Key	16x50	2
36	Q81-1-1x8x16	Spring	1x8x16	6
37	C6266C02711	Cam		6
38	C6266C02712	Positioning Screw		6
41	GB894.1-30	C-clip For Shaft	30	1
42	GB68-M5x12	Slotted Head Screws	M5x12	1
43	C6140W02776	Adjusting Screw		1
44	6006-2RS	Bearing	6006-2RS	1
45	GB13871-B-35x51x8	Oil Seal	B-35x51x8	1
46	GB70-M10x20	Hex Socket Cap Screw	M10x20	4
47	C6266C02110	Bearing Cover		1
48	G51-2A-80x3.1	Oil Seal	80x3.1	1
49	C6266C02747	Shaft (VII)		1
50	GB894.1-35	C-Clip	35	2
51	C6266C02746	Gear		1
52	6205	Bearing	6205	1
53	GB3452.1-25x2.65	Ring Seal	25x2.65	1
54	C6266C02748	Shaft (VII b)		1



## Headstock Assembly V

<b>Index</b>	<b>Part</b>			
<b>No.</b>	<b>No.</b>	<b>Description</b>	<b>Size</b>	<b>Qty.</b>
55 .....	C6266C02745.....	Gear .....		1
56 .....	GB893.1-47.....	C-clip For Bore.....	47 .....	2
57 .....	6005 .....	Bearing .....	6005 .....	2
58 .....	GB894.1-25.....	C-clip For Shaft.....	25 .....	1
59 .....	C6266C02109.....	Sleeve.....		1

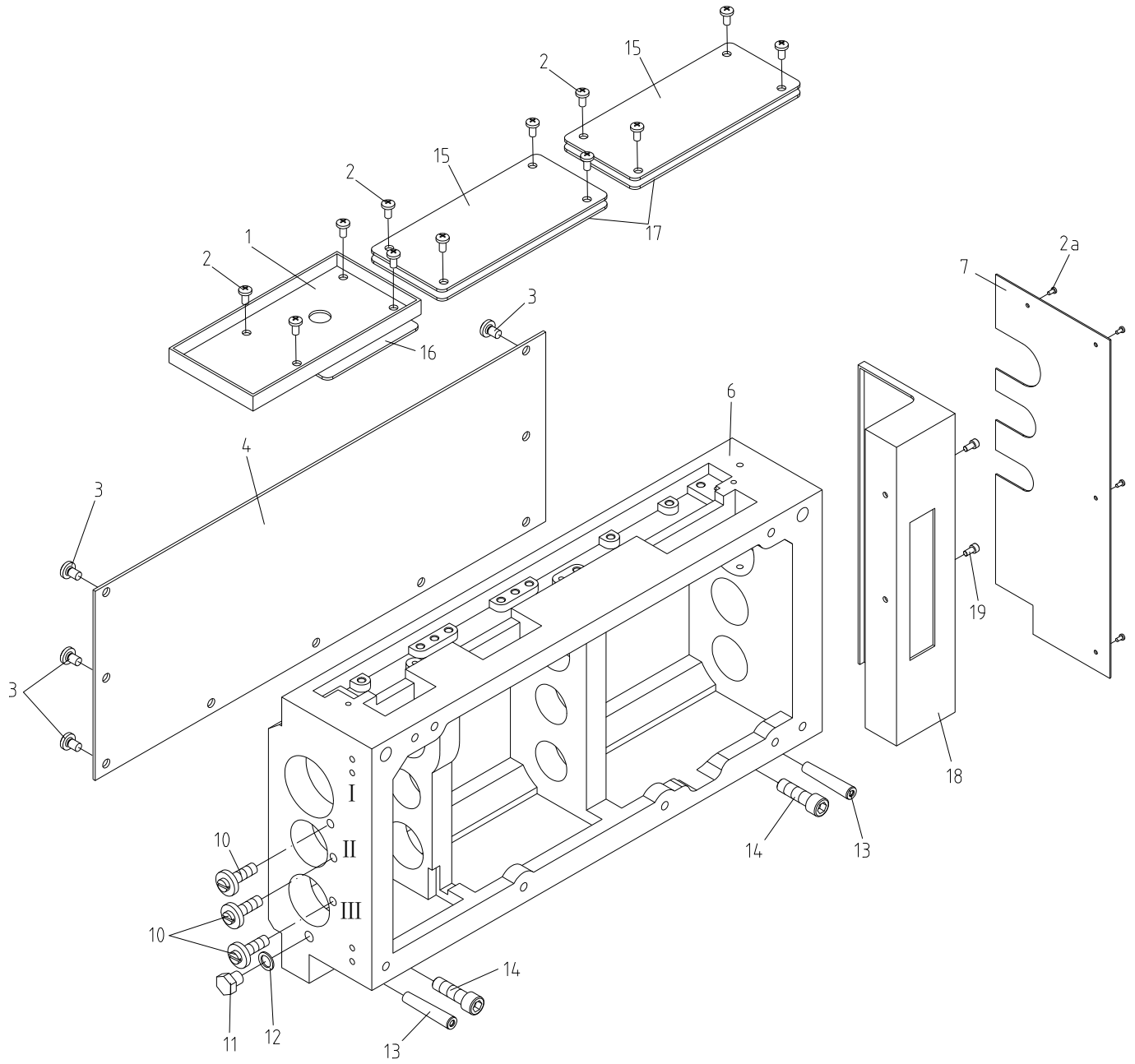
## Gear Assembly



## Gear Assembly

Index No.	Part No.	Description	Size	Qty.
1	C6266C08708-G	Splash Guard		1
2	GB818-M6x8	Screw (serial #1601ZH0793 and lower)	M6x8	2
	GB2672-M6x8	Screw (serial #1601ZH0794 and higher)	M6x8	2
3	C6266C08702	Gear (For Metric Style)	2.75m60T	1
4	GB6172-M20	Hex Nut	M20	1
5	GB97.2-20	Flat Washer	20	1
6	C6266C08101	Gear Frame		1
7	C6266C02776	Bolt		1
8	C6140W08703	Nut Cover		1
9	C6140W08702	Gear Shaft		1
10	C6140W08301	Spline Sleeve		1
11	C6266C08102	Gear (For Metric Style)	2.75m69T	1
12	C6266C08701	Flat Washer		1
13	GB119-8n6x20	Pin	8n6x20	1
14	C6140W08704	Position Nut		1
15	C6266C08703	Gear (For Metric Style)	2.75m56T	1
16	C6266C08704	Gear (For Metric Style)	2.75m57T	1
17	1440R06001C-2	Collar (The sum is adopt to the space between 15 and 16)		not sure
18	TS-1492021	Hex Cap Screw	M12x30	1
19	GB851-A12x40	Split Washer	A12x40	2
20	GB5783-M12x20	Hexagon Head Bolt	M12x20	1

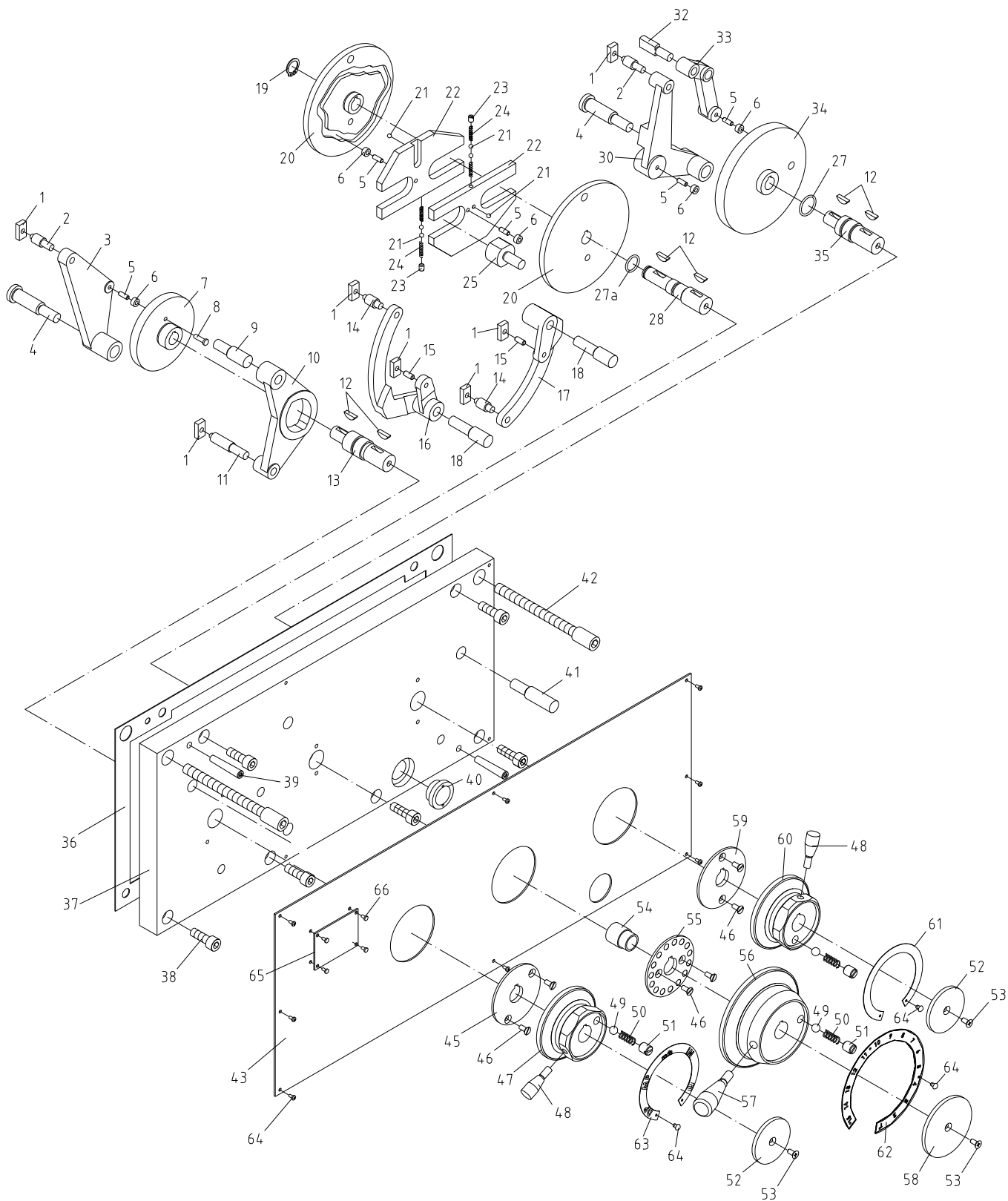
# Gear Box Assembly I



## Gear Box Assembly I

Index No.	Part No.	Description	Size	Qty.
1	C6266C05767-G	Oil Plate		1
2	GB818-M6x10	Cross Recessed Pan Head Screw	M6x10	12
2a	GB70-M3x10	Hex Socket Cap Screw	M3x10	6
3	GB818-M8x12	Hex Cap Screw	M8x12	9
4	C6140W05A729-G	Back Cover		1
6	C6140W05A101-G	Feed Box Casting		1
7	C6266C05765-G	Side Splash Guard		1
10	C6140W05A728	Shoulder Screw		3
11	G38-2A-M12x1.25	Hex Cap Screw	M12x1.25	1
12	G52-1-12	Copper Gasket	12	1
13	GB118-10x60	Taper Pin	10x60	2
14	GB70-M12x40	Hex Socket Cap Screw	M12x40	2
15	C6266C05768	Panel		2
16	C6266C05501	Gasket		1
17	C6266C05502	Gasket		2
18	C6266C-05766-G	Bracket		1
19	GB70-M6x12	Gasket	M6x12	2

# Gear Box Assembly II



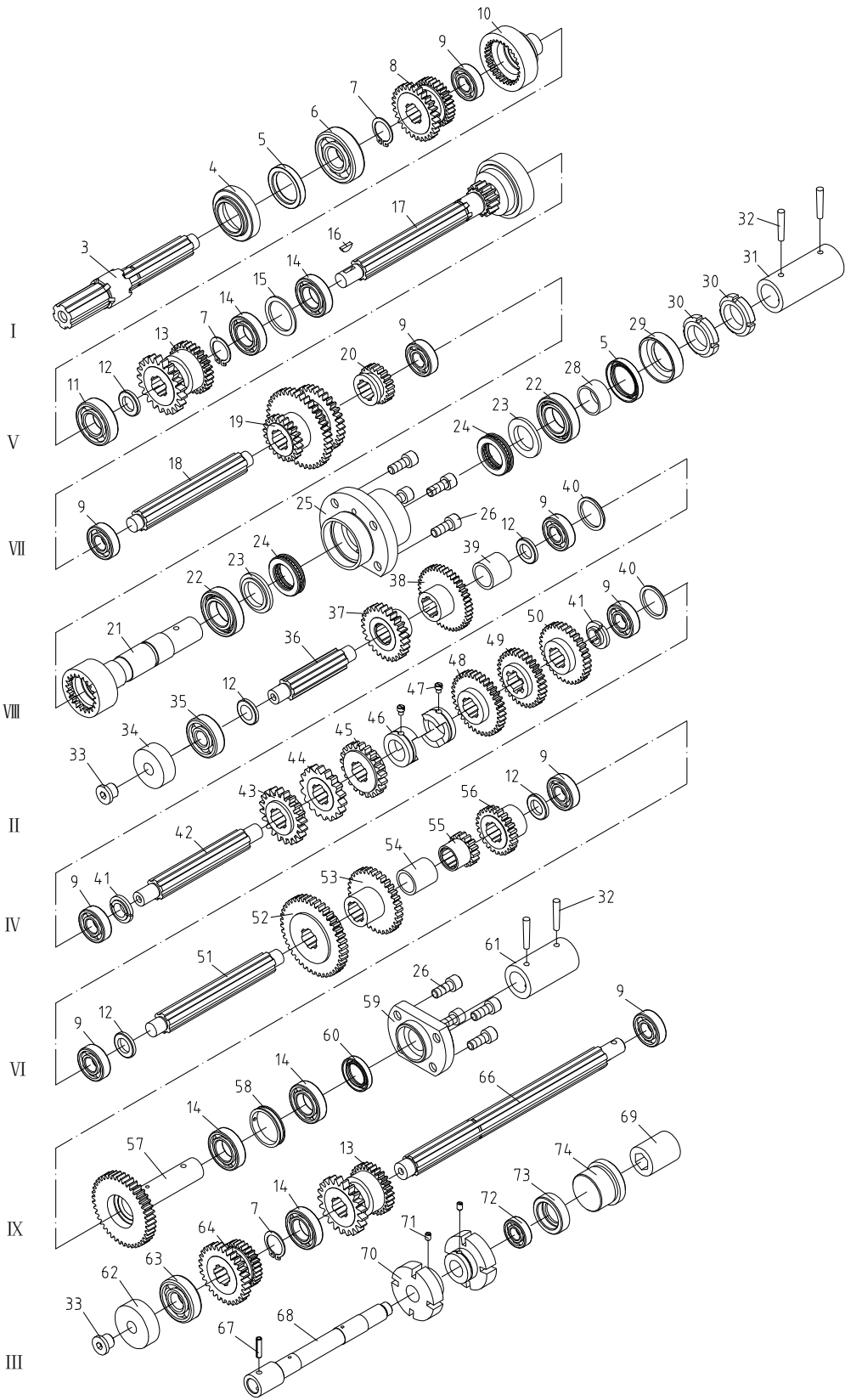
## Gear Box Assembly II

Index No.	Part No.	Description	Size	Qty.
1	C6140W05109	Sliding Block		7
2	C6140W05A701	Shaft		2
3	C6140W05105	Ratio Change Rocker		1
4	C6140W05709	Rocker Shaft		2
5	GB119-5x14	Pin	5x14	5
6	C6140W05720	Roller		6
7	C6140W05708	Cam		1
8	C6140W05A703	Roller Shaft		1
9	C6140W05702	Shaft		1
10	C6140W05103	Rocker		1
11	C6140W05A710	Shaft		1
12	GB1099-5x19	Woodruff Key	5x19	6
13	C6140W05707	Shaft		1
14	C6140W05A711	Shaft		2
15	GB119-6x14	Pin	6x14	2
16	C6140W05110	Shaft		1
17	C6140W05106	Upper Rocker		1
18	C6140W05712	Shaft		2
19	GB894.1-16	C-clip For Shaft	16	1
20	C6140W05A717	Cam		2
21	GB308-5	Steel Ball	5	6
22	C6140W05A719	Pulley		2
23	GB73-M6x8	Set Screw	M6x8	2
24	Q81-1-0.6x4x20	Spring	0.6x4x20	4
25	C6140W05A718	Positioning Column		1
27	G51-2A-25x2.4	Ring Seal	25x2.4	2
27a	G51-2A-16x2.4	Ring Seal	16x2.4	1
28	C6140W05A716	Handle Axle		1
30	C6140W05112	Rocker		1
32	C6140W05A722	Shaft		1
33	C6140W05111	Rocker		1
34	C6140W05A725	Cam		1
35	C6140W05A723	Shaft		1
36	C6140W05A501	Gasket		1
37	C6140W05A115-G	Front Cover		1
38	GB70-M10x30	Hex Socket Cap Screw	M10x30	6
39	GB118-8x50	Pin	8x50	2
40	C6266CGBA40	Oil Sight Glass	M27x1.5	1
41	C6140W05721	Shaft		1
42	C6140W05727	Hex Socket Cap Screw		1
43	C6266C05301A-7	Gearbox Label Panel (serial #1608ZH0809 and lower)		1
	C6266C05301A-23	Gearbox Label Panel (serial #1608ZH0810 and higher)		1
45	C6140W05A704	Positioning Disc		1
46	GB68-M5x12	Slotted Head Screw	M5x12	6
47	C6140W05A104-G	Lever Support		1
48	C6140W05705-G	Lever		2
49	GB308-10	Steel Ball	10	3
50	Q81-1-1x8x25	Spring	1x8x25	3
51	GB73-M12x14	Slotted Set Screw	M12x14	3
52	C6140W05706-G	Disk		2

## Gear Box Assembly II

Index No.	Part No.	Description	Size	Qty.
53	GB819-M5x12	Cross Recessed Head Screw	M5x12	3
54	C6140W05A108	Collar		1
55	C6140W05A713	Positioning Disc		1
56	C6140W05A107-G	Lever Support		1
57	C6266C05714-G	Lever		1
58	C6140W05715-G	Cover		1
59	C6140W05A724	Positioning Disc		1
60	C6140W05A104-G	Lever Support		1
61	C6140W05308	Handle Panel (serial #1608ZH0809 and lower)		1
	C6140W05308-3	Handle Panel (serial #1608ZH0810 and higher)		1
62	C6140W05A307	Handle Panel (serial #1608ZH0809 and lower)		1
	C6140W05A307-2	Handle Panel (serial #1608ZH0810 and higher)		1
63	C6140W05306	Handle Panel (serial #1608ZH0809 and lower)		1
	C6140W05306-2	Handle Panel (serial #1608ZH0810 and higher)		1
64	GB818-M3x6	Cross Recessed Pan Head Screw (serial #1601ZH0793 and lower)		
			M3x6	17
	GB2672-M3x6	Screw (serial #1601ZH0794 and higher)	M3x6	17
65	GH2640ZHK979	Label (For GH-2640ZH only)		1
	GH2660ZHK980	Label (For GH-2660ZH only)		1
	GH2680ZHK981	Label (For GH-2680ZH only)		1
	GH26120ZHK980	Label (For GH-26120ZH only)		1
66	GB827-2x6	Rivet	2x6	4

# Gear Box Assembly III





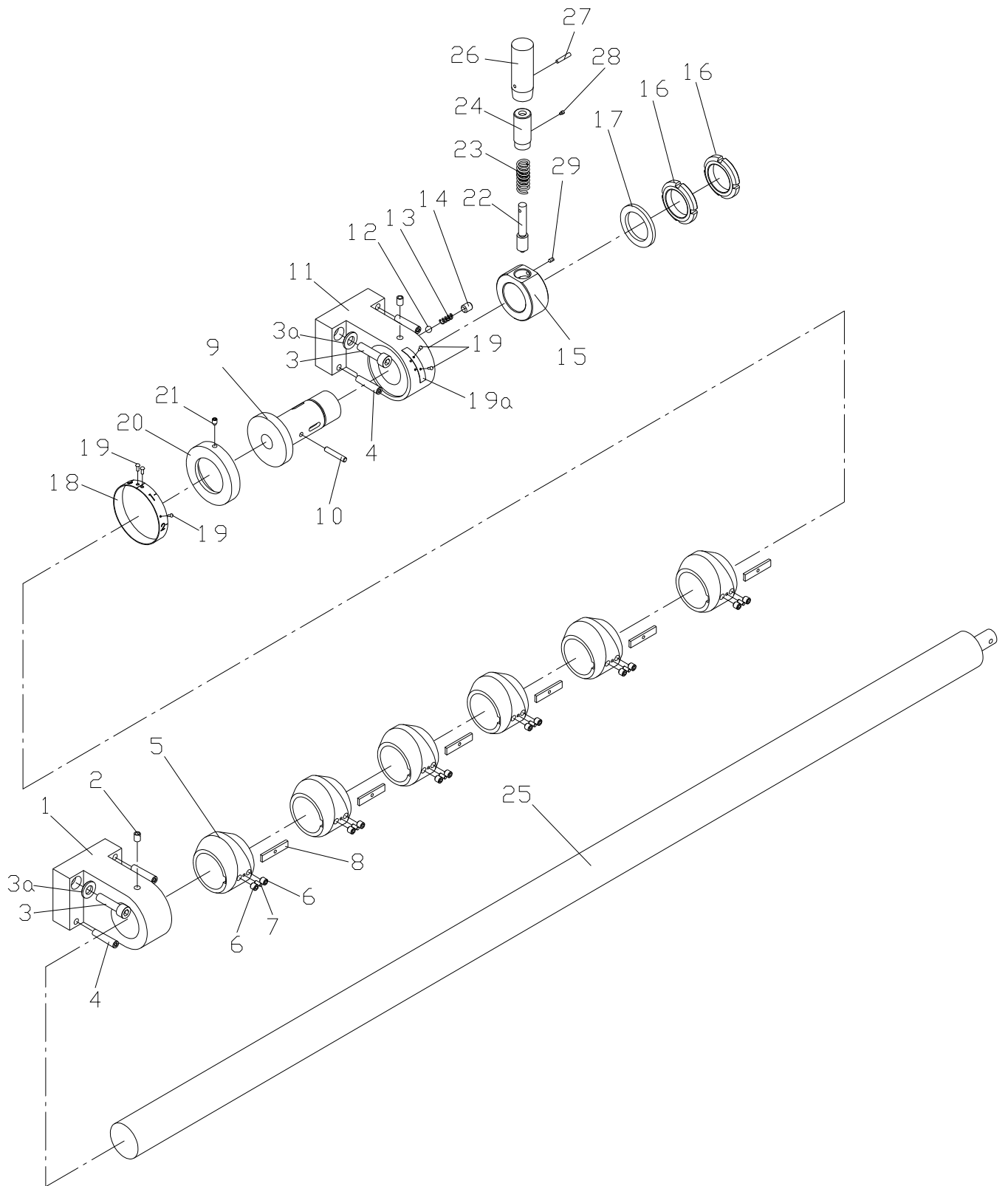
### Gear Box Assembly III

Index No.	Part No.	Description	Size	Qty.
3	C6140W05A730	Shaft (I)		1
4	C6140W05A116	Bearing Cover (serial #0808ZH0339 and lower)		1
	C6266C05772J	Bearing Cover (serial #0809ZH0340 and higher)		1
5	G51-1-35	Oil Seal (serial #0808ZH0339 and lower)	35	2
	G51-1-B-35x50x8	Oil Seal (serial #0809ZH0340 and higher)	B-35x50x8	2
6	BB-6305	Bearing	25x62x17	1
7	GB894.1-25	C-clip For Shaft	25	3
8	C6140W05731	Double Gear		1
9	BB-6203	Bearing	17x40x12	9
10	C6140W05732	Gear		1
11	BB-6205	Bearing	25x52x15	1
12	C6140W05A769	Spacer		5
13	C6140W05733	Double Gear		2
14	BB-6005	Bearing	25x47x12	5
15	C6140W05736	Spacer		1
16	GB1099-4x19	Woodruff Key	4x19	1
17	C6140W05A735	Shaft (V)		1
18	C6140W05A738	Shaft (VII)		1
19	C6140W05737	Triple Gear		1
20	C6140W05739	Gear		1
21	C6140W05743	Shaft (VIII)		1
22	16006	Bearing	30x55x9	2
23	C6140W05740	Spacer		2
24	BB-51106	Thrust Bearing	30x47x11	2
25	C6140W05117-G	Flange Sleeve		1
26	GB70-M10x25	Hex Socket Cap Screw	M10x25	8
28	C6140W05A118	Sleeve (serial #0808ZH0339 and lower)		1
	C6266C05773J	Sleeve (serial #0809ZH0340 and higher)		1
29	C6140W05A741	Bearing Cover (serial #0808ZH0339 and lower)		1
	C6266C05741J	Bearing Cover (serial #0809ZH0340 and higher)		1
30	C6140W05742	Round Nut		2
31	C6140W05767	Shaft		1
32	GB117-6x40	Taper Pin	6x40	4
33	G38-4A-M16x1.5	Plug	M16x1.5	2
34	C6140W05A771	Bearing Cover		1
35	BB-6303	Bearing	17x47x14	1
36	C6140W05A762	Shaft (II)		1
37	C6140W05763	Gear		1
38	C6140W05764	Gear		1
39	C6140W05125	Sleeve		1
40	C6140W05751	Sleeve		2
41	C6140W05A752	Adjust Washer		2
42	C6140W05A754	Shaft (IV)		1
43	C6140W05A759	Gear		1
44	C6140W05758	Gear		1
45	C6140W05757	Gear		1
46	C6140W05A734	Positioning Sleeve		2
47	GB75-M8x10	Slotted Set Screw	M8x10	2
48	C6140W05756	Gear		1

### Gear Box Assembly III

Index No.	Part No.	Description	Size	Qty.
49	C6140W05755	Gear		1
50	C6140W05753	Gear		1
51	C6140W05A749	Shaft (VI)		1
52	C6140W05750	Gear		1
53	C6140W05A748	Gear		1
54	C6140W05A124	Sleeve		1
55	C6140W05747	Gear		1
56	C6140W05746	Gear		1
57	C6140W05745	Shaft (IX)		1
58	C6140W05A744	Sleeve		1
59	C6140W05A121-G	Flange Sleeve		1
60	G51-1-25	Oil Seal (serial #0808ZH0339 and lower)	25	1
	G51-1-B-25x40x7	Oil Seal (serial #0809ZH0340 and higher)	B-25x40x7	1
61	C6140W05768	Shaft Connector		1
62	C6140W05A770	Bearing Cover		1
63	BB-6304	Bearing	20x52x15	1
64	C6140W05761	Double Gear		1
66	C6140W05A760	Shaft (III)		1
67	GB894.1-17	C-clip For Shaft (serial #0808ZH0339 and lower)	17	1
	GB879-6x25	Straight Pin (serial #0809ZH0340 and higher)	6x25	1
68	C6140W05A772	Shaft		1
69	C6140W05122	Sleeve		1
70	C6266C05130J	Oil Splash Ring		2
71	GB78-M6x12	Slotted Set Screw (serial #0809ZH0340 and higher)	M6 × 12	2
72	BB-6002	Bearing (serial #0809ZH0340 and higher)	15 × 32 × 9	1
73	C6266C05774J	Sleeve (serial #0809ZH0340 and higher)		1
74	C6266C05123J	Sleeve (serial #0809ZH0340 and higher)		1
75	GB77-M6x12	Slotted Set Screw (serial #0809ZH0340 and higher)	M6x12	2

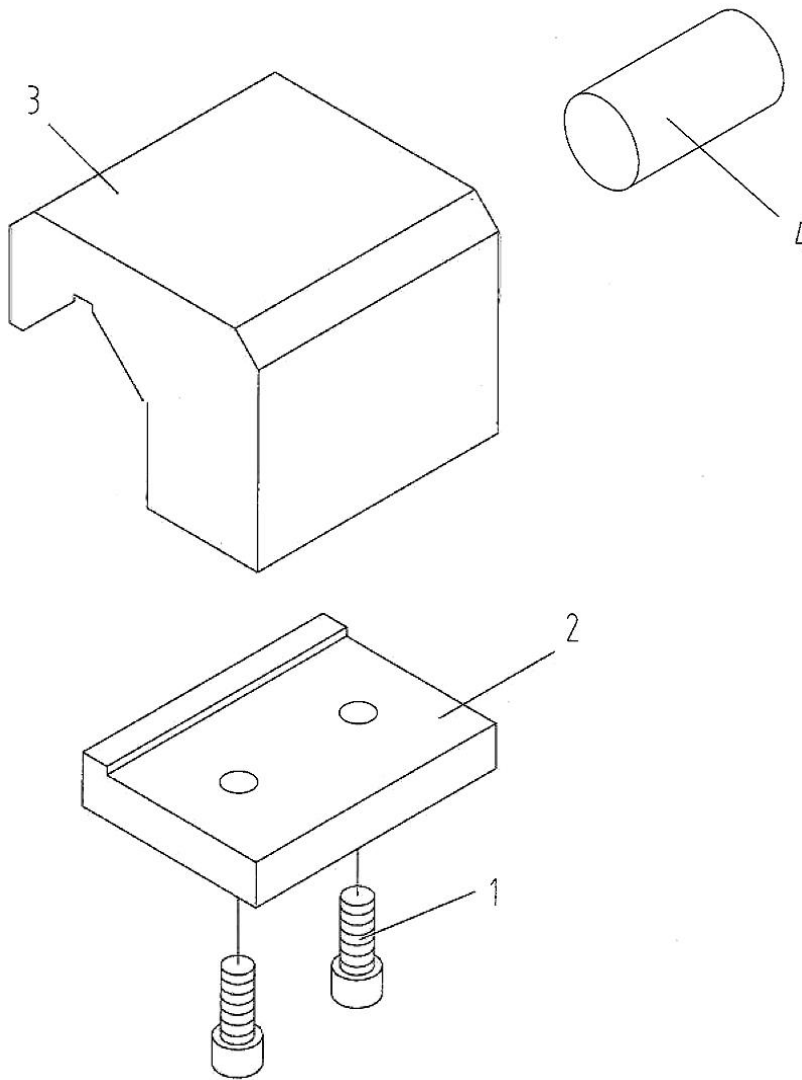
# Micro Carriage Stop Assembly



## Micro Carriage Stop Assembly

Index No.	Part No.	Description	Size	Qty.
1	C6266C26102-G	Left Support		1
2	GB1155-8	Oil Cup	8	2
3	GB70-M10x40	Hex Socket Cap Screw	M10x40	4
3a	GB97.2-10	Flat Washer	10	4
4	GB118-8x40	Pin	8x40	4
5	C6266C26712	Eccentric Travel Setting Ring		6
6	GB77-M8x8	Hex Socket Set Screws	M8x8	12
7	GB119-4x10	Pin	4x10	6
8	C6266C26713	Locking Key		6
9	C6266C26706	Shaft Connector		1
10	GB117-6x35	Taper Pin	6x35	1
11	C6266C26101-G	Right Support		1
12	GB308-8	Steel Ball	8	1
13	GB2089-1.5x8 x20	Spring	1.5x8 x20	1
14	GB77-M10x40	Hex Socket Set Screws	M10x40	1
15	C6266C26701	Sleeve		1
16	GB812-M39x1.5	Round Nut	M39x1.5	2
17	C6266C26702	Sleeve		1
18	C6266C26301	Label		1
19	GB867-M3×8	Half Circle Rivet	M3×8	5
19a	C6136ZK03303B	Label		1
20	C6266C26714	Sleeve		1
21	GB79-M6×8	Hex Socket Set Screws	M6×8	1
22	C6266C26704	Shaft		1
23	GB2089-1.2×13×40	Spring	1.2×13×40	1
24	C6266C26703	Sleeve		1
25	C6266C26707A	Travel Setting Rod (For GH-2640ZH only)		1
	C6266C26707B	Travel Setting Rod (For GH-2660ZH only)		1
	C6266C26707C	Travel Setting Rod (For GH-2680ZH only)		1
	C6266C26707D	Travel Setting Rod (For GH-26120ZH only)		1
26	C6266C26705	Handle		1
27	GB117-4x25	Taper Pin	4x25	1
28	GB75-M4×6	Slotted Socket Cap Screw	M4×6	1
29	GB71-M4×8	Slotted Set Screw	M4×8	1

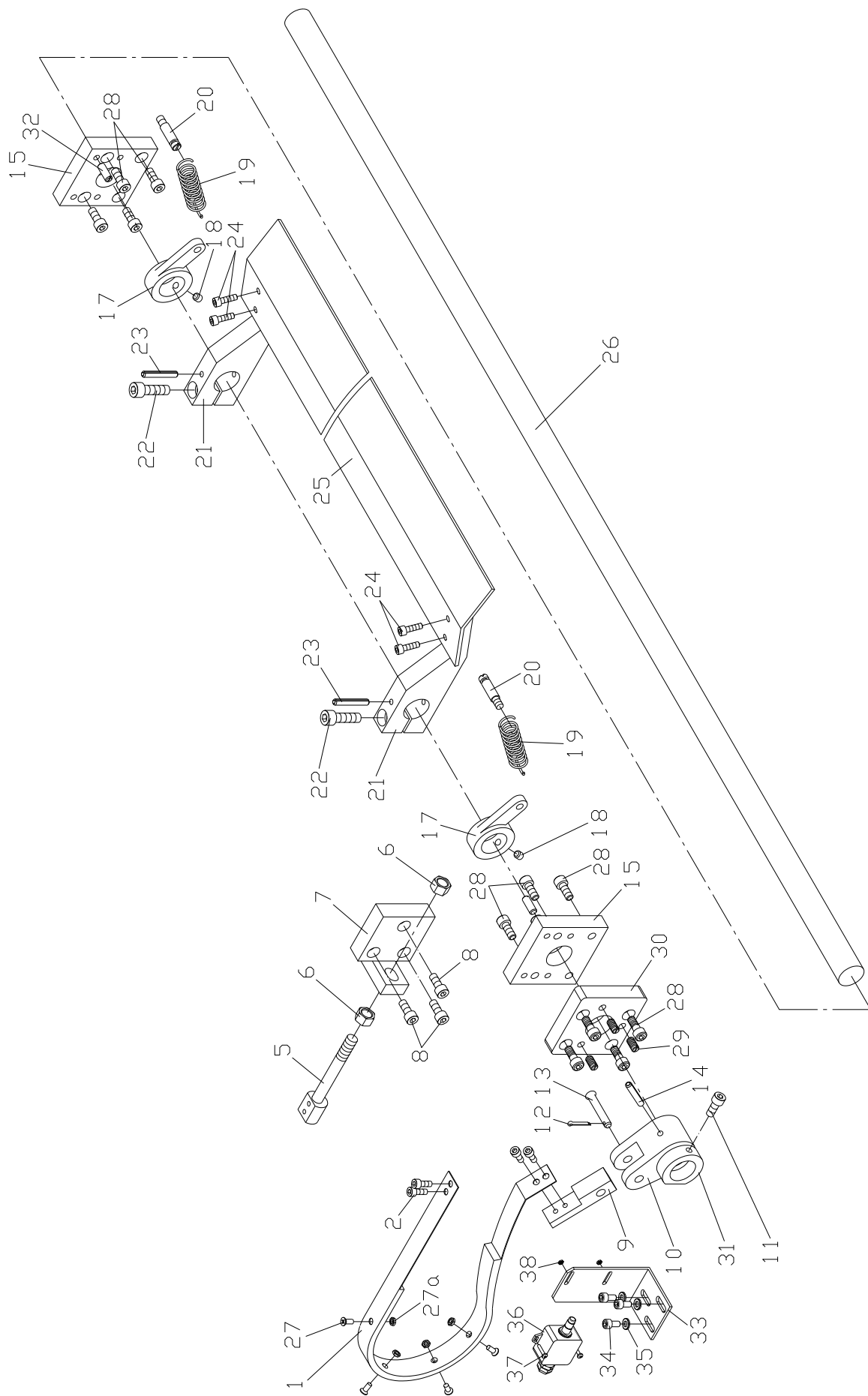
## Small Carriage Stop



## Small Carriage Stop

Index No.	Part No.	Description	Size	Qty.
1	TS-1492031	Hex Cap Screw	M12x35	2
2	C6266C01112	Clamping Plate		1
3	C6266C01111-G	Stop		1
4	GB119-12x40	Pin	12x40	1

# Brake Assembly



## Brake Assembly

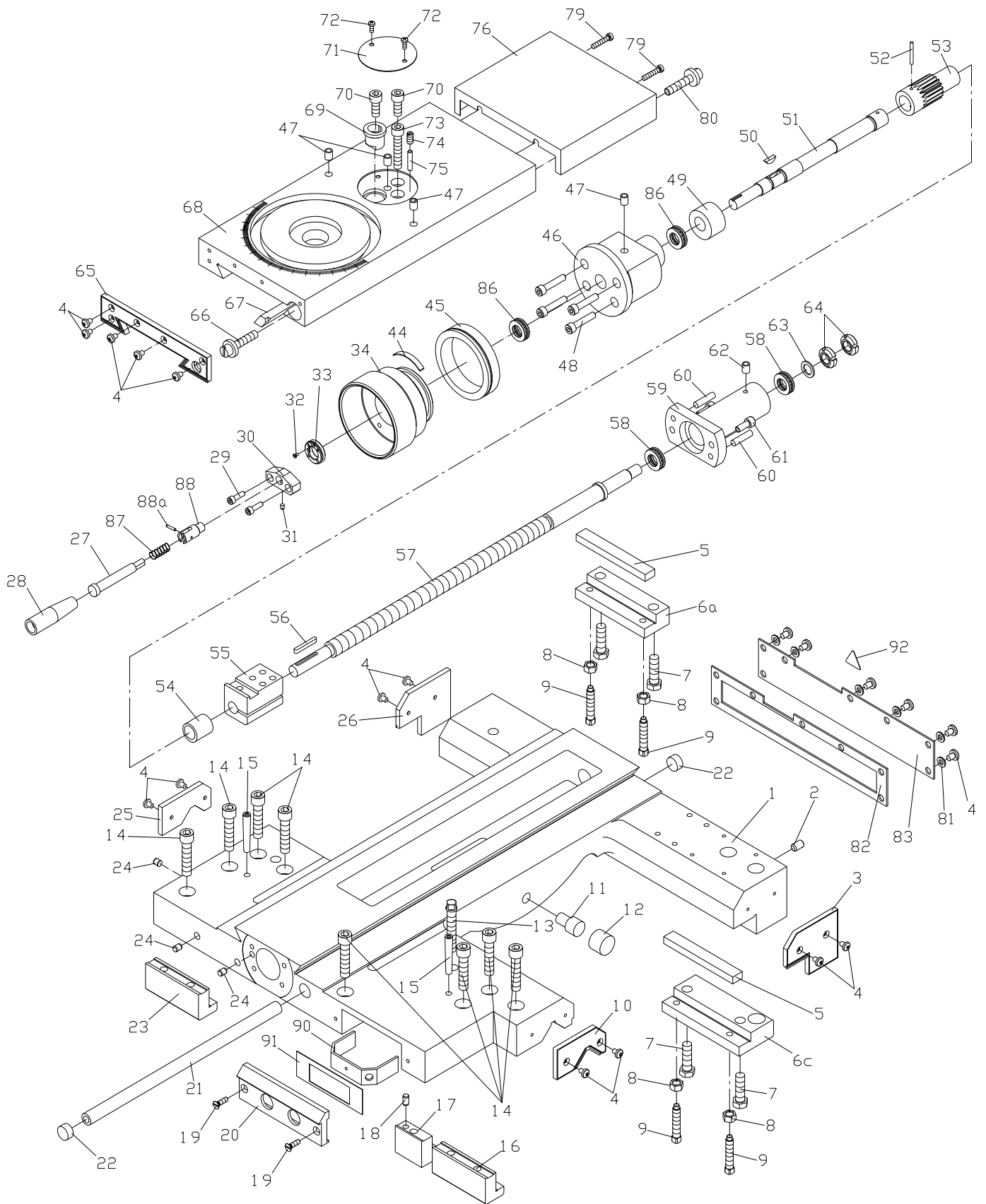
Index No.	Part No.	Description	Size	Qty.
1	C6266C22705	Braking Belt		1
2	GB70-M6x8	Hex Socket Cap Screw	M6x8	4
5	C6266C22704	Bolt		1
6	GB6170-M12	Hex Nut	M12	2
7	C6266C22103-G	Braking Belt Support		1
8	GB70-M8x20	Hex Socket Cap Screw	M8x20	3
9	C6266C22706	Brake Block		1
10	C6266C22104-G	Fork		1
11	GB70-M8x20	Hex Socket Cap Screw	M8x20	1
12	GB91-3x20	Screw	3x20	1
13	C6266C22707	Pin Shaft		1
14	GB879-5x35	Spring Pin	5x35	1
15	C6266C22101-G	Support (For GH-2640ZH, GH-2660ZH, GH-2680ZH)		2
	C6266C22101-G	Support (For GH-26120ZH only)		4
17	C6266C22102-G	Brake Support (For GH-2640ZH, GH-2660ZH, GH-2680ZH)		2
	C6266C22102-G	Brake Support (For GH-26120ZH only)		4
18	GB77-M8x8	Hex Socket Set Screws (For GH-2640ZH, GH-2660ZH, GH-2680ZH)		
			M8x8	2
	GB77-M8x8	Hex Socket Set Screws (For GH-26120ZH only)	M8x8	4
19	Q81-1-2.5x18x80	Spring (For GH-2640ZH, GH-2660ZH, GH-2680ZH)	2.5x18x80	2
	Q81-1-2.5x18x80	Spring (For GH-26120ZH only)	2.5x18 x80	4
20	C6266C22702	Screw (For GH-2640ZH, GH-2660ZH, GH-2680ZH)		2
	C6266C22702	Screw (For GH-26120ZH only)		4
21	C6266C22105-G	Brake Support (For GH-2640ZH only)		2
	C6266C22105-G	Brake Support (For GH-2660ZH, GH-2680ZH)		3
	C6266C22105-G	Brake Support (For GH-26120ZH only)		6
22	GB70-M10x35	Hex Socket Cap Screw (For GH-2640ZH only)	M10x35	2
	GB70-M10x35	Hex Socket Cap Screw (For GH-2660ZH, GH-2680ZH)	M10x35	3
	GB70-M10x35	Hex Socket Cap Screw (For GH-26120ZH only)	M10x35	6
23	GB879-6x45	Spring Pin (For GH-260ZH only)	6x45	2
	GB879-6x45	Spring Pin (For GH-2660ZH, GH-2680ZH)	6x45	3
	GB879-6x45	Spring Pin (For GH-26120ZH only)	6x45	6
24	GB70-M6x20	Hex Socket Cap Screw (For GH-2640ZH only)	M6x20	4
	GB70-M6x20	Hex Socket Cap Screw (For GH-2660ZH, GH-2680ZH)	M6x20	6
	GB70-M6x20	Hex Socket Cap Screw (For GH-26120ZH only)	M6x20	12
25	C6266C22708A-G	Pedal (For GH-2640ZH only)		1
	C6266C22708B-G	Pedal (For GH-2660ZH only)		1
	C6266C22708C-G	Pedal (For GH-2680ZH only)		1
	C6266C22708D-G	Pedal (For GH-26120ZH only)		2
26	C6266C22703A-G	Shaft (For GH-2640ZH only)		1
	C6266C22703B-G	Shaft (For GH-2660ZH only)		1
	C6266C22703C-G	Shaft (For GH-2680ZH only)		1
	C6266C22703D-G	Shaft (For GH-26120ZH only)		1
27	GB819-M5x12	Cross Recessed Countersunk Head Screw	M5x12	4
27a	GB6172-M5	Hex Nut	M5	4
28	GB70-M8x20	Hex Socket Cap Screw (For GH-2640ZH, GH-2660ZH, GH-2680ZH)		
			M8x20	12
	GB70-M8x20	Hex Socket Cap Screw (For GH-26120ZH only)	M8x20	20
29	GB78-M8x16	Hex Socket Cap Screw	M8x16	3
30	C6266C22106-G	Support		1

## Brake Assembly

Index	Part			
No.	No.	Description	Size	Qty.
31	C6266C22107-G	Sleeve		1
32	C6266C22701	Screw (For GH-2640ZH, GH-2660ZH, GH-2680ZH)		2
	C6266C22701	Screw (For GH-26120ZH only)		4
33	C6266C18705-G	Bracket		1
34	GB70-M6x12	Hex Socket Cap Screw	M6x12	3
35	GB97.2-6	Flat Washer	6	3
36	ZH-SQ2	Limit Switch	JW2-11H/W1	1
37	GB818-M4x20	Cross Recessed Pan Head Screw	M4x20	2
38	GB6172-M6	Hex Nut	M6	2



# Carriage Assembly I



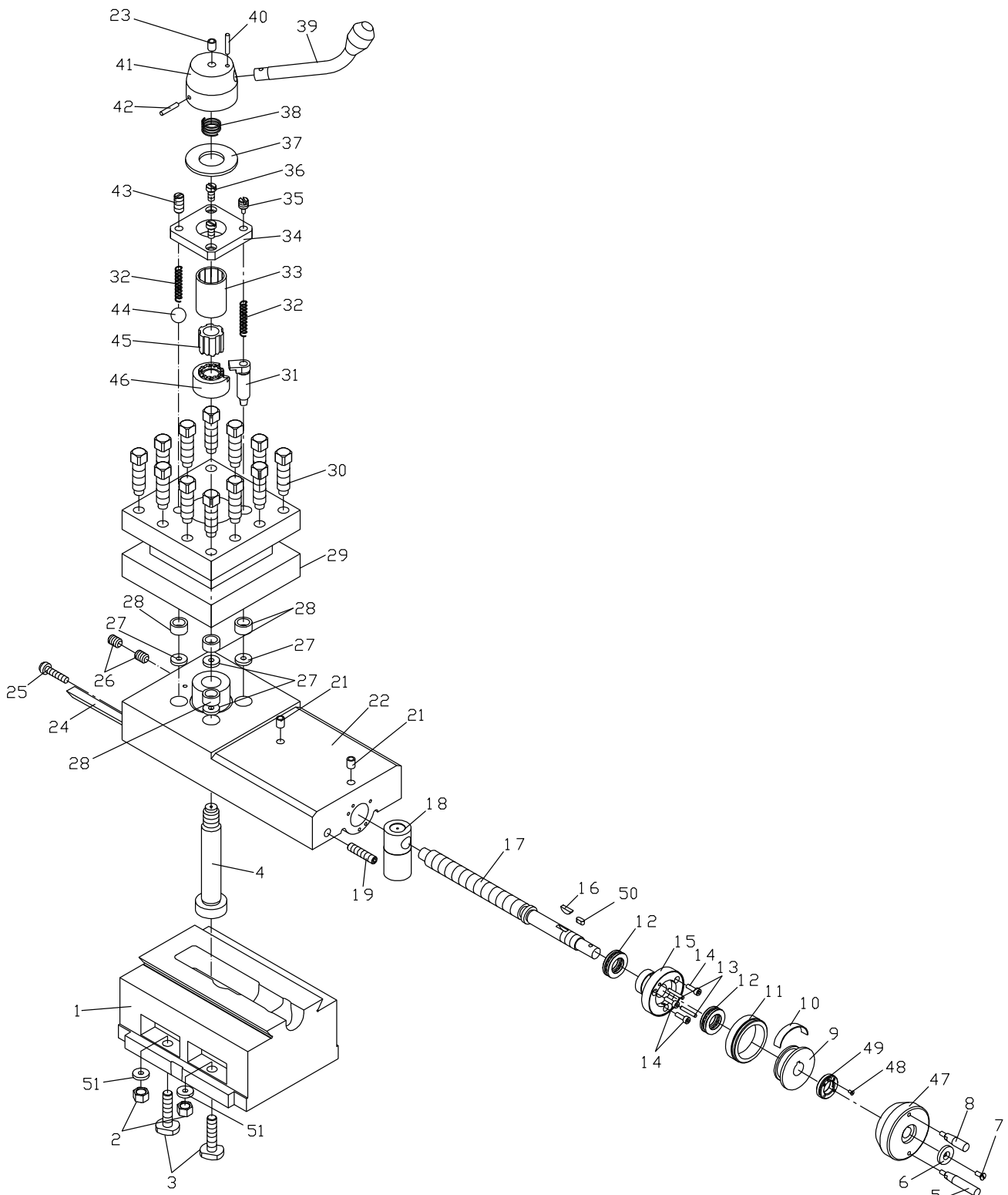
## Carriage Assembly I

Index No.	Part No.	Description	Size	Qty.
1	C6266C04101A-G	Slide		1
2	GB73-M10x16	Slotted Set Screw	M10x16	1
3	C6140W04503	Wipe Plate		1
4	GB819-M5x16	Cross Recessed Countersunk Head Screw (serial #1601ZH0793 and lower)	M5x16	19
	GB2672-M5x16	Screw (serial #1601ZH0794 and higher)	M5x16	19
5	C6140W04107	Lining Plate		2
6a	C6140W04718	Clamping Plate		1
6c	C6140W04720	Clamping Plate		1
7	GB70-M12x45	Hex Socket Cap Screw	M12x45	4
8	GB6170-M10	Hex Nut	M10	4
9	GB85-M10x35	Square Set Screw	M10x35	4
10	C6266C04504	Wipe Plate		1
11	1660R04788A	Stop Pin		1
12	1440R04507	Stop Pin Cap		1
13	GB83-M12x70	Square Cap Bolt	M12x70	1
14	GB70-M12x55	Hex Socket Cap Screw	M12x55	8
15	GB119-8x70	Pin	8x70	2
16	C6140W04713	Front Clamping Plate		1
17	C6140W04712	Locking Plate		1
18	GB119-8n6x20	Pin	8n6x20	1
19	GB68-M6x22	Recessed Countersunk Head Screw	M6x22	2
20	C6140W04715	Switch Seat		1
21	C6140W04711	Line Pipe		1
22	C6140W04106	Plug		2
23	C6140W04720	Back Clamping Block		1
24	GB119-8n6x10	Pin (serial #1601ZH0793 and lower)	8n6x10	3
	G38-3A-Z1/8"	Oil Plug Screw (serial #1601ZH0794 and higher)	Z1/8"	3
25	C6266C04503	Wipe Plate		1
26	C6140W04504	Wipe Plate		1
27	C6266C04756T-G	Lever Shaft (serial #1701ZH0833 and higher)		1
28	ZH-T27	Handle (serial #1611ZH0832 and lower)		1
	C6266C04757T-G	Lever Sleeve (serial #1701ZH0833 and higher)		1
29	GB70-M6x20	Hex Socket Cap Screw (serial #1611ZH0832 and lower)	M6x20	2
	GB70-M6x18	Hex Socket Cap Screw (serial #1701ZH0833 and higher)	M6x18	2
30	C6266C04756J	Fixed Seat (serial #1611ZH0832 and lower)		1
	C6266C04756JA	Fixed Seat (serial #1701ZH0833 and higher)		1
31	GB70-M6x12	Hex Socket Cap Screw (serial #1611ZH0832 and lower)	M6x12	1
	GB71-M5x8	Hex Socket Set Screw With Flat Point (serial #1701ZH0833 and higher)	M5x8	1
32	GB68-M3x6	Slotted Head Screw (serial #0811ZH0352 and higher)	M3x6	1
33	C6266C04758T	Locking Nut (serial #0811ZH0352 and higher)		1
34	C6266C04755J-G	Handle Seat (serial #0811ZH0352 and higher)		1
44	C6266C04718	Spring Leaf		1
45	C6266C04735G (m)	Dial		1
46	C6266C04107	Screw Support (serial #0809ZH0351 and lower)		1
	C6266C04107J	Screw Support (serial #0811ZH0352 and higher)		1
47	GB1155-6	Oil Cup	6	1
48	GB70-M8x20	Hex Socket Cap Screw (serial #0809ZH0351 and lower)	M8x20	4
	GB70-M8x40	Hex Socket Cap Screw (serial #0811ZH0352 and higher)	M8x40	4

## Carriage Assembly I

Index No.	Part No.	Description	Size	Qty.
49	C6266C04109A	Sleeve		1
50	GB1099-5x19	Woodruff Key	5x19	1
51	C6266C04726	Shaft (serial #0809ZH0351 and lower)		1
	C6266C04726T	Shaft (serial #0811ZH0352 and higher)		1
52	GB117-4x35	Taper Pin	4x35	1
53	C6266C04705	Shaft		1
54	C6266C04103	Sleeve		1
55	C6140W04301Y (m)	Nut		1
56	GB1096-5x40	Flat Key	5x40	1
57	C6266C04701 (m)	Lead Screw		1
58	51103-17x30x9	Thrust Bearing	17x30x9	2
59	C6266C04110-G	Bracket		1
60	GB117-8x30	Taper Pin	8x30	2
61	GB70-M8x20	Hex Socket Cap Screw	M8x20	2
62	GB1155-6	Oil Cup	6	1
63	C6266C04702	Spacer		1
64	GB812-M14x1.5	Round Nut	M14x1.5	2
65	C6266C04501	Wipe Plate		1
66	C6266C04727	Gib Setting Screw		1
67	C6266C04728A	Cross Slide Gib		1
68	C6266C04102A	Cross Slide (serial #1107ZH0488 and lower)		1
	C6266C04102C	Cross Slide (serial #1107ZH0489 and higher)		1
69	C6266C04704	Sleeve		1
70	GB70-M10x45	Hex Socket Cap Screw	M10x45	2
71	C6140W04714	Cover		1
72	GB818-M5x8	Cross Recessed Pan Head Screw	M5x8	2
73	GB70-M10x75	Hex Socket Cap Screw	M10x75	1
74	GB73-M8x40	Slotted Set Screw	M8x40	1
75	GB119-6x35	Pin	6x35	1
76	C6266C04703B-G	Splash Guard		1
79	GB65-M6x12	Slotted Socket Cap Screw	M6x12	2
80	C6266C04727	Gib Adjusting Screw		2
81	GB97.2-5	Flat Washer	5	7
82	C6266C04502A	Gasket		1
83	C6266C04729A-G	Cover		1
84	C6266CCA84	Turcite-B (not shown)	620x50x0.8	1
85	C6266CCA85	Turcite-B (not shown)	620x30x0.8	2
86	51104	Bearing (serial #1204ZH0543 and higher)		2
87	Q81-1-1.4x13x48	Spring (serial #1701ZH0833 and higher)	1.4x13x48	1
88	C6266C04755T-G	Sleeve (serial #1701ZH0833 and higher)		1
88a	GB119-3x16	Pin (serial #1701ZH0833 and higher)	3x16	1
90	C6266C18501	Bracket		1
91	C6266C18502	Gasket		1
92	C613618302	Electrical Warning Label		1

# Carriage Assembly II



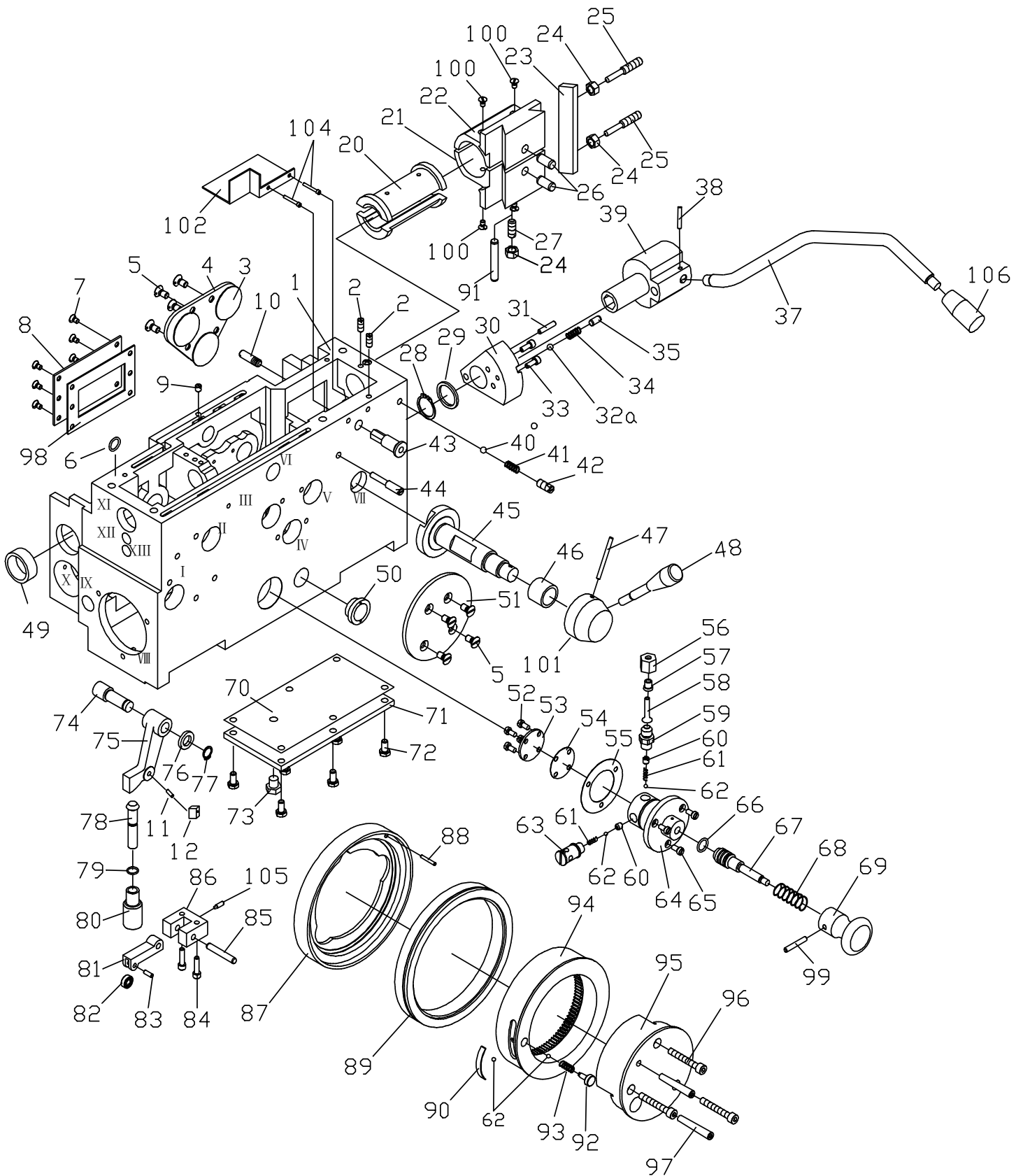
## Carriage Assembly II

Index No.	Part No.	Description	Size	Qty.
1	C6266C04104	Revolving Plate		1
2	GB6170-M12	Hex Nut	M12	4
3	C6266C04706	Compound Screw		4
4	C6266C04707	Shaft		1
5	C6140W04737	Handle (serial #0809ZH0351 and lower)		1
	C6266C04758J-G	Handle (serial #0811ZH0352 and higher)		1
6	GB891- B25	Shaft End Ring (serial #0811ZH0352 and higher)	B25	1
7	GB117-5x30	Taper Pin (serial #0809ZH0351 and lower)	5x30	1
	GB819- M5 x 12	Cross Recessed Head Screw (serial #0811ZH0352 and higher)	M5x12	1
8	C6140W04737	Handle (serial #0809ZH0351 and lower)		1
	C6266C04757J-G	Handle (serial #0811ZH0352 and higher)		1
9	C6140W04110	Dial		1
10	C6140W04739	Spring Leaf		1
11	C6266C04736G (m)	Dial		1
12	51104	Thrust Bearing	20x35x10	2
13	GB117-4x25	Taper Pin	4x25	2
14	GB70-M5x14	Hex Socket Cap Screw	M5x14	3
15	C6140W04111	Bearing		1
16	GB1099-5x7.5x19	Half Circle Key	5x7.5x19	1
17	C6140W04741 (m)	Lead Screw (serial #0809ZH0351 and lower)		1
	C6266C04734J	Lead Screw (serial #0811ZH0352 and higher)		1
18	C6266C04301Y(m)	Nut		1
19	GB77-M12x70	Hex Socket Set Screw	M12x70	1
21	GB1155-10	Oil Cup	10	2
22	C6266C04105	Longitudinal Slide		1
23	GB1155-6	Oil Cup	6	1
24	C6266C04717	Slide Gib		1
25	C6266C04716	Adjust Screw		1
26	GB73-M10x20	Slotted Set Screw	M10x20	2
27	C6140W04727	Washer		4
28	C6140W04728	Positioning Sleeve		4
29	C6266C04708	Tool Post (serial #0809ZH0351 and lower)		1
	C6266C04708J	Tool Post (serial #0811ZH0352 and higher)		1
30	GB83-M16x50	Square Cap Bolt	M16x50	12
31	C6266C04715	Positioning Pin		1
32	Q81-1-1.6x8x98	Spring	1.6x8x98	2
33	C6266C04712	Spline		1
34	C6266C04709	Flange Disc		1
35	C6140W04732	Bolt		1
36	GB70-M8x16	Hex Socket Cap Screw	M8x16	2
37	C6266C04710	Adjust Washer		1
38	Q81-1-3x32x55	Spring	3x32x55	1
39	C6266C04711-G	Handle		1
40	GB119-5n6x30	Pin	5n6x30	1
41	C6266C04106-G	Lever Support		1
42	GB117-4x40	Taper Pin	4x40	1
43	GB73-M12x14	Slotted Set Screw	M12x14	1
44	GB308-19	Boll	19	1
45	C6266C04713	Connector		1

## Carriage Assembly II

Index	Part			
No.	No.	Description	Size	Qty.
46	C6266C04714	Connector		1
47	C6140W04738	Lever (serial #0809ZH0351 and lower)		1
	C6266C04752JA-G	Handle Seat (serial #0811ZH0352 and higher)		1
48	GB812-M18x1.5	Round Nut (serial #0809ZH0351 and lower)	M18x1.5	1
	GB819-M3×6	Cross Recessed Countersunk Head Screw (serial #0811ZH0352 and higher)	M3×6	1
49	GB812-M18 x 1.5	Round Nut (serial #0809ZH0351 and lower)	M18 x 1.5	1
	C6266C04758T	Locking Nut (serial #0811ZH0352 and higher)		1
50	GB1096-5x12	Flat Key (serial #0811ZH0352 and higher)	5x12	1
51	GB97.2-12	Flat Washer	12	4

# Apron Assembly I



## Apron Assembly I

Index No.	Part No.	Description	Size	Qty.
1	C6266C06101-G	Apron Casting		1
2	GB71-M8x10	Set Screw	M8x10	2
3	C6266C06506	Gasket		1
4	C6140W06750	Back Cover		1
5	GB819-M8x16	Cross Recessed Countersunk Head Screw	M8x16	8
6	GB3452.1-8.75x1.8G	Ring Seal	8.75x1.8G	1
7	GB68-M6x10	Slotted Head Screw	M6x10	4
8	C6140W06731	Cover		1
9	GB71-M6x10	Slotted Set Screw	M6x10	1
10	GB878-10x35	Parallel Pins With External Thread	10x35	1
11	GB1096-6x14	Pin	6x14	1
12	C6140W06715	Block		1
20	C6140W06302Y	Half Nut (For Metric style)		1
21	C6140W06107	Lower Nut		1
22	C6140W06108	Upper Nut		1
23	C6140W06759	Gib		1
24	GB6170-M10	Hex Nut	M10	2
25	C6140W06758	Cylindrical End Set Screw		2
26	GB119-12x25	Pin	12x25	2
27	GB73-M10x25	Slotted Set Screw	M10x25	1
28	GB894.1-30	C-clip For Shaft	30	1
29	C6140W06755	Spacer		1
30	C6266C06105-G	Positioning Block(serial # 1905ZH0995 and lower)		1
	C6266C06731	Positioning Block(serial # 1907ZH1018 and higher)		1
	C6266C06731	Positioning Block(serial # 2002ZH1087 and lower)		1
	C6266C06731A	Positioning Block(serial # 2004ZH1088 and higher)		1
31	GB117-6x35	Taper Pin(serial # 2004ZH1088 and higher)	6x35	1
32a	GB308-10	Steel Ball(serial #1907ZH1018and higher)	10	1
33	GB70-M6x16	Hex Socket Cap Screw(serial #1905ZH0995and lower)	M6x16	2
	GB70-M6x20	Hex Socket Cap Screw(serial #1907ZH1018and higher)	M6x20	2
34	Q81-1-1.2x8x22	Spring(serial #1905ZH0995and lower)	1.2x8x22	1
	Q81-1-2x8x25	Spring(serial #1907ZH1018and higher)	2x8x25	1
35	GB119-8x14	Pin(serial #1905ZH0995and lower)	8x14	1
	GB73-M12x12	Slotted Set Screw (serial #1907ZH1018and higher)	M12x12	1
37	C6266C06711	Control Handle (serial # 0803ZH0086 and lower)		1
	C6266C06711J-G	Control Handle (serial # 0803ZH0087 and higher)		1
38	GB117-5x30	Taper Pin	5x30	1
39	C6266C06710	Positioning Sleeve(serial # 1905ZH0995 and lower)		1
	C6266C06710C	Positioning Sleeve(serial # 1907ZH1018 and higher)		1
40	GB308-10	Steel Ball	10	1
41	Q81-1-1.5x8x35	Spring	1.5x8x35	1
42	GB73-M12x14	Slotted Set Screw	M12x14	1
43	C6266C06A780	Positioning Sleeve		1
44	C6140W06716	Bolt		1
45	C6140W06725	Shaft (VII)		1
46	C6140W06303Y	Sleeve		1
47	GB117-5x60	Pin	5x60	1
48	C6140W02801-G	Handle		1
49	C6266C06104	Sleeve		1
50	R51-2-M27x1.5	Oil Sight Glass	M27x1.5	1
51	C6140W06760-G	Front Cover		1



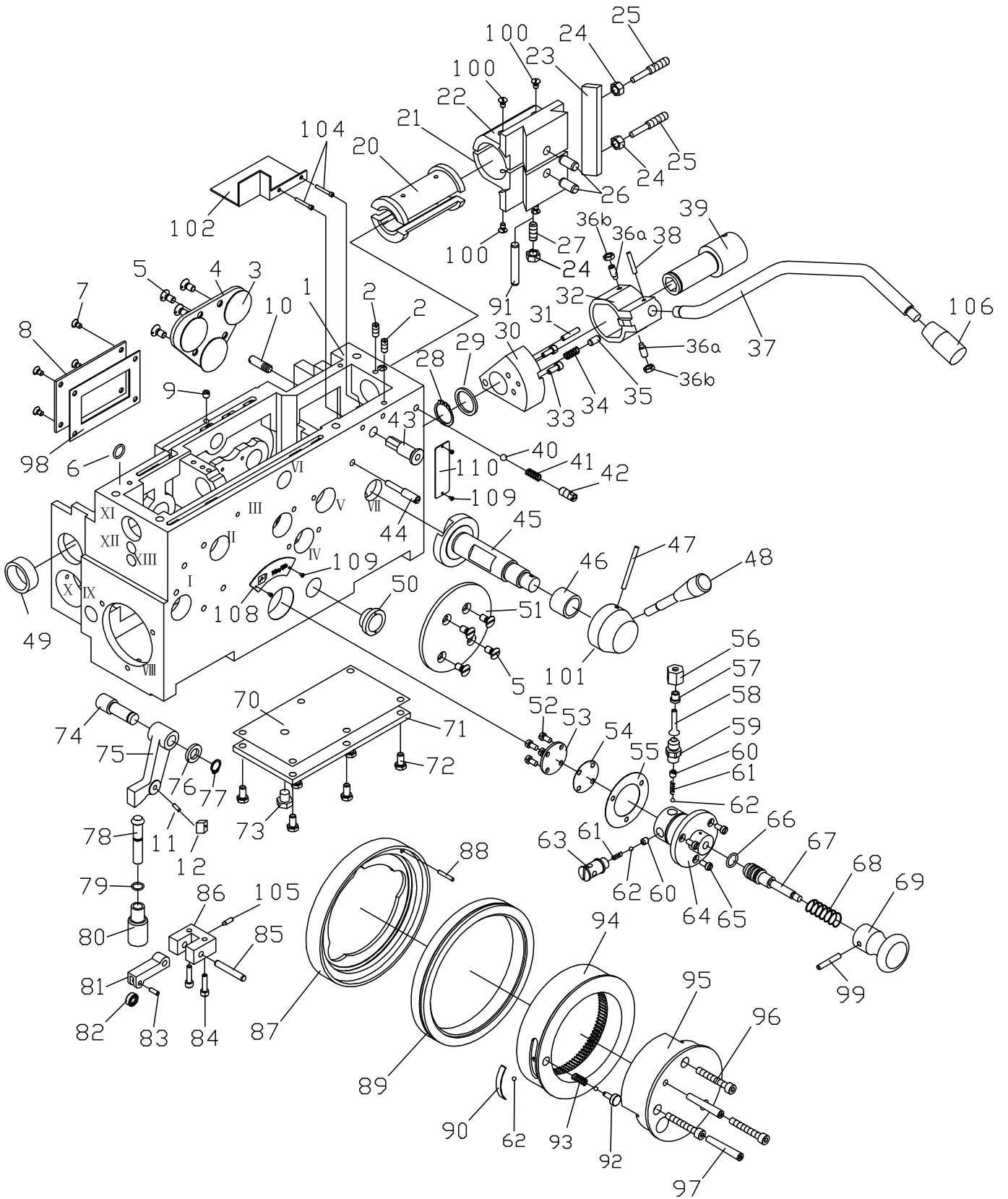
## Apron Assembly I

Index No.	Part No.	Description	Size	Qty.
52	GB65-M6x10	Slotted Socket Cap Screw	M6x10	4
53	C6266C06713	Pump Cover		1
54	C6266C06505	Gasket		1
55	C6266C06504	Gasket		1
56	Y91-1A-8	Nut	8	1
57	C6266C06727	Sleeve		1
58	T3-M	Copper Pipe	Ø6x0.75x450	1
59	C6266C06726	Valve		1
60	C6266C06714	Adjust Bolt		2
61	Q81-1-0.3x3x12	Spring	0.3x3x12	2
62	GB308-5	Steel Ball	5	4
63	C6266C06715	Oil Purifier		1
64	C6266C06107-G	Pump		1
65	GB65-M6x12	Slotted Socket Cap Screw	M6x12	3
66	G51-2A-20x2.4	Ring Seal	20x2.4	1
67	C6266C06712	Piston-rod (serial # 0803ZH0086 and lower)		1
	C6266C06712J	Piston-rod (serial # 0803ZH0087 and higher)		1
68	Q81-1-1.2x19x70	Spring	1.2x19x70	1
69	GB4141.11-M8x25	Ball (serial # 0803ZH0086 and lower)	M8x25	1
	1440R04783-G	Knob (serial # 0803ZH0087 and higher)		1
70	C6266C06502	Gasket		1
71	C6266C06103-G	Bottom Cover		1
72	GB70-M8x12	Hex Socket Cap Screw	M8x12	6
73	GB38-2-M12x1.5	Drain Plug	M12x1.5	1
74	C6266C06725	Shaft		1
75	C6266C06109	Rocker		1
76	C6266C06724	Spacer		1
77	GB894.1-15	C-clip For Shaft	15	1
78	C6266C06721	Rod		1
79	G51-2A-12x1.9	Ring Seal	12x1.9	1
80	C6266C06723	Sleeve		1
81	C6266C06722	Block		1
82	606	Bearing	6x17x6	1
83	GB119-6x15	Pin	6x15	1
84	GB70- M6x25	Hex Socket Cap Screw	M6x25	2
85	GB119-8n6x45	Pin	8n6x45	1
86	C6266C06110	Positioning Block		1
87	C6140W06116-G	Bracket Disk (For Metric style)		1
88	GB119-6x25	Pin	6x25	1
89	C6140W06761	Dial (For Metric style)		1
90	C6140W06769	Spring Leaf		1
91	GB119-8h8x50	Pin	8h8x50	1
92	C6140W06768	Eccentric Shaft (serial # 0804ZH0125 and lower)		1
	C628006730	Eccentric Shaft (serial # 0805ZH0126 and higher)		1
93	GB119-3n6x22	Pin (serial # 0804ZH0125 and lower)	3n6x22	1
	Q81-1-0.4x3x10	Spring (serial # 0805ZH0126 and higher)	0.4x3x10	1
94	C6140W06762	Gear (For Metric style) (serial # 0804ZH0125 and lower)		1
	C6140W06762A	Gear (For Metric style) (serial # 0805ZH0126 and higher)		1
95	C6140W06117	Bracket (For Metric style)		1
96	GB70-M8x55	Hex Socket Cap Screw	M8x55	3

## Apron Assembly I

Index No.	Part No.	Description	Size	Qty.
97	GB119-12n6x40	Pin	12n6x40	2
98	C6266C06501	Gasket		1
99	GB117-4x18	Taper Pin	4x18	1
100	GB68-M6x12	Recessed Countersunk Head Screw	M6x12	4
101	C6140W06109-G	Handle Seat		1
102	C6266C06740J	Wire Baffle (serial #1301ZH0609 and higher)		1
104	GB70-5x25	Hex Socket Cap Screw (serial #1301ZH0609 and higher)	5x25	2
105	GB75-5x16	Slotted Cylindrical End Set Screw	5x16	1
106	C6266C06702	Level Sleeve		1
108	C6266C06303	Label (serial #1608ZH0809 and lower)		1
	C6266C06303-10	Label (serial #1608ZH0810 and higher)		1
109	GB818-M3x6	Cross Recessed Pan Head Screw (serial #1601ZH0793 and lower)		
			M3x6	4
	GB2672-M3x6	Screw (serial #1601ZH0794 and higher)	M3x6	4
110	C6266C06305	Label (serial #1608ZH0809 and lower)		1
	C6266C06305-1	Label (serial #1608ZH0810 and higher)		1

## Apron Assembly II (for GH-26120ZH only)



## Apron Assembly II (for GH-26120ZH only)

Index No.	Part No.	Description	Size	Qty.
1	C6266C06101-G	Apron Casting		1
2	GB71-M8x10	Set Screw	M8x10	2
3	C6266C06506	Gasket		1
4	C6140W06750	Back Cover		1
5	GB819-M8x16	Cross Recessed Countersunk Head Screw	M8x16	8
6	GB3452.1-8.75x1.8G	Ring Seal	8.75x1.8G	1
7	GB68-M6x10	Slotted Head Screw	M6x10	4
8	C6140W06731	Cover		1
9	GB71-M6x10	Slotted Set Screw	M6x10	1
10	GB878-10x35	Parallel Pins With External Thread	10x35	1
11	GB1096-6x14	Pin	6x14	1
12	C6140W06715	Block		1
20	C6140W06302Y	Half Nut (For Metric style)		1
21	C6140W06107	Lower Nut		1
22	C6140W06108	Upper Nut		1
23	C6140W06759	Gib		1
24	GB6170-M10	Hex Nut	M10	2
25	C6140W06758	Cylindrical End Set Screw		2
26	GB119-12x25	Pin	12x25	2
27	GB73-M10x25	Slotted Set Screw	M10x25	1
28	GB894.1-30	C-clip For Shaft	30	1
29	C6140W06755	Spacer		1
30	C6266C06105-G	Positioning Block		1
31	GB117-6x35	Taper Pin	6x35	1
32	C6266C06106-G	Lever Support		1
33	GB70-M6x16	Hex Socket Cap Screw	M6x16	2
34	Q81-1-1.2x8x22	Spring	1.2x8x22	1
35	GB119-8x14	Pin	8x14	1
36a	GB79-M8x20	Hex Socket Set Screw	M8x20	2
36b	GB6172-M8	Hex Nut	M8	2
37	C6266C06711	Control Handle (serial # 0803ZH0086 and lower)		1
	C6266C06711J-G	Control Handle (serial # 0803ZH0087 and higher)		1
38	GB117-5x30	Taper Pin	5x30	1
39	C6266C06710	Positioning Sleeve		1
40	GB308-10	Steel Ball	10	1
41	Q81-1-1.5x8x35	Spring	1.5x8x35	1
42	GB73-M12x14	Slotted Set Screw	M12x14	1
43	C6266C06A780	Positioning Sleeve		1
44	C6140W06716	Bolt		1
45	C6140W06725	Shaft (VII)		1
46	C6140W06303Y	Sleeve		1
47	GB117-5x60	Pin	5x60	1
48	C6140W02801-G	Handle		1
49	C6266C06104	Sleeve		1
50	R51-2-M27x1.5	Oil Sight Glass	M27x1.5	1
51	C6140W06760-G	Front Cover		1
52	GB65-M6x10	Slotted Socket Cap Screw	M6x10	4
53	C6266C06713	Pump Cover		1
54	C6266C06505	Gasket		1
55	C6266C06504	Gasket		1

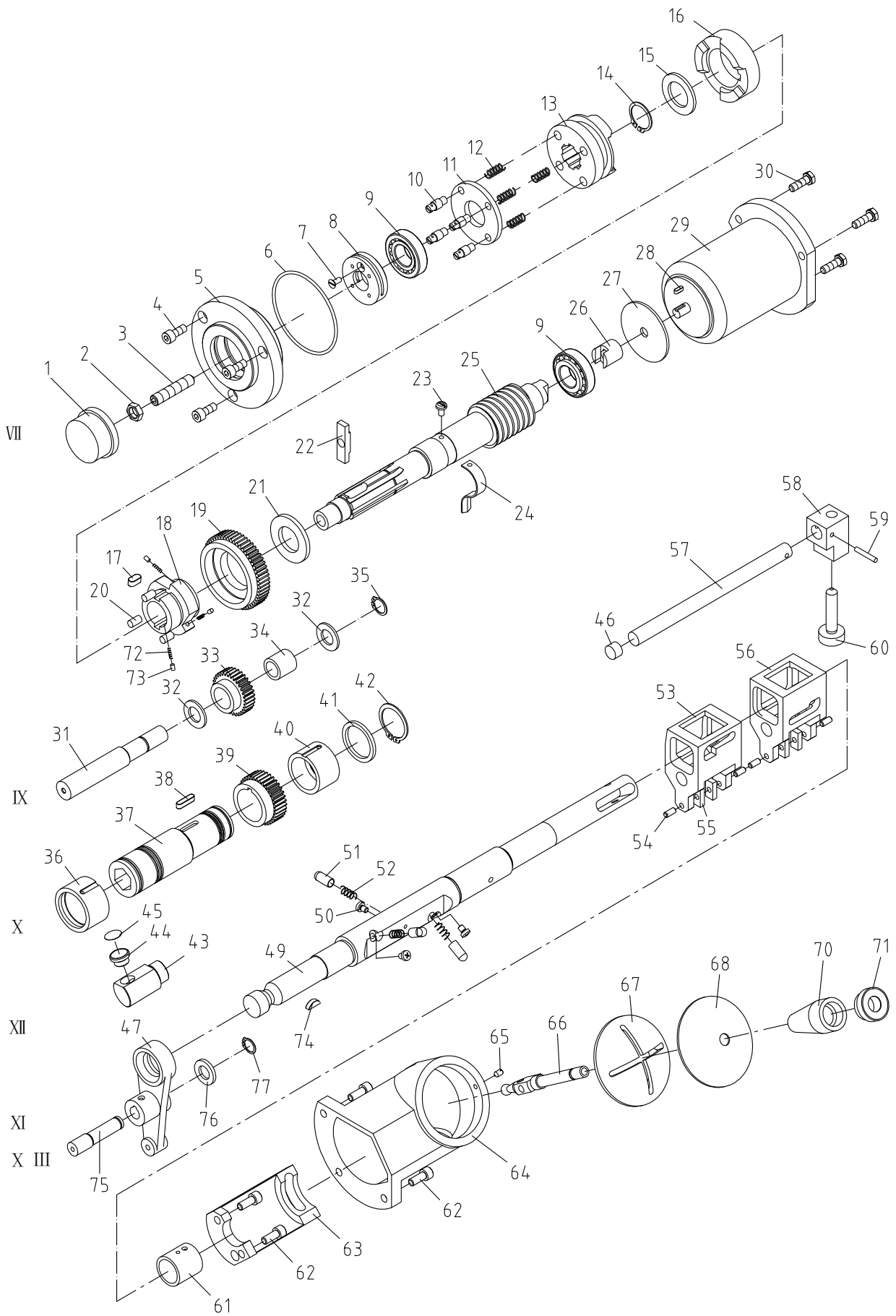
## Apron Assembly II (for GH-26120ZH only)

Index No.	Part No.	Description	Size	Qty.
56	Y91-1A-8	Nut	8	1
57	C6266C06727	Sleeve		1
58	T3-M	Copper Pipe	Ø6x0.75x450	1
59	C6266C06726	Valve		1
60	C6266C06714	Adjust Bolt		2
61	Q81-1-0.3x3x12	Spring	0.3x3x12	2
62	GB308-5	Steel Ball	5	4
63	C6266C06715	Oil Purifier		1
64	C6266C06107-G	Pump		1
65	GB65-M6x12	Slotted Socket Cap Screw	M6x12	3
66	G51-2A-20x2.4	Ring Seal	20x2.4	1
67	C6266C06712	Piston-rod (serial # 0803ZH0086 and lower)		1
	C6266C06712J	Piston-rod (serial # 0803ZH0087 and higher)		1
68	Q81-1-1.2x19x70	Spring	1.2x19x70	1
69	GB4141.11-M8x25	Ball (serial # 0803ZH0086 and lower)	M8x25	1
	1440R04783-G	Knob (serial # 0803ZH0087 and higher)		1
70	C6266C06502	Gasket		1
71	C6266C06103-G	Bottom Cover		1
72	GB70-M8x12	Hex Socket Cap Screw	M8x12	6
73	GB38-2-M12x1.5	Drain Plug	M12x1.5	1
74	C6266C06725	Shaft		1
75	C6266C06109	Rocker		1
76	C6266C06724	Spacer		1
77	GB894.1-15	C-clip For Shaft	15	1
78	C6266C06721	Rod		1
79	G51-2A-12x1.9	Ring Seal	12x1.9	1
80	C6266C06723	Sleeve		1
81	C6266C06722	Block		1
82	606	Bearing	6x17x6	1
83	GB119-6x15	Pin	6x15	1
84	GB70-M6x25	Hex Socket Cap Screw	M6x25	2
85	GB119-8n6x45	Pin	8n6x45	1
86	C6266C06110	Positioning Block		1
87	C6140W06116-G	Bracket Disk (For Metric style)		1
88	GB119-6x25	Pin	6x25	1
89	C6140W06761	Dial (For Metric style)		1
90	C6140W06769	Spring Leaf		1
91	GB119-8h8x50	Pin	8h8x50	1
92	C6140W06768	Eccentric Shaft (serial # 0804ZH0125 and lower)		1
	C628006730	Eccentric Shaft (serial # 0805ZH0126 and higher)		1
93	GB119-3n6x22	Pin (serial # 0804ZH0125 and lower)	3n6x22	1
	Q81-1-0.4x3x10	Spring (serial # 0805ZH0126 and higher)	0.4x3x10	1
94	C6140W06762	Gear (For Metric style) (serial # 0804ZH0125 and lower)		1
	C6140W06762A	Gear (For Metric style) (serial # 0805ZH0126 and higher)		1
95	C6140W06117	Bracket (For Metric style)		1
96	GB70-M8x55	Hex Socket Cap Screw	M8x55	3
97	GB119-12n6x40	Pin	12n6x40	2
98	C6266C06501	Gasket		1
99	GB117-4x18	Taper Pin	4x18	1
100	GB68-M6x12	Recessed Countersunk Head Screw	M6x12	4

## Apron Assembly II (for GH-26120ZH only)

Index No.	Part No.	Description	Size	Qty.
101	C6140W06109-G	Handle Seat		1
102	C6266C06740J	Wire Baffle (serial #1301ZH0609 and higher)		1
104	GB70-5x25	Hex Socket Cap Screw (serial #1301ZH0609 and higher)	5x25	2
105	GB75-5x16	Slotted Cylindrical End Set Screw	5x16	1
106	C6266C06702-G	Level Sleeve		1
108	C6266C06303	Label (serial #1608ZH0809 and lower)		1
	C6266C06303-10	Label (serial #1608ZH0810 and higher)		1
109	GB818-M3x6	Cross Recessed Pan Head Screw (serial #1601ZH0793 and lower)		
			M3x6	4
	GB2672-M3x6	Screw (serial #1601ZH0794 and higher)	M3x6	4
110	C6266C06305	Label (serial #1608ZH0809 and lower)		1
	C6266C06305-1	Label (serial #1608ZH0810 and higher)		1

# Apron Assembly III



### Apron Assembly III

Index No.	Part No.	Description	Size	Qty.
1	C6140W06738	Adjust Knob		1
2	GB6172-M12	Hex Flat Nut	M12	1
3	GB78-M12x60	Hex Set Screw (serial #1307ZH0671 and lower)	M12x60	1
	C6266C-06779	Screw (serial #1309ZH0672 and higher)		1
4	GB70-M8x20	Hex Socket Cap Screw	M8x20	3
5	C6140W06111	Flange (serial #1307ZH0671 and lower)		1
	C6266C06111A-G	Flange (serial #1309ZH0672 and higher)		1
6	G51-2A-95x3.1	Ring Seal	95x3.1	1
7	GB68-M5x12	Recessed Countersunk Head Screw	M5x12	1
8	C6140W06739	Adjust C-clip		1
9	30502/P6-25x52x15	Bearing	25x52x15	2
10	C6266C06730	Bolt		4
11	C6140W06740	Collar		1
12	Q81-1-1x10x35	Spring (serial #1307ZH0671 and lower)	1x10x35	4
	Q81-1-1.2x10x35	Spring (serial #1309ZH0672 and higher)	1.2x10x35	4
13	C6266C06707	Clutch		1
14	GB894.1-30	C-clip For Shaft	30	1
15	C6266C06708	Spacer		1
16	C6266C06706	Clutch		1
17	GB1096-8x16	Flat Key	8x16	1
18	C6140W06708	Star Gear		1
19	C6140W06709	Gear		1
20	C6140W06726	Pin		3
21	C6140W06710	Spacer		1
22	C6140W06737	Block		1
23	GB67-M6x10	Slotted Pan Head Screw	M6x10	1
24	C6140W06729	Splash Leaf		1
25	C6266C06709	Worm (serial #1307ZH0671 and lower)		1
	C6266C06709A	Worm (serial #1309ZH0672 and higher)		1
26	C6140W06728	Motor Connector		1
27	C6266C06503	Spacer		1
28	GB1096-4x14	Flat Key	4x14	1
29	YSS5634-G	Rapid Feed Motor	370W 1400r/min	1
30	GB70-M8x30	Hex Socket Cap Screw	M8x30	3
31	C6140W06736	Shaft (IX)		1
32	C6140W06735	Spacer		2
33	C6140W06734	Gear		1
34	C6140W06306	Sleeve		1
35	GB894.1-16	C-clip For Shaft	16	1
36	C6140W06305	Sleeve		1
37	C6140W06733	Shaft (X)		1
38	GB1096-6x25	Flat Key	6x25	1
39	C6140W06732	Gear		1
40	C6140W06304	Sleeve		1
41	C6140W06730	Spacer		1
42	GB894.1-38	C-clip For Shaft	38	1
43	C6266C6704A	Oil Tap Cover		1
44	C6266C06705A	Oil Tap		1
45	C6266C04A311	Label (serial #1608ZH0809 and lower)		1
	C6266C04A311-1	Label (serial #1608ZH0810 and higher)		1



### Apron Assembly III

Index No.	Part No.	Description	Size	Qty.
46	C6266C06102	Plug		1
47	C6140W06103	Fork		1
49	C6140W06712	Control Shaft		1
50	GB67-M6x8	Slotted Pan Head Screw	M6x8	3
51	C6140W06701	Pin		3
52	Q81-1-1.6x8x22	Spring	1.6x8x22	3
53	C6140W06713	Left Fork		1
54	GB119-6n6x14	Pin	6n6x14	6
55	C6140W06715	Sliding Block		6
56	C6140W06714	Right Fork		1
57	C6140W06717	Shaft		1
58	C6140W06104	Interlocking Block		1
59	GB117-5x30	Taper Pin	5x30	1
60	C6140W06718	Shaft		1
61	C6266C06304	Sleeve		1
62	GB70-8x20	Hex Socket Cap Screw	8x20	5
63	C6140W06719	Bracket		1
64	C6140W06105-G	Bracket		1
65	GB71-M6x10	Slotted Set Screw	M6x10	1
66	C6140W06722-G	Handle		1
67	C6140W06106-G	Cross Cover		1
68	C6140W06501	Lever Cover		1
70	C6140W06721-G	Handle		1
71	C6140W06720-G	Seat		1
72	Q81-1-0.3x3x12	Spring	0.3x3x12	3
73	C6140W06727	Pin		3
75	C6140W06704	Shaft (XIII)		1
76	C6140W06705	Spacer		1
77	GB894.1-14	C-clip For Shaft	14	1
78	GB71-M5x6	Slotted Set Screw	M5x6	1



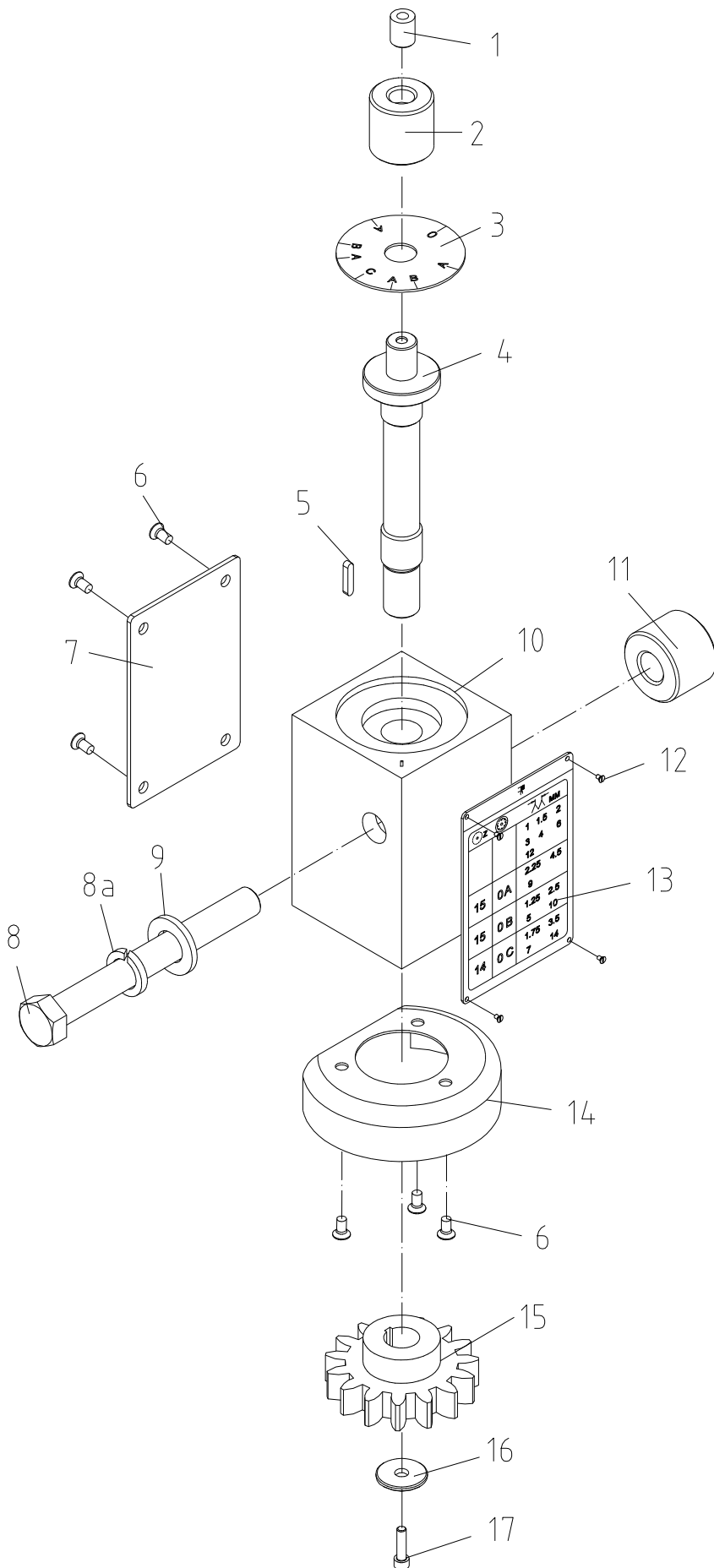
## Apron Assembly IV

Index No.	Part No.	Description	Size	Qty.
1	C6140W06751	Gear		1
2	GB71-M6x8	Slotted Set Screw	M6x8	2
3	C6140W06309	Sleeve		1
4	C6140W06752	Gear		1
5	C6266C06728	Shaft (VI)		1
6	C6140W06754	Spacer		1
7	GB894.1-20	C-clip For Shaft	20	1
8	C6140W06114	Plug		1
9	C6140W06113	Sleeve		3
10	C6140W06749	Gear		1
11	C6140W06308	Worm Wheel		1
12	GB72-M8x16	Slotted Set Screw	M8x16	1
13	GB1099-6x22	Woodruff Key	6x22	1
14	GB1099-8x28	Woodruff Key	8x28	1
15	C6140W06748	Shaft (IV)		1
16	C6140W06115	Sleeve		3
17	G51-2A-35x3.1	Ring Seal	35x3.1	3
18	C6140W06746	Gear		2
19	C6140W06307	Sleeve		4
20	GB71-M6x10	Slotted Set Screw	M6x10	4
21	C6140W06744	Gear		4
22	GB1099-5x16	Woodruff Key	5x16	2
23	C6140W06747	Shaft (III)		2
24	C6140W06745	Connector		2
25	C6140W06743	Shaft (II)		1
26	GB1099-8x28	Woodruff Key	8x28	1
27	G51-2A-32x3.5	Ring Seal	32x3.5	1
28	C6140W06742	Gear		1
29	C6140W06118	Sleeve		1
30	C6140W06764	Gear		1
31	GB117-5x35	Taper Pin (serial #1209ZH0608 and lower)	5x35	1
	GB877-5x40	Taper Pin (serial #1301ZH0609 and higher)	5x40	1
32	C6140W06112	Plug		1
33	C6140W06774	Spacer		1
34	Q81-1-1.6x18x25	Spring	1.6x18x25	1
35	C6140W06773	Connector		1
36	C6140W06772	Spacer		1
37	C6140W06311	Sleeve		1
38	C6140W06771	Gear		1
39	C6140W06770	Spacer		1
40	C6140W06120	Sleeve		1
41	G51-2A-18x2.4	Ring Seal	18x2.4	1
42	C6140W06775	Shaft (I)		1
43	GB91-4x25	Pin	4x25	1
44	GB1096-4x20	Flat Key	4x20	1
45	GB1099-5x16	Woodruff Key	5x16	1
46	C6266C06111-G	Handle Wheel		1
47	GB895-10	Steel C-clip	10	1
48	C6140W06766-G	Shaft		1
49	C6140W06765-G	Lever Sleeve		1

## Apron Assembly IV

Index No.	Part No.	Description	Size	Qty.
50	GB891-B25	Circlip	B25	1
51	GB68-M5x12	Recessed Countersunk Head Screw	M5x12	1
52	C6140W06763	Gear		1
53	C6140W06310Y	Sleeve		1
54	GB119-12n6x40	Pin	12n6x40	1
56	G51-2A-25x2.4	O Ring Seal	25x2.4	1

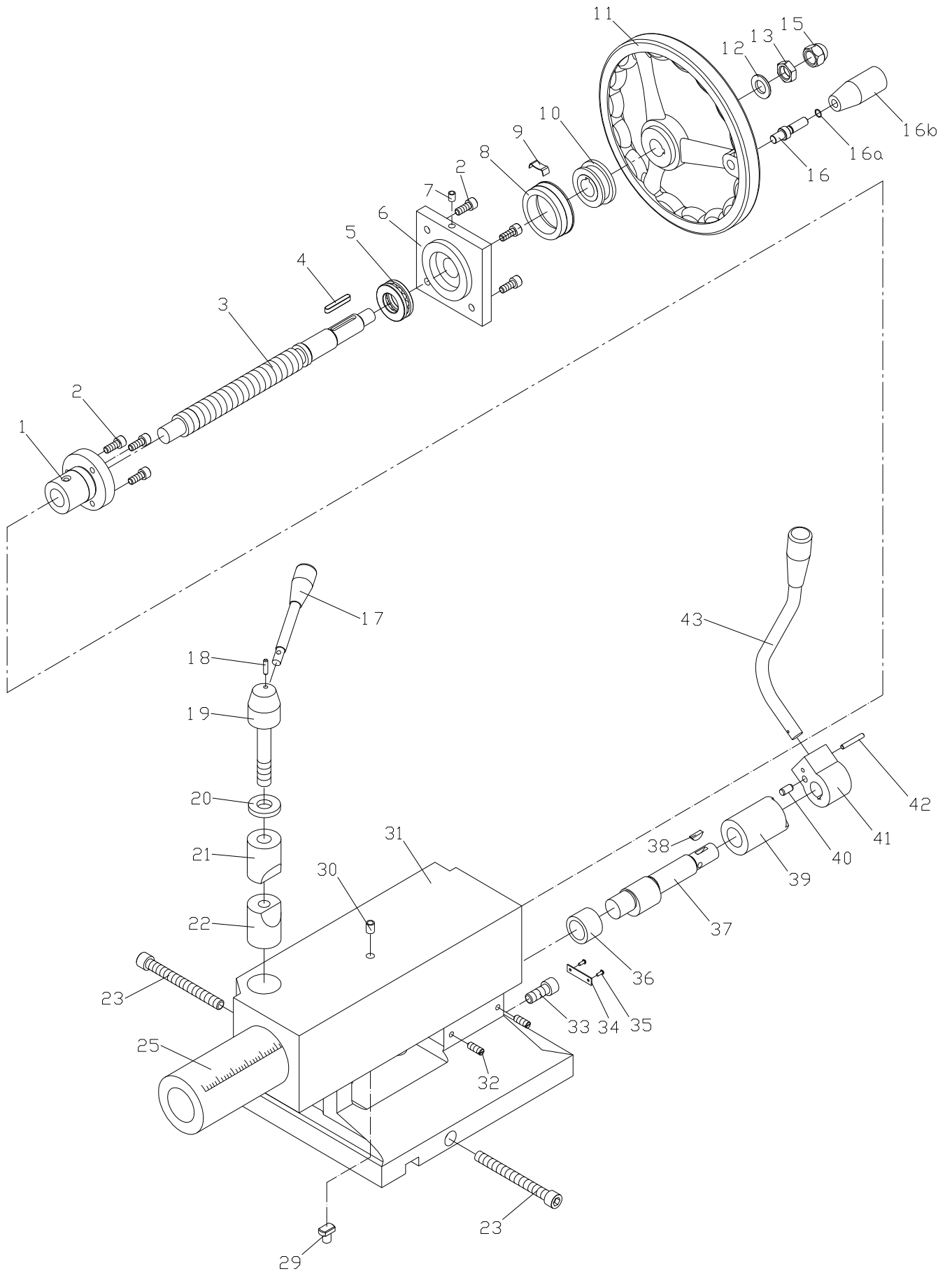
# Apron Assembly V



## Apron Assembly V

Index No.	Part No.	Description	Size	Qty.
1	GB1155-10	Oil Cup	10	1
2	C6266C11703	Handle		1
3	C6266C11301 (m)	Label (serial #1608ZH0809 and lower)		1
	C6266C11301-1(m)	Label (serial #1608ZH0810 and higher)		1
4	C6266C11702	Shaft		1
5	GB1096-4x15	Flat Key	4x15	1
6	GB818- M4x8	Cross Recessed Pan Head Screw	M4x8	7
7	C6266C11701	Cover		1
8	GB5782- M12x110	Hex Cap Bolt	M12x110	1
8a	GB93-12	Spring Washer	12	1
9	GB97.2-12	Flat Washer	12	1
10	C6266C11101-G	Casting		1
11	C6266C11705	Sleeve		1
12	GB827-2x5	Aluminium Rivet	2x5	4
13	C6266C11302 (m)	Label (serial #1608ZH0809 and lower)		1
	C6266C11302-1(m)	Label (serial #1608ZH0810 and higher)		1
14	C6266C11704	Cover Casting		1
15	C6266C11102	Helical Gear		1
	C6266C11103	Helical Gear (For Attachment)	m3.75z14	1
16	C6266C11706	Washer		1
17	GB70- M5x10	Hex Socket Cap Screw	M5x10	1

# Tailstock Assembly I

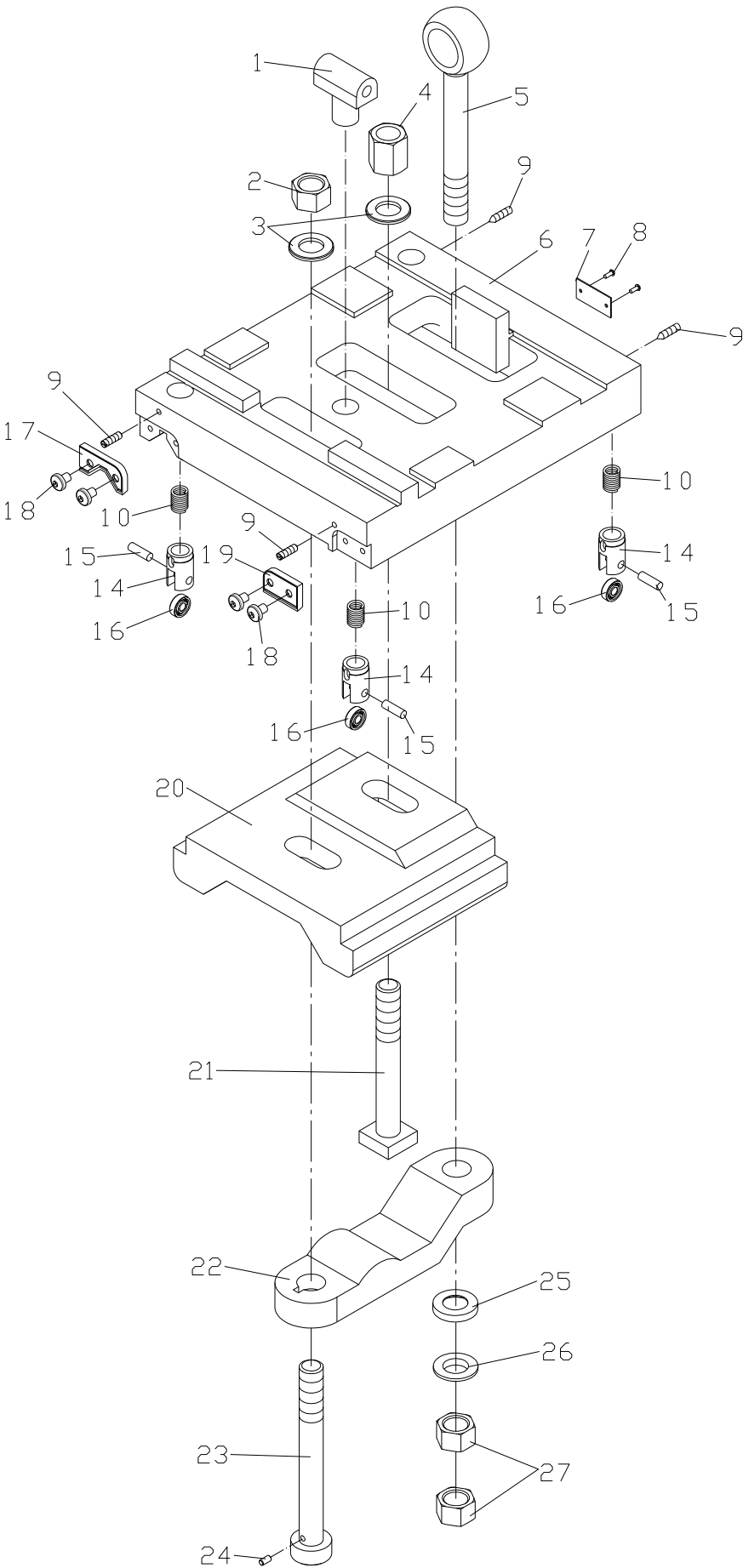


## Tailstock Assembly I

Index No.	Part No.	Description	Size	Qty.
1	GH1640ZX03105	Nut		1
2	GB70-M8x20	Hex Socket Cap Screw	M8x20	7
3	GH1840ZX03710	Lead Screw		1
4	GB1096-6x40	Flat Key	6x40	1
5	BB-51205	Thrust Bearing	25x47x15	1
6	C6250B03105	Back Cover		1
7	GB1155-8	Oil Cup	8	2
8	GH1640ZX03708G	Dial		1
9	C613203711	Spring Leaf		1
10	1440R03706	Sleeve		1
11	C6140W03107A-G	Handle Wheel		1
12	GB97.2-16	Flat Washer	16	1
13	GB6172-M16	Hex Flat Nut	M16	1
15	GB923-M16	Acorn Nut	M16	1
16	C6140W06766-G	Shaft		1
16a	GB895-10	Steel C-clip	10	1
16b	C6140W06765-G	Lever Sleeve		1
17	C6140W03710-G	Lever		1
18	GB117-5x20	Straight Pin	5x20	1
19	C6140W03715-G	Lever Support		1
20	C6140W03716	Spacer		1
21	C6140W03717	Clamping Block		1
22	C6140W03718	Clamping Block		1
23	GB70-M12x120	Hex Socket Cap Screw (full thread)	M12x120	2
25	1860R03701A	Center Sleeve		1
29	1440R03702	Positioning Block		1
30	GB1155-10	Oil Cup	10	1
31	C6266C03101-G	Tailstock Casting		1
32	GB75-M8x25	Slotted Cylindrical End Set Screw	M8x25	2
33	GB70-M12x25	Hex Socket Cap Screw	M12x25	1
34	C063203303	Scale		1
35	GB867-3x8	Half Circle Rivet	3x8	4
36	C6140W03103	Sleeve		1
37	C6250B03704	Eccentric Shaft		1
38	GB117-6x45	Taper Pin	6x45	1
39	C6250B03103	Sleeve		1
40	GB119-8x15	Pin	8x15	1
41	C6250B03104-G	Lever Sleeve		1
42	GB117-5x40	Taper Pin	5x40	1
43	C6250B03705-G	Lock Handle		1



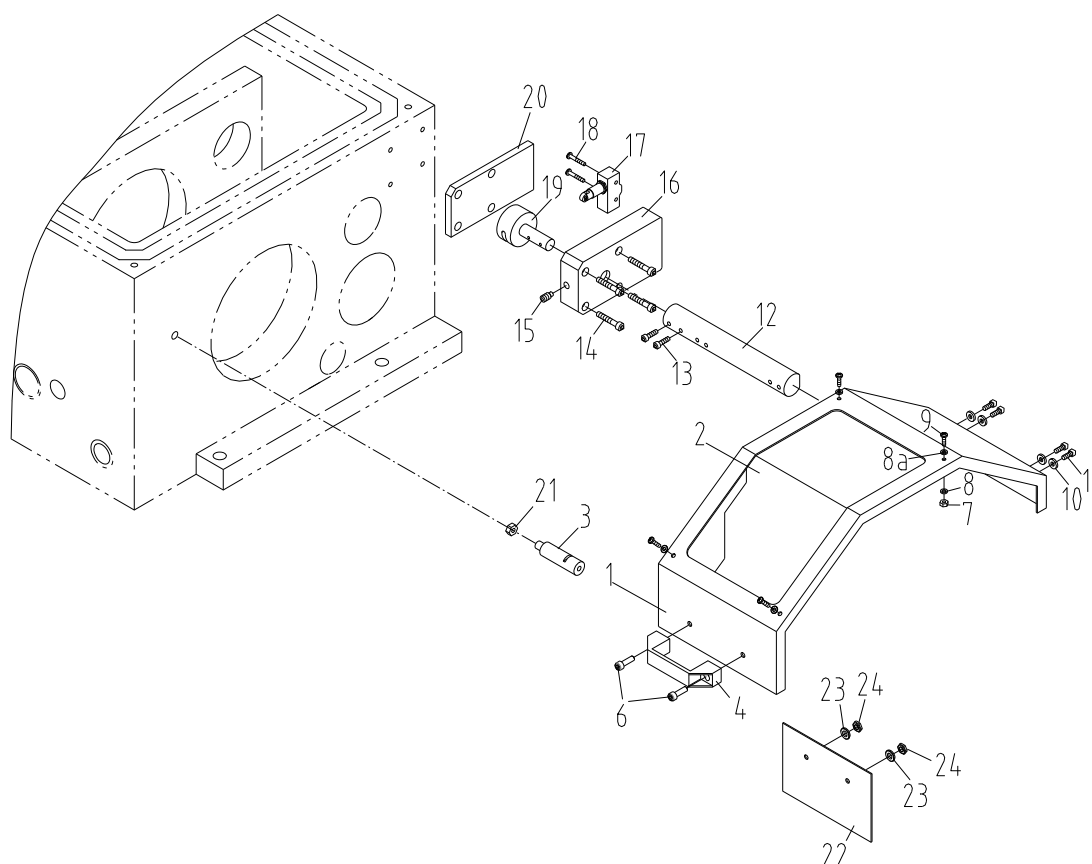
# Tailstock Assembly II



## Tailstock Assembly II

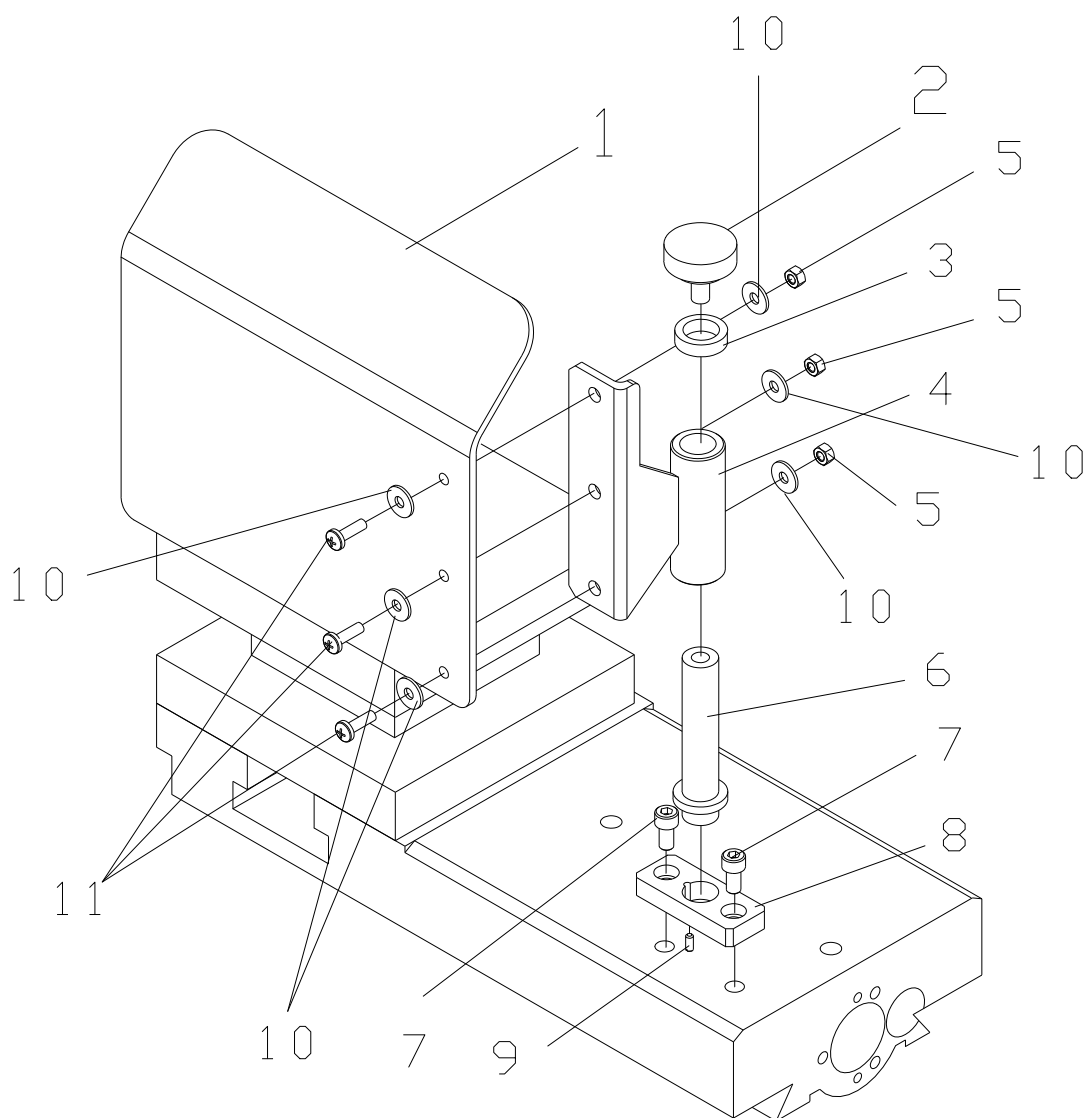
Index No.	Part No.	Description	Size	Qty.
1	C6140W03110	Nut		1
2	GB6171-M20x1.5	Hex Nut	M20x1.5	1
3	GB97.2-20	Flat Washer	20	1
4	GB56-M20	Hex Thick Nut	M20	1
5	C6266C03703	Pulling Rod		1
6	C6266C03102-G	Sliding Base		1
7	C063203304	Sign Plate		1
8	GB867-3x8	Half Circle Rivet	3x8	4
9	GB75-M6x16	Slotted Cylindrical End Set Screw	M6x16	4
10	GB2089-1.8x14x18	Spring (serial #1202ZH0520 and higher)	1.8x14x18	4
14	C6140W03713	Bearing Support		4
15	C6140W03714	Small Axle		4
16	BB-607ZZ	Ball Bearing	7x19x6	4
17	C6140W03502	Wipe Plate		1
18	GB67-M6x10	Slotted Pan Head Screw (serial #1601ZH0793 and lower)		
			M6x10	4
	GB2672-M6x10	Screw (serial #1601ZH0794 and higher)	M6x10	4
19	C6140W03503	Wipe Plate		1
20	C6140W03104-G	Clamping Block		1
21	C6266C03702	Screw		1
22	C6140W03111-G	Clamping Block		1
23	C6266C03701	Screw		1
24	GB119-5x10	Straight Pin	5x10	1
25	GB850-20	Taper Washer	20	1
26	GB849-20	Ball Washer	20	1
27	GB6173-M20x1.5	Hex Nut	M20x1.5	2

## Chuck Guard Assembly



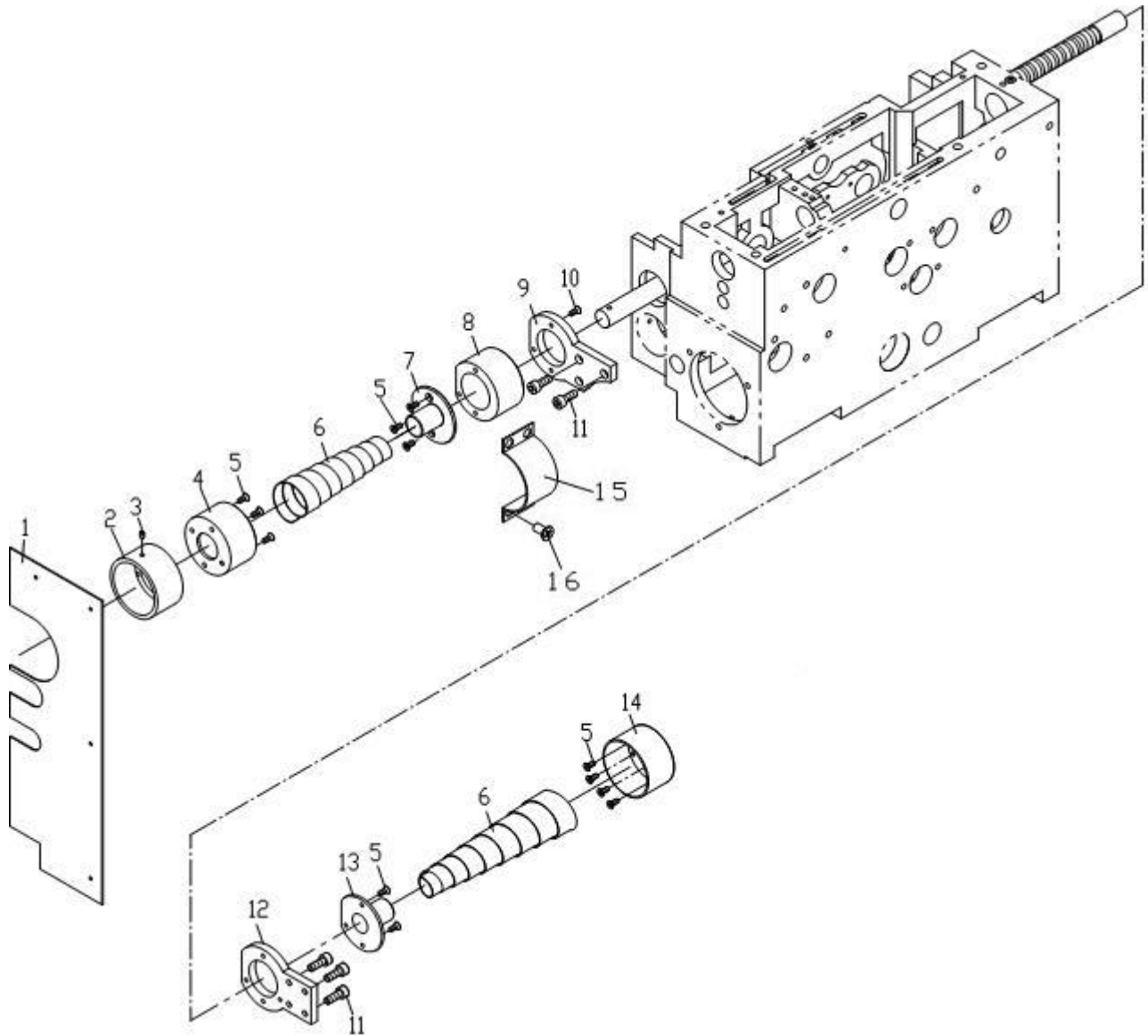
Index No.	Part No.	Description	Size	Qty.
1	C6266C19701B	Protection Guard (serial # 0803ZH0086 and lower)		1
	GH1640ZX19701	Protection Guard (serial #1601ZH0793 and lower)		1
	GH1640ZX19701A	Protection Guard (serial #1601ZH0794 and higher)		1
2	ZX-19501E	Protection Guard Visual Glass		1
3	ZX-19704E	Fixing Rod		1
4	ZX-S04E	Handle (serial #1601ZH0793 and lower)	Z96-6	1
	A=90 Black	Handle (serial #1601ZH0794 and higher)		1
6	ZX-S06E	Cross Recessed Pan Head Screw (serial #1601ZH0793 and lower)	M6x12	2
	GB70-M6x12	Hex Socket Cap Screw (serial #1601ZH0794 and higher)	M6x12	2
7	ZX-S07E	Hexagon Thin Nut	M4	4
8	ZX-S08E	Flat Washer	4	4
8a	GB96-4	Large Flat Washer	4	4
9	ZX-S09E	Cross Recessed Pan Head Screw	M4x12	4
10	ZX-S10E	Flat Washer	5	4
11	ZX-S11E	Hexagon Socket Cap Screw	M5x16	4
12	ZX-19703E	Rest Bar		1
13	ZX-S13E	Slotted Set Screw	M8x10	2
14	GB70-M6x30	Hexagon Socket Cap Screw	M6x30	4
15	ZX-S15E	Hexagon Socket Set Screw	M8x16	1
16	GH1440A19101E	Switch Box		1
19	ZX-19702E	Shaft		1
21	C6266CCGA21-M12	Nut	M12	1
22	C6266C19704A	Board (serial # 1311ZH0685 and higher)		1
23	GB6172-M6	Hex Nut	M6	2
24	GB97.2-6	Flat Washer	6	2

## Tool Post Protection Device



Index No.	Part No.	Description	Size	Qty.
1	C6266C20501	Shield		1
2	GH-1640ZX20701	Clamping Screw		1
3	GH-1640ZX20703	Spacer		1
4	GH-1640ZX20704	Sleeve		1
5	GB6170-M6	Hex Nut	M6	3
6	GH-1640ZX20705-1	Bracket		1
7	GB70-M8x16	Hex Socket Cap Screw	M8x16	2
8	GH-1640ZX20705-2	Bracket		1
9	GB71-M4x8	Slotted Set Screw	M4x8	1
10	GB97.2-6	Flat Washer	6	6
11	GB818-M6x20	Cross Recessed Pan Head Screw	M6x20	3

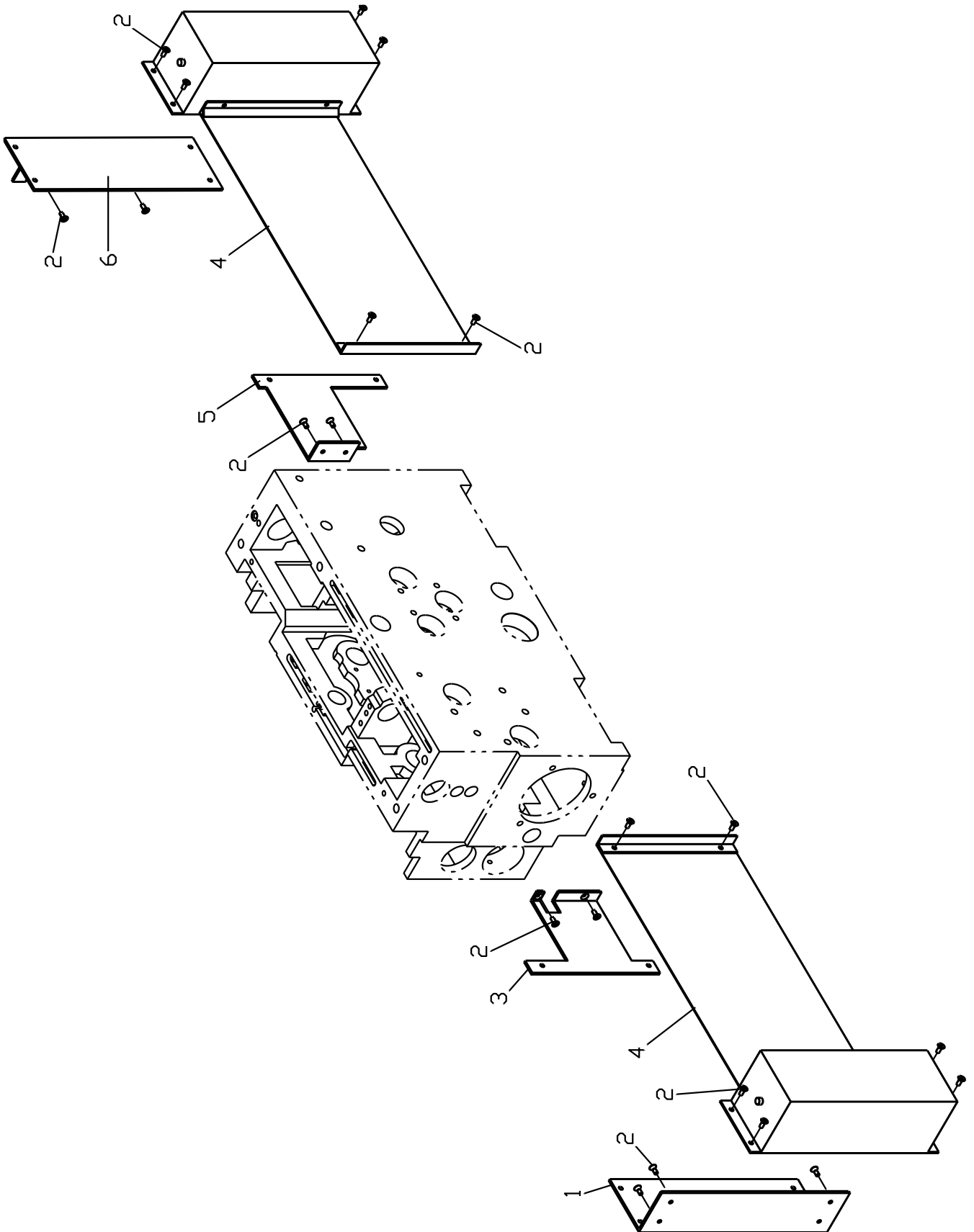
## Lead Screw Guard Assembly



## Lead Screw Guard Assembly

Index No.	Part No.	Description	Size	Qty.
1	C6266C05765-G	Side Plate		1
2	C6266C07701-1	Connect Sleeve		1
3	GB73-M5x8	Slotted Set Screw With Flat Point	M5x8	1
4	1440R07704	Sleeve		1
5	GB819-M5x12	Cross Recessed Countersunk Head Screw	M5x12	13
6	LGB-45-1000-75	Telescoping Sheet Cover (GH-2640ZH)		2
	LGB-45-1500-100	Telescoping Sheet Cover (GH-2660ZH)		2
	LGB-45-2000-120	Telescoping Sheet Cover (GH-2680ZH)		2
7	1440R07702A	Flange		1
8	1440R07706A	Sleeve		1
9	C6266C07702A	Left Support		1
10	GB819-M5x18	Cross Recessed Head Screw	M5x18	3
11	GB70-M6x16	Hex Socket Cap Screw	M6x16	7
12	C6266C07703	Right Support		1
13	1440R07702A	Flange		1
14	1440R07705A	Right Flange		1
15	C6266C11708	Cover		1
16	GB819-M5x10	Cross Recessed Countersunk Head Screw		4

# Lead Screw Guard Assembly For GH-26120ZH

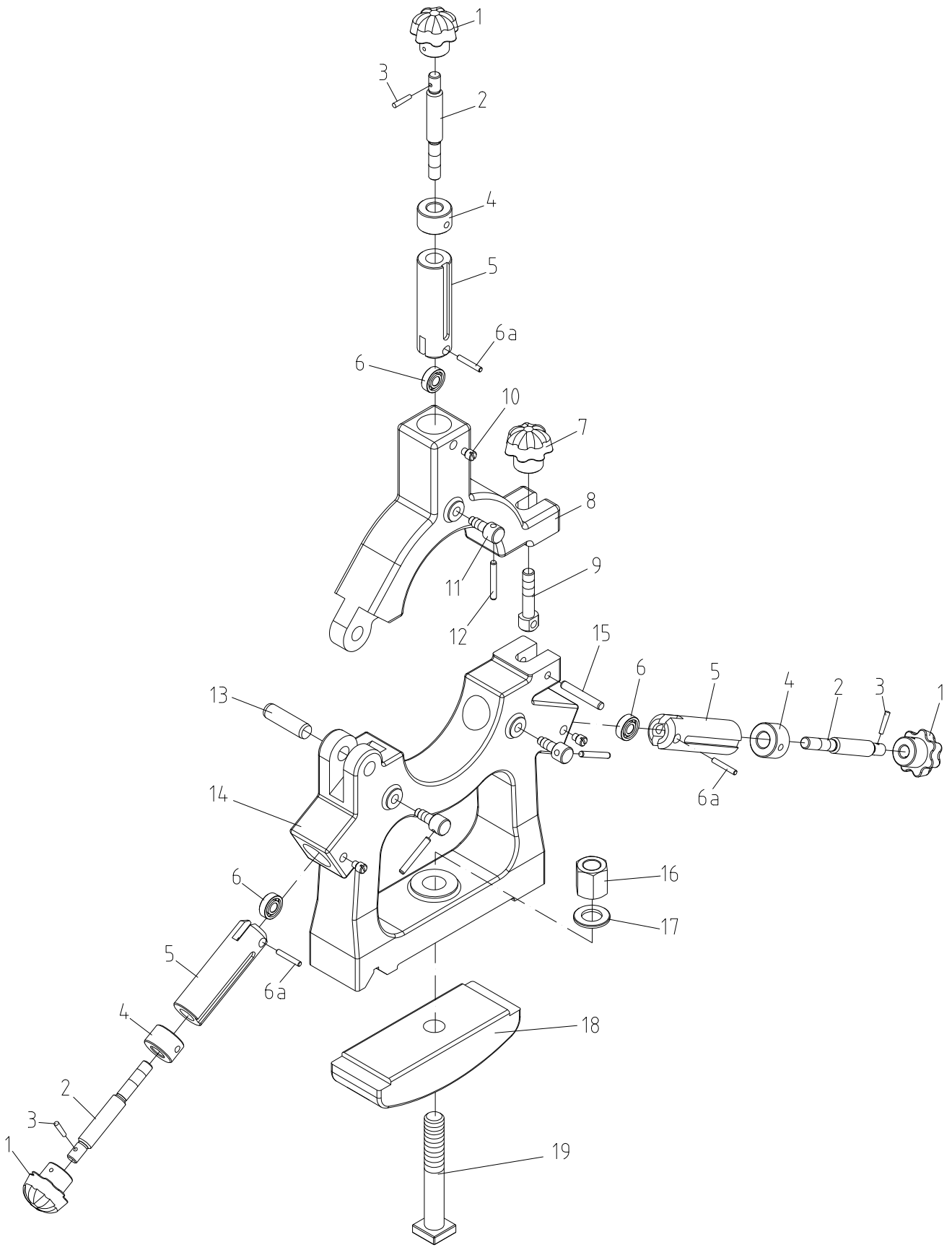


**Lead Screw Guard Assembly  
For GH-26120ZH**

<b>Index No.</b>	<b>Part No.</b>	<b>Description</b>	<b>Size</b>	<b>Qty.</b>
1	C6266C07705-G	Front Left Support		1
2	GB819-M4x8	Cross Recessed Head Screw	M4x8	20
3	C6266C07706-G	Front Right Support		1
4	C6266CLSG004	Roll-up Cover	3000	2
5	C6266C07707-G	Back Left Support		1
6	C6266C07708-G	Back Right Support		1



### Steady Rest Assembly (Small and Large)



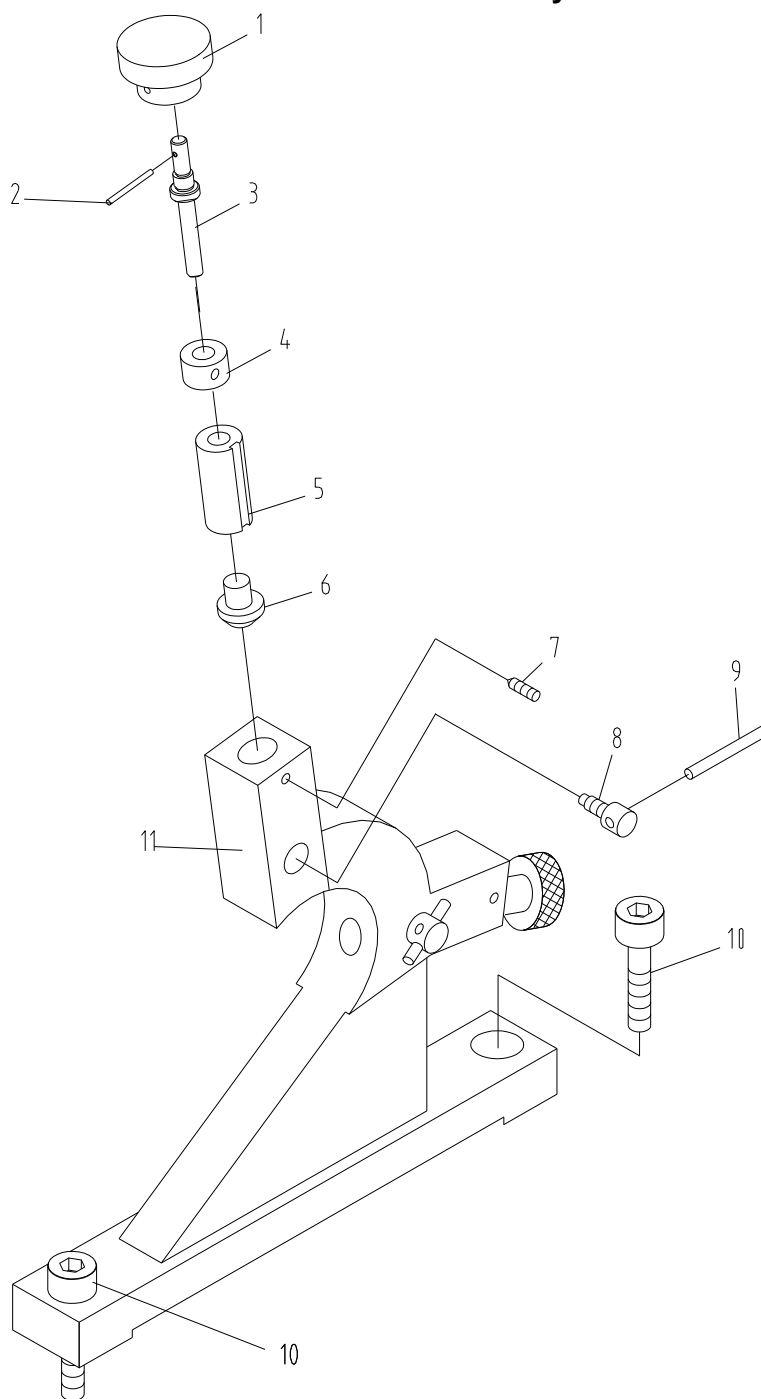
### Steady Rest Assembly (Small) – Parts List

Index No.	Part No.	Description	Size	Qty.
1	GB4141.29- $\Phi$ 12	A Type Asterisk Handle	$\Phi$ 12	3
2	C6140W10702	Sliding Sleeve		3
3	GB117-4x25	Taper Pin	4x25	3
4	C6140W10703	Slotted Set Screw		3
5	C6266C10C701	Lever (serial #1601ZH0794 and higher)		3
6	6000-2RS	Bearing (serial #1601ZH0794 and higher)	10x26x8	3
6a	C6140ZK10B702	Shaft (serial #1601ZH0794 and higher)		3
7	GB4141.29-M12	B Type Asterisk Handle	M12	1
8	C6140W10102-G	Steady Rest Upper Body		1
9	C6140W10701	Screw		1
10	GB75-M10x16	Slotted Set Screw	M10x16	3
11	C6140W10704	Set Screw		3
12	GB119-6x45	Pin	6x45	3
13	GB119-16x55	Pin	16x55	1
14	C6266C10A101-G	Steady Rest Lower Body		1
15	GB119-8x55	Pin	8x55	1
16	GB56-M20	Hex Extra Thick Nut	M20	1
17	GB97.2-20	Flat Washer	20	1
18	C6140W10104-G	Clamping Plate		1
19	C6140W10706	Square Head Bolt		1

### Steady Rest Assembly (Large) – Parts List

Index No.	Part No.	Description	Size	Qty.
1	GB4141.29- $\Phi$ 12	A Type Asterisk Handle	$\Phi$ 12	3
2	C6266C10702	Sliding Sleeve		3
3	GB117-4x25	Taper Pin	4x25	3
4	C6266C10701	Slotted Set Screw		3
5	C6140ZK10B701	Lever (serial #1601ZH0794 and higher)		3
6	6000-2RS	Bearing (serial #1601ZH0794 and higher)	10x26x8	3
6a	C6140ZK10B702	Shaft (serial #1601ZH0794 and higher)		3
7	GB4141.29-M12	B Type Asterisk Handle	M12	1
8	C6266C10102-G	Steady Rest Upper Body		1
9	C6140W10701	Screw		1
10	GB75-M10x14	Slotted Set Screw	M10x14	3
11	C6140W10704	Set Screw		3
12	GB119-6x45	Pin	6x45	3
13	GB119-16x55	Pin	16x55	1
14	C6266C10101-G	Steady Rest Lower Body		1
15	GB119-8x55	Pin	8x55	1
16	GB56-M20	Hex Extra Thick Nut	M20	1
17	GB97.2-20	Flat Washer	20	1
18	C6140W10104-G	Clamping Plate		1
19	C6140W10706	Square Head Bolt		1

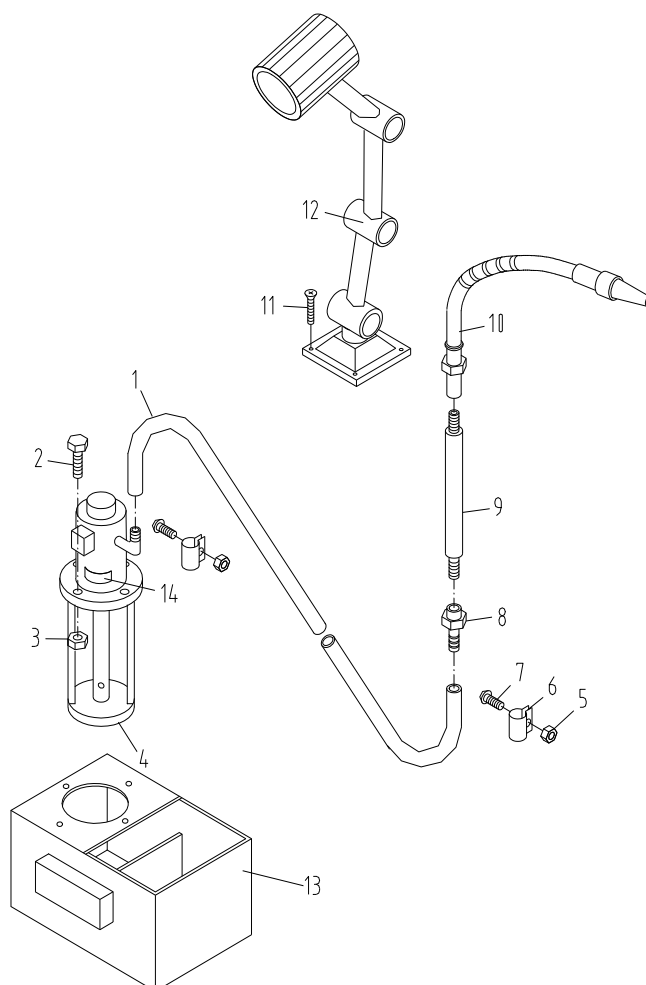
### Follow Rest Assembly



### Follow Rest Assembly

Index No.	Part No.	Description	Size	Qty.
1	GB4141.29-Φ12	A Type Asterisk Handle	Φ12	1
2	GB117-4X25	Pin	4X25	1
3	C6266C10705	Screw		1
4	C6266C10704	Nut		1
5	C6266C10706	Sliding Sleeve		1
6	C6266C10302	Block		1
7	GB75-M10X16	Slotted Set Screw	M10X16	2
8	C6140W10704	Set Screw		2
9	GB119-A6X45	Pin	A6X45	2
10	GB70-M16X55	Hex Socket Cap Screw	M16X55	2
11	C6266C10103-G	Follow Rest Casting		1

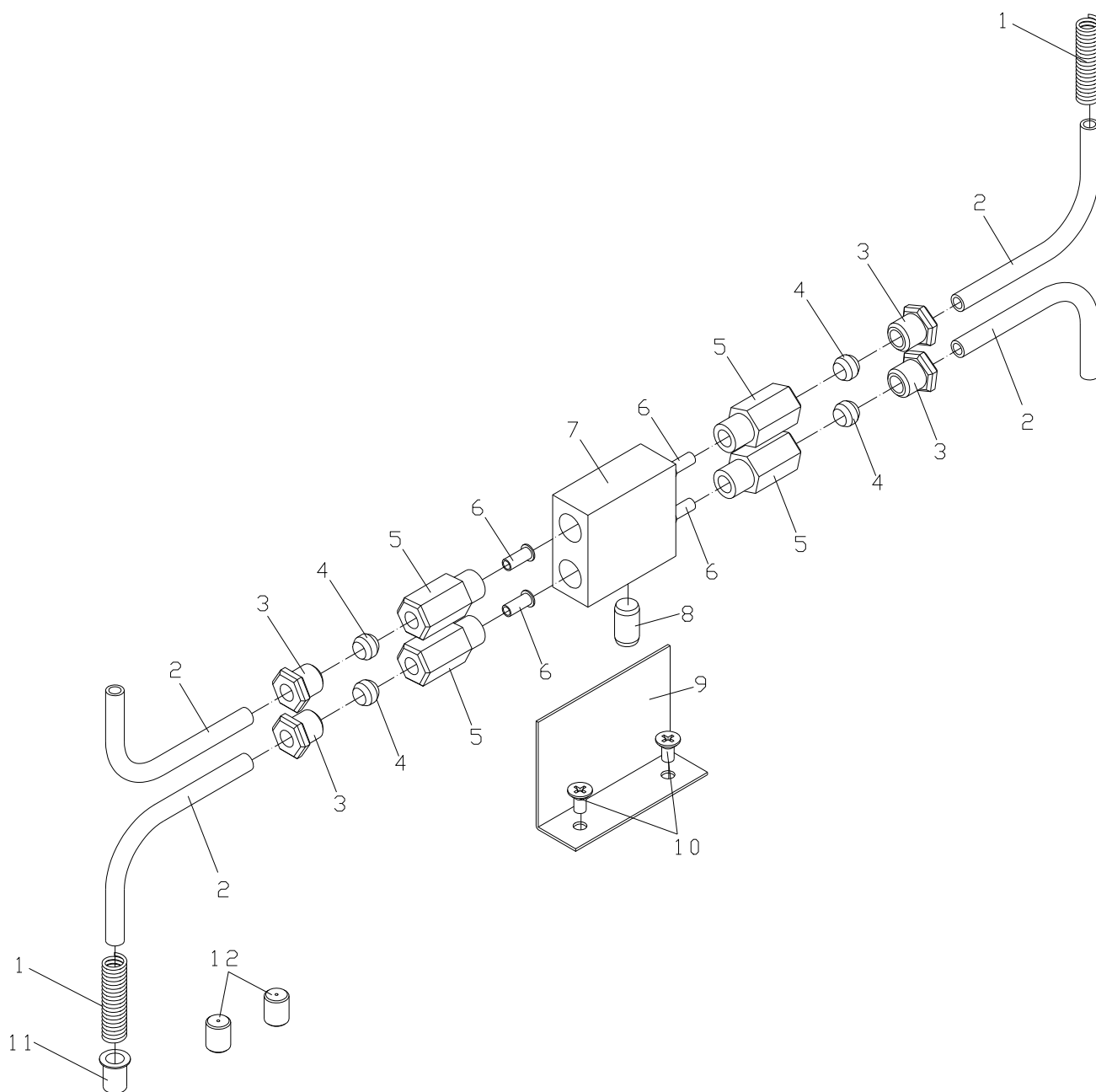
## Coolant & Work Light Assembly



## Coolant & Work Light Assembly

Index No.	Part No.	Description	Size	Qty.
1	AB-25-ID 1/2" × 1280	Rubber Tube (For GH-2640ZH only)	ID 1/2" × 1280	1
	AB-25-ID 1/2" × 1780	Rubber Tube (For GH-2660ZH only)	ID 1/2" × 1780	1
	AB-25-ID 1/2" × 2280	Rubber Tube (For GH-2680ZH only)	ID 1/2" × 2280	1
	AB-25-ID 1/2" × 3000	Rubber Tube (For GH-26120ZH only)	ID 1/2" × 3000	1
2	GB5782-M6 × 16	Hexagon Head Bolt (For GH-2640/60/80ZH)	M6 × 16	4
	GB70-M6 × 16	Hex Socket Cap Screw (For GH-26120ZH only)	M6 × 16	4
3	GB6172-M6	Hex Nut	M6	4
4	AB-25-1/8HP	Coolant Pump	1/8HP	1
5	GB41-M6	Hex Nut	M6	2
6	C613601727	Clip For Rubber Tube		1
7	GB818-M6 × 20	Cross Recessed Pen Head Screw	M6 × 20	2
8	C6140W01731	Fitting		1
9	C6140W01730	Flow Pipe		1
10	AB-25-1/2" × 16 × 700	Coolant Tube	1/2" × 16 × 700	1
11	GB70-M6 × 20	Hex Socket Cap Screw	M6 × 20	4
12	JC52	Work Lamp (serial #1601ZH0793 and lower)	24V 50W	1
	JC52B	Light (serial #1601ZH0794 and higher)	24V 3W	1
	ZX-ELB	Bulb for led work light JC52B	3W,24V	1
13	ZX01510	Coolant Tank (For GH-2640/60/80ZH)		1
14	K989	Label		1

## Carriage Lubrication



### Carriage Lubrication– Parts List

Index No.	Part No.	Description	Size	Qty.
1	GB2089-1x8x30	Spring	1x8x30	2
2		Nylon Pipe	Φ6x1	4
3	CB-6	Vitta Tie-in	M10x1	4
4	CS-6	Clip Sleeve	Φ6	4
5		Tie-in	M10x1	4
6	T1-6	Bushing	Φ6	4
7	C6266C04730	Connector		1
8	GB119-8x10	Pin	8x10	1
9	C6266C04731	Cover		1
10	GB819-M4x8	Cross Recessed Countersunk Head Screw	M4x8	2
11	C6266C04302Y	Bushing		1
12	C6266C04303Y	Plug		2

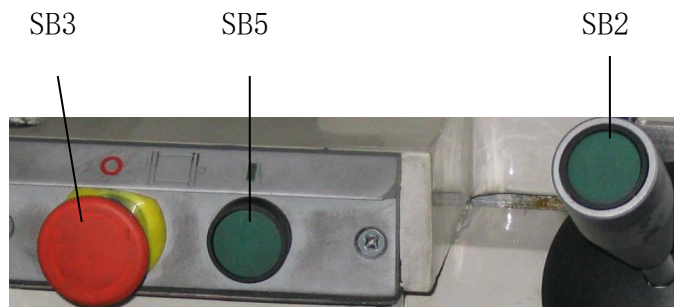
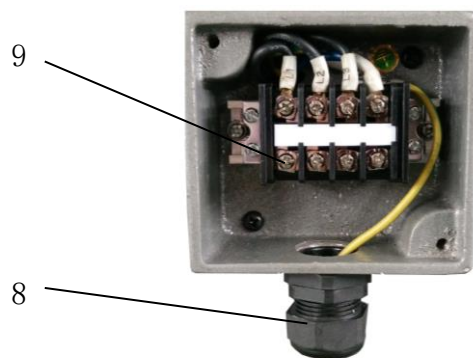
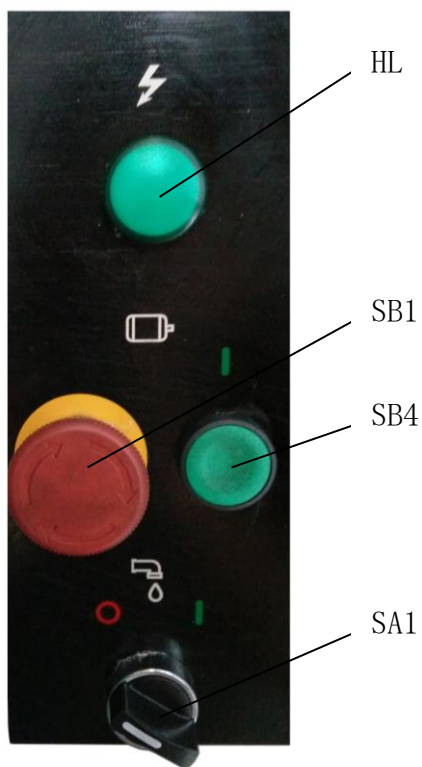
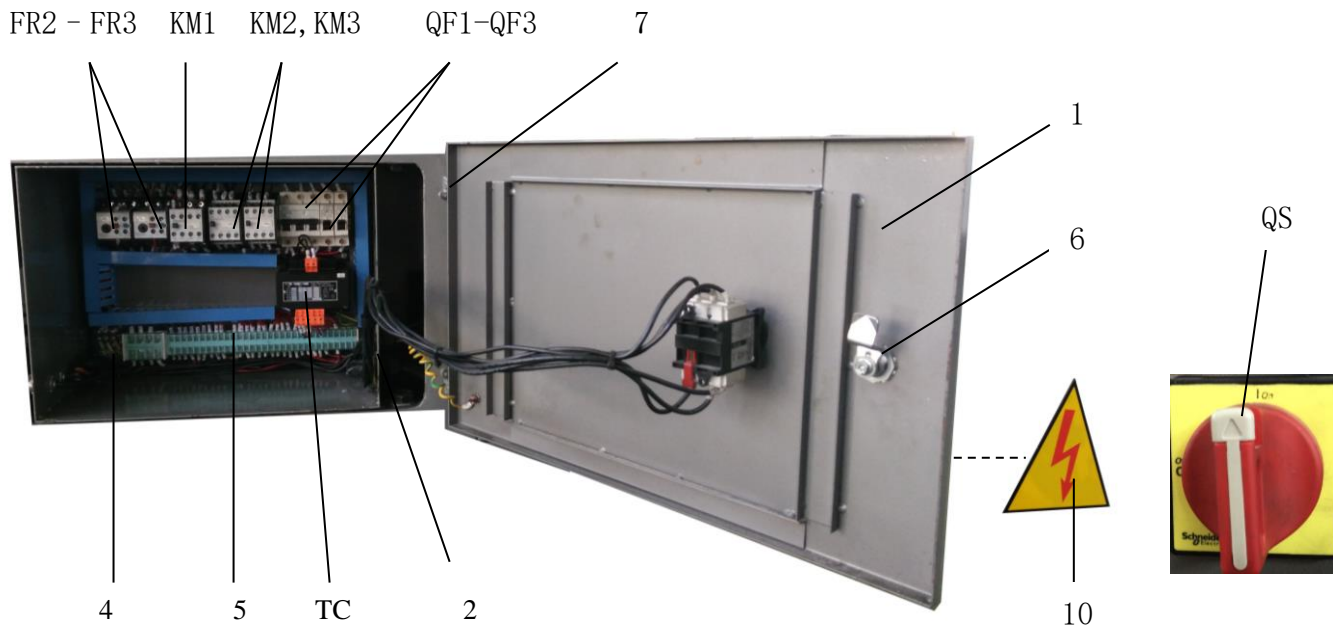
## Toolbox, Accessories, and Attachments



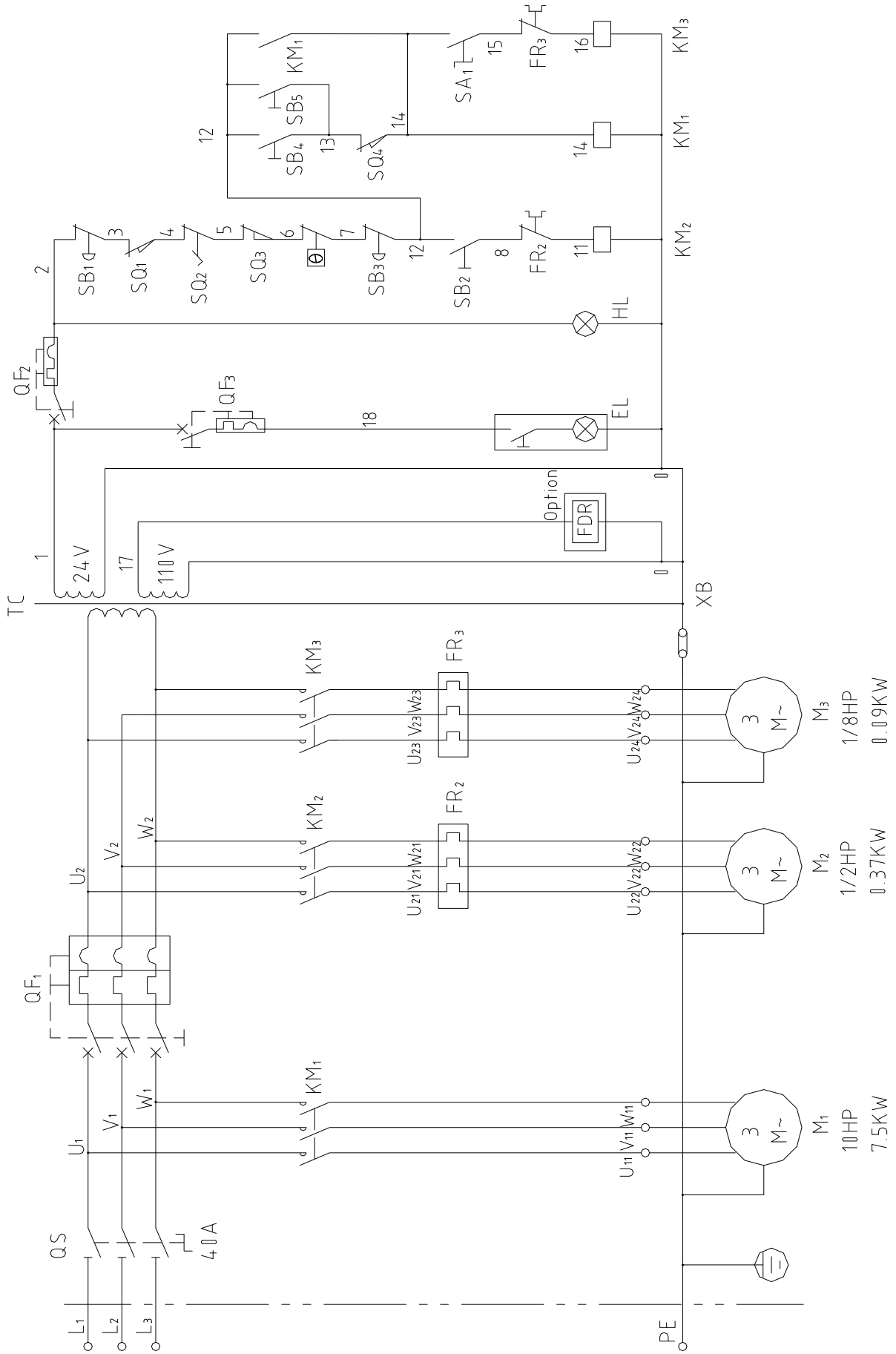
## Toolbox, Accessories, and Attachments

Index No.	Part No.	Description	Size	Qty.
1	ZH-2501	3-Jaw Scroll Chuck (not shown)	325mm, D1-8	1
2	ZH-2504	4-Jaw Independent Chuck (not shown)	400mm, D1-8	1
3	ZH-2502	Drive Plate		1
4	RNS-45-52	Round Nut Spanner	45-52	1
	RNS-170-210	Round Nut Spanner	170-210	1
5	ZH-2505	Face Plate	630mm	1
6	C6266C11103	Helical Gear	m3.75z14	1
7	ZX-OP-08	Morse Reduction Sleeve *	113mm 1:20/MT5	1
8	ZX-OP-07N	Live Center *	MT5	1
9	ZX-OP-06	Dead Center *	MT5	1
10	ZH-2513	Drive Pin		2
11	ZX-OP-05	Cam Wrench *		1
12	ZX-OP-1B	Chuck Wrench *		1
13	ZX-OP-04	Tool Post Wrench *		1
14	ZH-2517	Gap Bridge Pin Driver *		1
15	ZH-2518	Drift Key *		1
16		Hex Key Set *	2, 3, 4, 6, 8, 10, 12	one of each
17	ZX-01715	Leveling Pad (ZH-2640/60/80) (serial #1901ZH0983 and lower)		6
	DTH-120	Aseil-shock Pads (ZH-2640/60/80) (serial #1904ZH0984 and higher)		6
	ZX-01715	Leveling Pad (ZH-26120) (serial #1901ZH0983 and lower)		8
	DTH-120	Aseil-shock Pads (ZH-26120) (serial #1904ZH0984 and higher)		8
18	ZH-2522	Hex Nut (ZH-2640/60/80) *	M20	6
	ZH-2522	Hex Nut (ZH-26120)	M20	8
19	ZX-01715	Leveling Pad (ZH-2640/60/80) *		6
	ZX-01715	Leveling Pad (ZH-26120)		8
20	ZX-OP-14	Flat Blade Screw Driver *		1
21	ZX-OP-15	Cross Point Screw Driver *		1
22		Open End Wrench Set *	17-19	1
		Open End Wrench Set *	19-22	1
23	ZX-OP-09	Oil Gun *		1
24	GB70- M16x50	Hex Socket Head Cap Screw	M16x50	2
25	ZH-TBC	Tool Box Complete, ZH Lathes (includes items with asterisk *)		

# Electrical Components



# Electrical Diagram





## Electrical Components-Parts List

Index No.	Part No.	Description	Model	Size	Qty.
M1	Y132M-4TH/B3	Main Motor	Y132M-4TH/B3	10HP, 3PH, 400V, 50HZ	1
M2	YSS5634-G	Rapid Feed Motor	YSS5634-G	1/2HP, 3PH, 400V	1
M3	ZX-CW04E	Coolant Pump	ZX-CW04E	1/8HP, 3PH, 400V	1
QF	ZH-QF	Master Switch (serial #1601ZH0793 and lower)	JFD11	40A, 3P	1
QS	ZH-QS	Master Switch (serial #1601ZH0794 and higher)	V2C	40A, 3P	1
TC	ZH-TC	Control Transformer	JBK5-160VATH	400V/110V, 24V	1
FR2	ZH-FR2	Thermal Relay(serial #1905ZH0995 and lower)		3UA59	1
	ZH-FR2-1	Thermal Relay(serial #1907ZH1018and higher)		3US50 40-1C; 3US1950	1
FR3	ZH-FR3	Thermal Relay(serial #1905ZH0995 and lower)		3UA59	1
	ZH-FR3-1	Thermal Relay(serial #1907ZH1018and higher)		3US50 40-0E; 3US1950	1
KM1	ZX-KM3	A.C. Contactor	3TB43	Coil Voltage 24V , 22A	1
KM2, KM3	ZX-KM2	A.C. Contactor	3TB40	Coil Voltage 24V , 9A	2
QF1	ZH-QF1	Circuit Breaker (serial #1601ZH0794 and higher)	DZ47-63	3 Poles, 4A	1
QF2, QF3	ZH-QF2	Circuit Breaker (serial #1601ZH0794and higher)	DZ47-63	1 Pole, 3A	2
SQ1	ZH-SQ1	Door Switch	QKS8		1
SQ2	ZH-SQ2	Limit Switch	JW2A-11H/W1		1
SQ3	ZH-SQ3	Micro Switch	LXW5-11Q		1
SQ4	ZH-SQ4	Micro Switch	LXW5-11Q		1
SB1, SB3	ZH-SB1	Button	ZB2-BE102C ; ZB2-BS54C	Red	2
SB2	ZH-SB2	Button	XB2-EA131	Green	1
SB4, SB5	ZH-SB4	Button(serial #1901ZH0983 and lower)	XB7-EA1C	Green	2
	ZH-SB4-1	Button(serial #1904ZH0984 and higher)	ZB2-BE101C ; ZB2-BA3C	Green	2
SA1	ZH-SA1	Turning Switch	ZB2-BE101C ; ZB2-BD2C	Black	1
HL	ZH-HL	Indicator Light	XB2EV163	24V, Green	1
1	C6266C18715-G	Electric Box Door			1
2	C6266C18713-G	Electric Box			1
4	C613218306	Copper Plate (for grounding)			1
5	JH9-2.5/4+1.5/31	Wiring Board			1
6	MS-705	Lock			1
7	C6140W18705	Small Shaft			2
	C6140W18706	Pin Shaft			2
	GB6170-M8	Hex Nut		M8	2
8	PG13.5-M20x1.5	Sheathed Wire Head		M20x1.5	1
9	AZ1-2004	Wiring Board			1
	GB818-M4x6	Cross Recessed Pan Head Screw		M4x6	2
	GB97.2-4	Flat Washer		4	2
10	GHB1340A18508-6	Warning Label			1

## Digital Scale Units

Index	Part			
No.	No.	Description	Size	Qty.
1	Di Ma	Digital Scale Units (For GH-2640ZH only)	400×200×900	1Set
2	Di Ma	Digital Scale Units (For GH-2660ZH only)	400×200×1400	1Set
3	Di Ma	Digital Scale Units (For GH-2680ZH only)	400×200×1900	1Set
4	Di Ma	Digital Scale Units (For GH-26120ZH only)	400×200×2900	1Set

### Flexible Stainless Wire Woven Tube

Index No.	Part No.	Description	Size	Qty.
1	ZH-TPDRO40	Flexible Stainless Wire Woven Tube for Protecting DRO Cable (for 2640ZH with DRO)	M16×1.5-3m	1
2	ZH-TPDRO60	Flexible Stainless Wire Woven Tube for Protecting DRO Cable (for 2660ZH with DRO)	M16×1.5-3.5m	1
3	ZH-TPDRO80	Flexible Stainless Wire Woven Tube for Protecting DRO Cable (for 2680ZH with DRO)	M16×1.5-3.9m	1
4	ZH-TPDRO120	Flexible Stainless Wire Woven Tube for Protecting DRO Cable (for 26120ZH with DRO)	M16×1.5-5m	1
5	ZH-TPCG	Flexible Stainless Wire Woven Tube for Protecting Chuck Guard Cable	M16×1.5M16×1.5-1.6m	1