

JET

HBS-1220AF

METAL WORKING BANDSAW

HBS-1220AF...50000342T .. 3~400V, 50Hz

PARTS LIST



JPW Tool Group Hong Kong Limited

98 Granville Road, Tsimshatsui East, Kowloon, Hong Kong, PRC

www.jettools.com

Импортер в РФ: ООО «ИТА Технолоджи»

105082, Москва, Переведеновский пер., д. 17

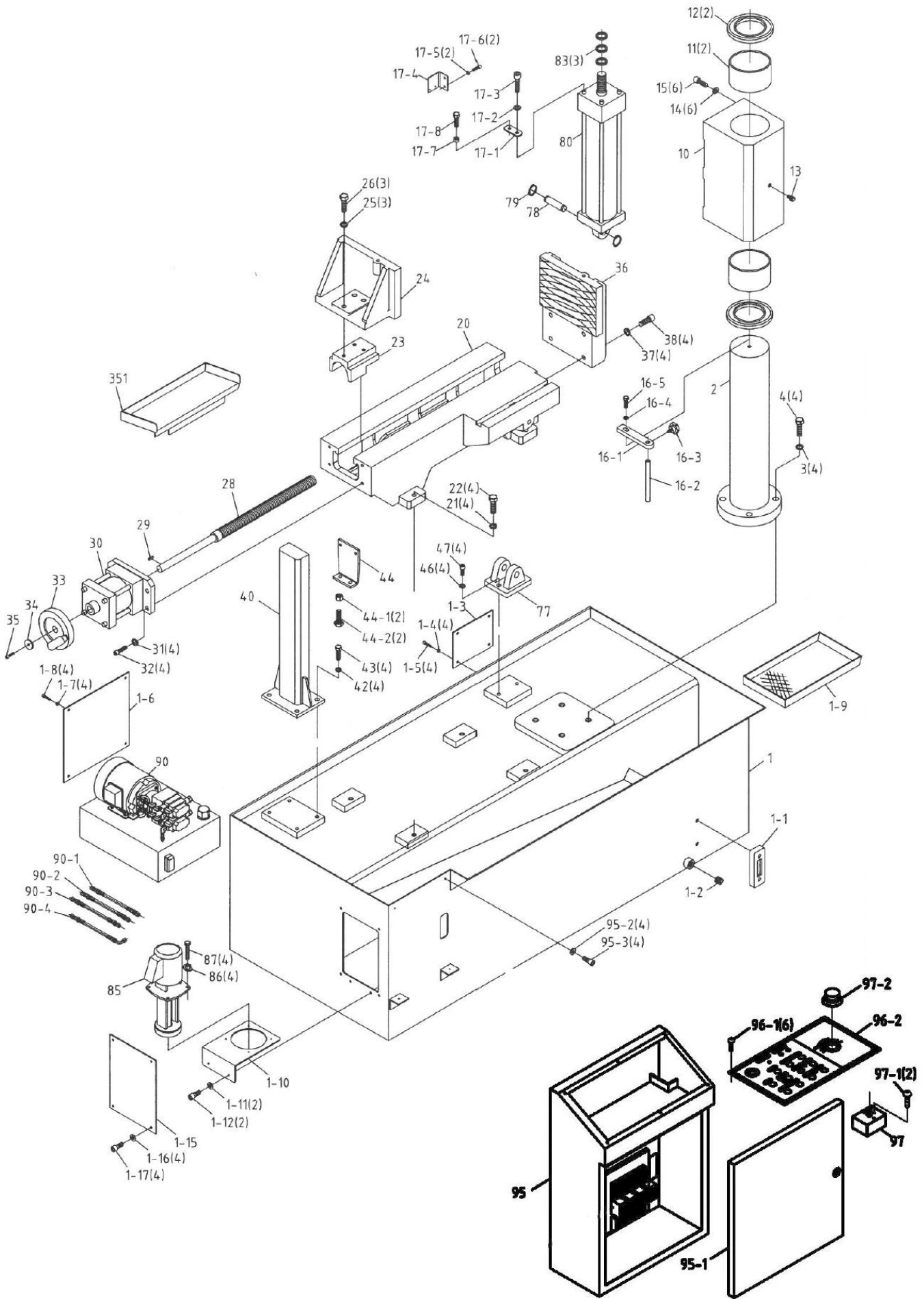
www.jettools.ru

Made in Taiwan / Сделано на Тайване

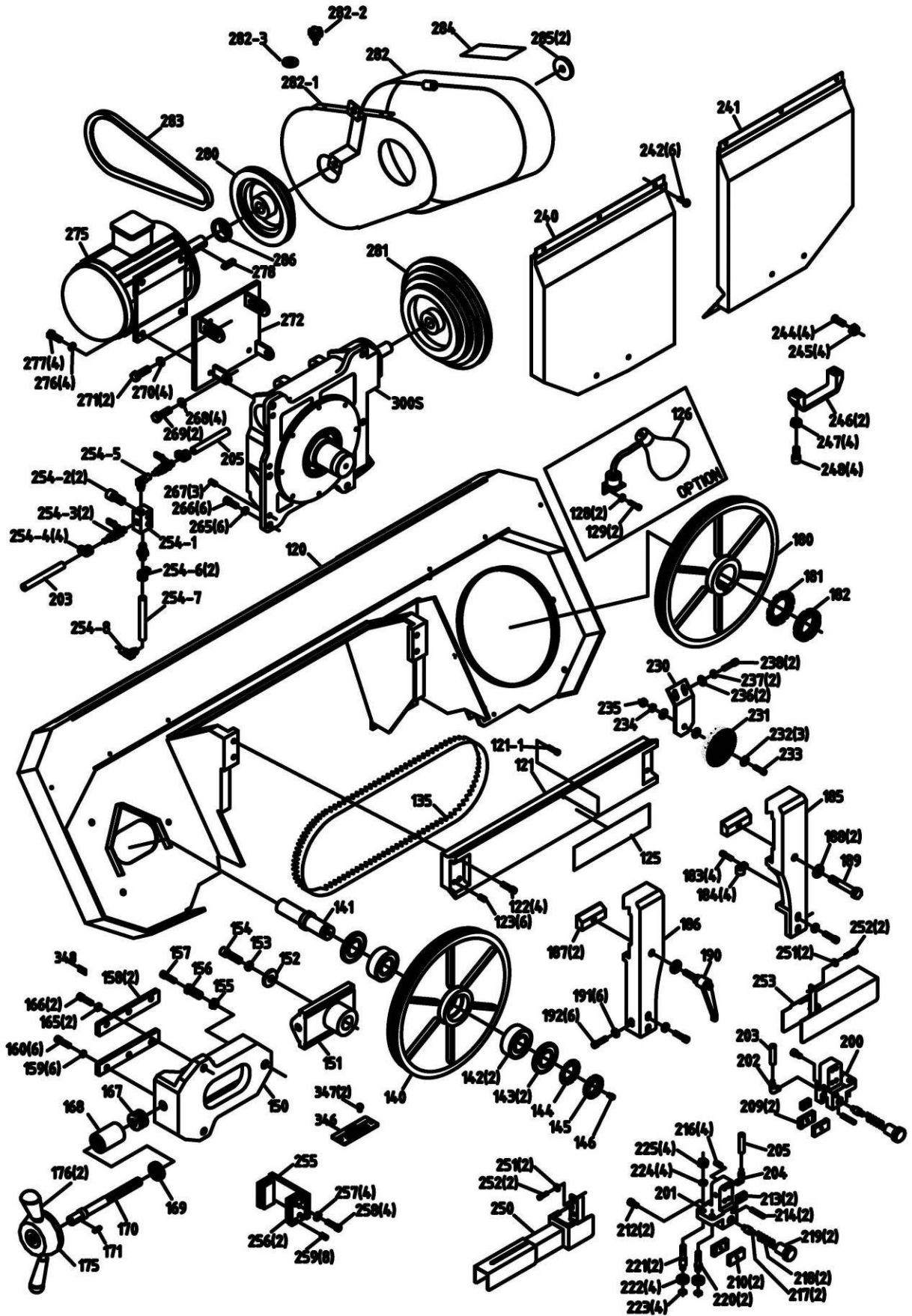
P-50000342T

2023-04

HBS-1220AF Breakdown for Stand Assembly



HBS-1220AF Breakdown for Bow Assembly



HBS-1220AF Part list for Stand and Bow Assembly

Index No.	Part No.	Description	Size	Qty
1	HBS1220AF-01	Stand	SS41	1
1-1	HBS1220AF-01-1	Fuel Gauge	S30C	1
1-2	HBS1220AF-01-2	Oil Hole Plug	PT-3/8"	1
1-4	HBS1220AF-01-4	Spring Washer	M6	4
1-5	HBS1220AF-01-5	Round Cross Screw Hole	M6x12L	4
1-6	HBS1220AF-01-6	Side Cover	SS41	1
1-7	HBS1220AF-01-7	Spring Washer	M6	4
1-8	HBS1220AF-01-8	Round Cross Screw Hole	M6x12L	4
1-9	HBS1220AF-01-9	Sheng Cut Tank	SS41	1
1-10	HBS1220AF-01-10	Bracket	SS41	1
1-11	HBS1220AF-01-11	Spring Washer	M6	2
1-12	HBS1220AF-01-12	Round Cross Screw Hole	M6x12L	2
1-15	HBS1220AF-01-15	Side Cover	SS41	1
1-16	HBS1220AF-01-16	Spring Washer	M6	4
1-17	HBS1220AF-01-17	Round Cross Screw Hole	M6x12L	4
2	HBS1220AF-02	Stand Charge	SGP	1
3	HBS1220AF-03	Spring Washer	M16	4
4	HBS1220AF-04	Hex. Head Screw	M16x50L	4
10	HBS1220AF-10	Guide Block	FC25	1
11	HBS1220AF-11	Bushing	110x115x95L	2
12	HBS1220AF-12	Oil Seal	DKB110x126x12B	2
13	HBS1220AF-13	Grease Fitting	PT-1/8"	1
14	HBS1220AF-14	Spring Washer	M12	6
15	HBS1220AF-15	Hex. Socket Head Screw	M12x35L	6
16-1	HBS1220AF-16-1	Upper Support Plate	SS41	1
16-2	HBS1220AF-16-2	Ceiling Support Rods	S30C	1
16-3	HBS1220AF-16-3	Plum Screw	M6x13L	1
16-4	HBS1220AF-16-4	Spring Washer	M10	1
16-5	HBS1220AF-16-5	Hex. Head Screw	M10x25L	1
17-1	HBS1220AF-17-1	Touch Piece	SS41	1
17-2	HBS1220AF-17-2	Spring Washer	M10	1
17-3	HBS1220AF-17-3	Hex. Socket Head Screw	M10X20L	1
17-4	HBS1220AF-17-4	Lower Bracket	SS41	1
17-5	HBS1220AF-17-5	Spring Washer	M6	2
17-6	HBS1220AF-17-6	Hex. Socket Head Screw	M6x15L	2
17-7	HBS1220AF-17-7	Hex. Nut	M10	1
17-8	HBS1220AF-17-8	Hex. Head Screw	M10x35L	1
20	HBS1220AF-20	Base	FC30	1
21	HBS1220AF-21	Spring Washer	M12	4
22	HBS1220AF-22	Hex. Socket Head Screw	M12x45L	4
23	HBS1220AF-23	Base Nut	FC30	1
25	HBS1220AF-25	Spring Washer	M12	3
26	HBS1220AF-26	Hex. Head Screw	M12X50L	3
28	HBS1220AF-28	Screws	S45C	1
29	HBS1220AF-29	Two-Round Key	KEY=5x5x25L	1
30	HBS1220AF-30	Hydraulic Cylinder	S30C	1
31	HBS1220AF-31	Spring Washer	M10	4
32	HBS1220AF-32	Hex. Socket Head Screw	M10x40L	4
33	HBS1220AF-33	Handwheel	FC25	1
33-1	HBS1220AF-33-1	Hand		1
34	HBS1220AF-34	Washer	M6	1
35	HBS1220AF-35	Hex. Socket Head Screw	M6x12L	1

HBS-1220AF Part list for Stand and Bow Assembly

Index No.	Part No.	Description	Size	Qty
37	HBS1220AF-37	Spring Washer	M12	4
38	HBS1220AF-38	Hex. Socket Head Screw	M12X50L	4
40	HBS1220AF-40	Sliding Column	SS41	1
42	HBS1220AF-42	Spring Washer	M12	4
43	HBS1220AF-43	Hex. Head Screw	M12x30L	4
46	HBS1220AF-46	Spring Washer	M10	4
47	HBS1220AF-47	Hex. Socket Head Screw	M10x40L	4
80	HBS1220AF-80	Hydraulic cylinder	S30C	1
83	HBS1220AF-83	Hex. Nut	M24xP2	2
84	HBS1220AF-84	Hex. Socket Head Screw	M16x45L	1
85	HBS1220DC-85	Pump	400V,3PH	1
86	HBS1220AF-86	Spring Washer	M6	4
87	HBS1220AF-87	Hex. Head Screw	M6-1.0Px15L	4
	HBS1220DC-90AE	Hydraulic Motor	1HP,,50Hz	1
90	HBS1220AF-90	Hydraulic Unit	1HP,,3CC/red	1
90-1	HBS1220AF-90-1	Hydraulic Tube	1/4"x1/4Hx1050L	1
90-2	HBS1220AF-90-2	Hydraulic Tube	1/4"x1/4Hx1050L	1
90-3	HBS1220AF-90-3	Hydraulic Tube	1/4"x1/4Hx1600L	1
90-4	HBS1220AF-90-4	Hydraulic Tube	1/4"x1/4Hx2800L	1
97	HBS1220AF-97	Valve	S30C	1
97-1	HBS1220AF-97-1	Flat Head Cap Screws	M5x10L	2
97-2	HBS1220AF-97-2	Knob		1
120	HBS1220AF-120	Bow Saw	SS41	1
121	HBS1220AF-121	Cross-Supports	FC25	1
121-1	HBS1220AF-121-1	Hex. Socket Head Screw	M6x15L	1
122	HBS1220AF-122	Hex. Socket Head Screw	M10x45L	4
123	HBS1220AF-123	Hex. Headless Screw	M10x20L	6
125	HBS1220AF-125	Slide Rear Sight	AL	1
126	HBS1220AF-126	Led Light	6W-12V	1
128	HBS1220AF-128	Spring Washer	M6	2
129	HBS1220AF-129	Hex. Socket Head Screw	M6x15L	2
135	HBS1220AF-135	Saw Blade	3950x34x1.1 HSS	1
140	HBS1220AF-140	Driven Wheel	FC25	1
141	HBS1220AF-141	Driven Shaft	S45C	1
142	HBS1220AF-142	Oblique Roller Bearings	#30207J	2
143	HBS1220AF-143	Bearing Anti-Dust Cover	SS41	2
144	HBS1220AF-144	Bearing Washer	AW-07	1
145	HBS1220AF-145	Bearing Nut	AN-07,,M35xP1.5	1
146	HBS1220AF-146	Grease Fitting	PT-1/8"	1
150	HBS1220AF-150	Tension Slide	FC25	1
151	HBS1220AF-151	Tension Slider	FC25	1
152	HBS1220AF-152	Gasket	S30C	1
153	HBS1220AF-153	Spring Washer	M10	1
154	HBS1220AF-154	Hex. Socket Head Screw	M10x20L	1
155	HBS1220AF-155	Nut		1
156	HBS1220AF-156	Adjustable Screw		1
157	HBS1220AF-157	Hex. Socket Head Screw	M12x75L	1
158	HBS1220AF-158	Plate	SS41	2
159	HBS1220AF-159	Spring Washer	M10	6
160	HBS1220AF-160	Hex. Socket Head Screw	M10x25L	6
165	HBS1220AF-165	Spring Washer	M14	2
166	HBS1220AF-166	Hex. Socket Head Screw	M14X45L	2
167	HBS1220AF-167	Compression Spring	SUP4	1

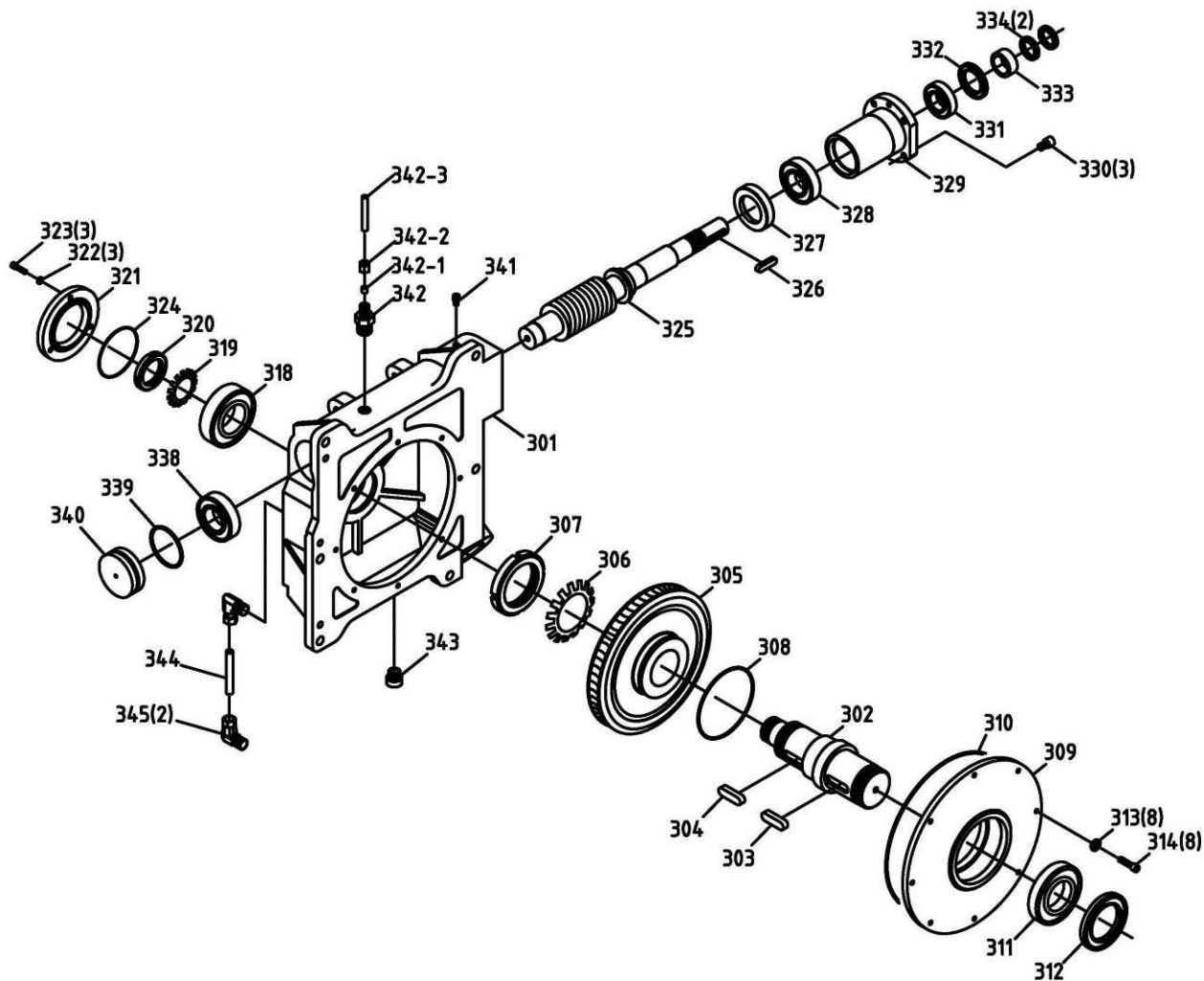
HBS-1220AF Part list for Stand and Bow Assembly

Index No.	Part No.	Description	Size	Qty
168	HBS1220AF-168	Casing	S30C	1
169	HBS1220AF-169	Client bearing	#51104	1
170	HBS1220AF-170	Tension Screw	S45C	1
171	HBS1220AF-171	Single Round Head Key	6x6x25L	1
175	HBS1220AF-175	Blade Tension Handle		1
176	HBS1220AF-176	Knob		2
180	HBS1220AF-180	Driving Wheel	FC25	1
181	HBS1220AF-181	Bearing Washer	AW-13	1
182	HBS1220AF-182	Bearing Nut	AN-13,,M65xP2	1
183	HBS1220AF-183	Round Cross Screw Hole	M5X10L	4
184	HBS1220AF-184	Hose Clamp	1/4"	4
185	HBS1220AF-185	Master Arm	FC25	1
186	HBS1220AF-186	Left Arm	FC25	1
187	HBS1220AF-187	Briquetting	S45C	2
188	HBS1220AF-188	Washer	M12	2
189	HBS1220AF-189	Hex. Head Screw	M12x60L	1
190	HBS1220AF-190	Handle	M12x60L	1
191	HBS1220AF-191	Washer	M10	6
192	HBS1220AF-192	Hex. Socket Head Screw	M10x30L	6
200	HBS1220AF-200	Blade Adjustable (Rear)	FC25	1
201	HBS1220AF-201	From The Guide Block	FC25	1
202	HBS1220AF-202	90 Degree Copper Connectors	PT-1/8"x1/4" Cu	1
203	HBS1220AF-203	Tube	1/4"x450L	1
204	HBS1220AF-204	90 Degree Copper Connectors	PT-1/8"x1/4"	1
205	HBS1220AF-205	Tube	1/4"x800 L	1
209	HBS1220AF-209	Guides	S30C	2
210	HBS1220AF-210	Guides	S30C	2
212	HBS1220AF-212	Hex. Socket Head Screw	M6x15L	2
214	HBS1220AF-214	Bearing Pin	S30C	2
216	HBS1220AF-216	Hex. Headless Screw	M8x20L	4
217	HBS1220AF-217	Pressure Shaft		2
218	HBS1220AF-218	Compression Spring		2
219	HBS1220AF-219	Pressure Block		2
220	HBS1220AF-220	Leading Axle	S45C	2
221	HBS1220AF-221	After The Lead Axle	S45C	2
222	HBS1220AF-222	Ball Bearings	#6200ZZ	4
223	HBS1220AF-223	C-Retaniner Ring	S10	4
224	HBS1220AF-224	Spring Washer	M10	4
225	HBS1220AF-225	Hex. Nut	M10	4
230	HBS1220AF-230	Brush Holder	SS41	1
231	HBS1220AF-231	Brush Wheel	SUS	1
232	HBS1220AF-232	Washer	M8	3
233	HBS1220AF-233	Hex. Headless Screw	M8x40L	1
234	HBS1220AF-234	Spring Washer	M8	1
235	HBS1220AF-235	Hex. Nut	M8	1
236	HBS1220AF-236	Washer	M6	2
237	HBS1220AF-237	Spring Washer	M6	2
238	HBS1220AF-238	Hex. Socket Head Screw	M6x15	2
240	HBS1220AF-240	Driven Wheel Cover	SS41	1
241	HBS1220AF-241	Drive Wheel Cover	SS41	1
242	HBS1220AF-242	Round Head Screw	M6x16L	6
244	HBS1220AF-244	Hex. Head Screw	M6x15	4
245	HBS1220AF-245	Hex. Nut	M6	4

HBS-1220AF Part list for Stand and Bow Assembly

Index No.	Part No.	Description	Size	Qty
246	HBS1220AF-246	Knob		2
247	HBS1220AF-247	Hex. Nut	M8	4
248	HBS1220AF-248	Round Head Screw	M8x20L	4
250	HBS1220AF-250	Cover From The Serrated	SS41	1
251	HBS1220AF-251	Washer	M6	4
252	HBS1220AF-252	Round Head Screw	M6x16L	4
253	HBS1220AF-253	Cover Master Sawtooth	SS41	1
254-1	HBS1220AF-254-1	3 Way Valve		1
254-2	HBS1220AF-254-2	Hex. Socket Head Screw	M6x30L	2
254-3	HBS1220AF-254-3	Copper Hancock	PT1/4"x1/4"	2
254-4	HBS1220AF-254-4	Hose Clamp	SUS304x1/4"	4
254-5	HBS1220AF-254-5	90 Degree Copper Connectors	PT1/4"x PT1/4"	1
254-6	HBS1220AF-254-6	Hose Clamp	SUS304x1/2"	2
254-7	HBS1220AF-254-7	Tube	1/2x2800 L	1
254-8	HBS1220AF-254-8	90 Degree Copper Connectors	PT3/8x1/2"	1
255	HBS1220AF-255	Bracket	SS41	2
256	HBS1220AF-256	Sliding plate	SS41	2
257	HBS1220AF-257	Washer	M8	4
258	HBS1220AF-258	Hex. Socket Head Screw	M8x20L	4
259	HBS1220AF-259	Hex. Headless Screw	M6x10L	8
265	HBS1220AF-265	Spring Washer	M12	6
266	HBS1220AF-266	Hex. Socket Head Screw	M12x35L	6
267	HBS1220AF-267	Hex. Headless Screw	M12x20L	3
268	HBS1220AF-268	Washer	M12	4
269	HBS1220AF-269	Hex. Head Screw	M12x30L	2
270	HBS1220AF-270	Washer	M12	4
271	HBS1220AF-271	Hex. Head Screw	M12x30L	2
272	HBS1220AF-272	Motor Plate	SS41	1
275	HBS1220AF-275	Main Motor	2.2 Kw	1
276	HBS1220AF-276	Spring Washer	M10	4
277	HBS1220AF-277	Hex. Head Screw	M10x25L	4
278	HBS1220AF-278	Single Round Head Key	8x7x40L	1
280	HBS1220AF-280	Motor Pulley	FC25	1
281	HBS1220AF-281	Gear Pulley	FC25	1
282	HBS1220AF-282	Motor Wheel Cover	SS41	1
282-1	HBS1220AF-282-1	Motor Wheel Plate	SS41	1
282-2	HBS1220AF-282-2	Plum Screw	M6x13L	4
282-3	HBS1220AF-282-3	Washer	M6	4
283	HBS1220AF-283	V-Belt	A-47	1
284	HBS1220AF-284	Speed Label		1
285	HBS1220AF-285	Washer	SS41	2
286	HBS1220AF-286	Bushing	SS41	1
300S	HBS1220AF-300S	Gear Box Groups	#137.5,,E=22.5	1
301	HBS1220AF-301	Gearbox	FC25	1

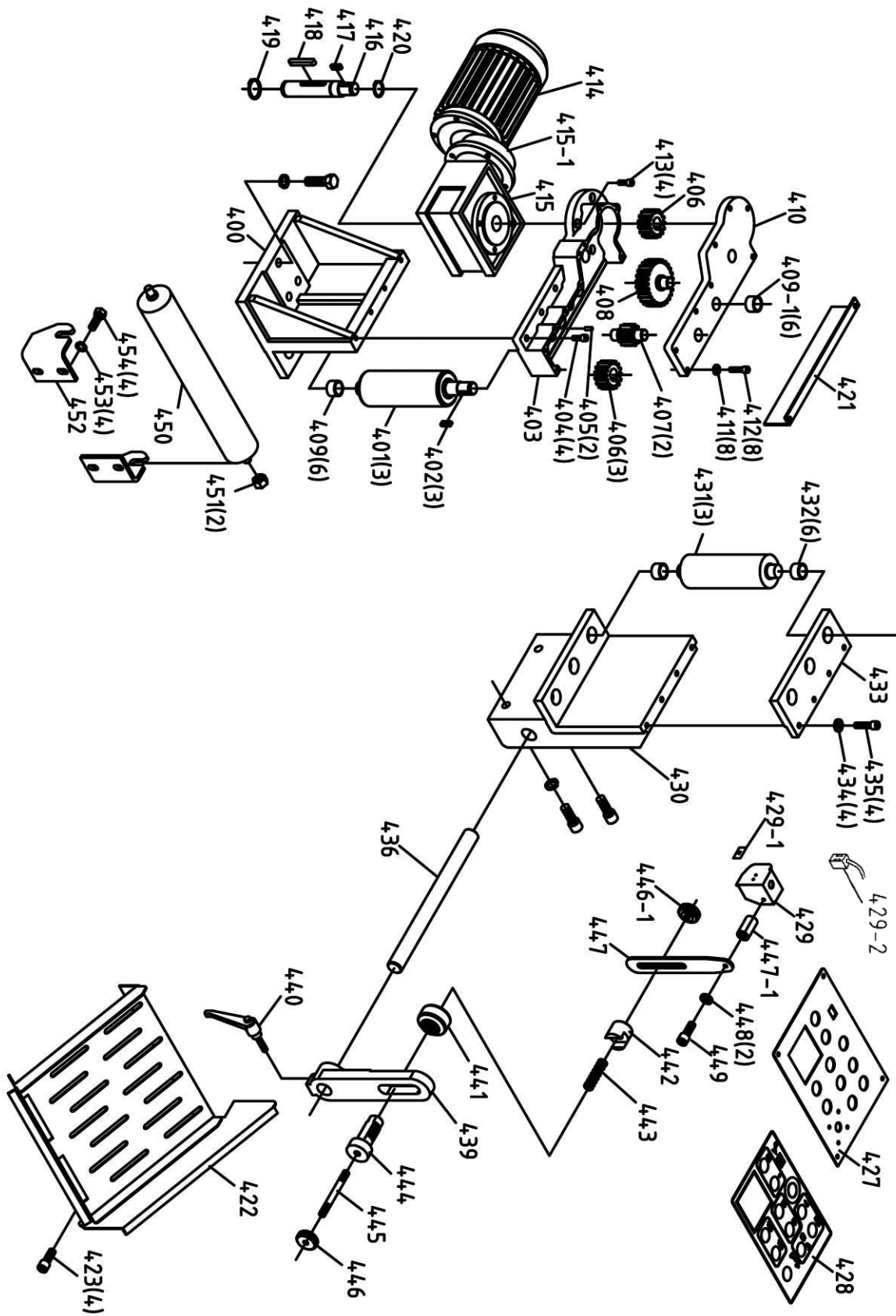
HBS1220AF Breakdown for Gear Box Transmission Assembly



HBS1220AF Part list for Gear Box transmission Assembly

Index No.	Part No.	Description	Size	Qty
302	HBS1220AF-302	Output Shaft	S45C	1
303	HBS1220AF-303	Two-round key	15x10x50L	1
304	HBS1220AF-304	Two-round key	15x10x45L	1
305	HBS1220AF-305	Worm Gear	PBC3	1
306	HBS1220AF-306	Bearing Washer	AW-11	1
307	HBS1220AF-307	Bearing Nut	AN-11,,M55xP2	1
308	HBS1220AF-308	O-Retaniner Ring	G85,,ID85x3.1W	1
309	HBS1220AF-309	Cap	FC25	1
310	HBS1220AF-310	O-Retaniner Ring	G245,ID245x3.1W	1
311	HBS1220AF-311	Oblique Roller Bearings	#32013J	1
312	HBS1220AF-312	Oil Seal	TC75x100x12B NBR	1
313	HBS1220AF-313	Spring Washer	M8	8
314	HBS1220AF-314	Hex. Socket Head Screw	M8x25L	8
318	HBS1220AF-318	Oblique Roller Bearings	#30208	1
319	HBS1220AF-319	Bearing Washer	AW-08	1
320	HBS1220AF-320	Bearing Nut	AN-08,,M40xP1.5	1
321	HBS1220AF-321	After The Cover	FC25	1
322	HBS1220AF-322	Spring Washer	M6	3
323	HBS1220AF-323	Hex. Socket Head Screw	M6x25L	3
324	HBS1220AF-324	O-Retaniner Ring	G80,,ID80x3.1W	1
325	HBS1220AF-325	Worm	S45C	1
326	HBS1220AF-326	Two-Round Key	8x7x40L	1
327	HBS1220AF-327	Oil Seal Cover	S30C	1
328	HBS1220AF-328	Oblique Roller Bearings	#30207J	1
329	HBS1220AF-329	Input Shaft Cover	FC25	1
330	HBS1220AF-330	Hex. Socket Head Screw	M8x20L	3
331	HBS1220AF-331	Oblique Roller Bearings	#30206	1
332	HBS1220AF-332	Oil Seal	TC40x62x9B NBR	1
333	HBS1220AF-333	Collar	S45C	1
334	HBS1220AF-334	Bearing nut	AN-06,,M30xP1.5	2
338	HBS1220AF-338	Ball Bearings	#6207-Z	1
339	HBS1220AF-339	O-Retaniner Ring	G65,,ID65x3.1W	1
340	HBS1220AF-340	Client Cover	FC25	1
341	HBS1220AF-341	Grease Fitting	PT-1/8"	1
342	HBS1220AF-342	Oil Connector	PT-1/2"-1/4"	1
342-1	HBS1220AF-342-1	Bush	PT-1/4"	1
342-2	HBS1220AF-342-2	End connector	PT-1/4"	1
342-3	HBS1220AF-342-3	Tube	PT-1/4"-120L	1
343	HBS1220AF-343	Oil Hole Plug	PT-3/8" S20C	1
344	HBS1220AF-344	PU Transparent Tube	D=6mm,,120L	1
345	HBS1220AF-345	90 Degree Copper Connectors	PT1/8x6mm Cu	2

HBS-1220AF Breakdown for Auto Feed Assembly

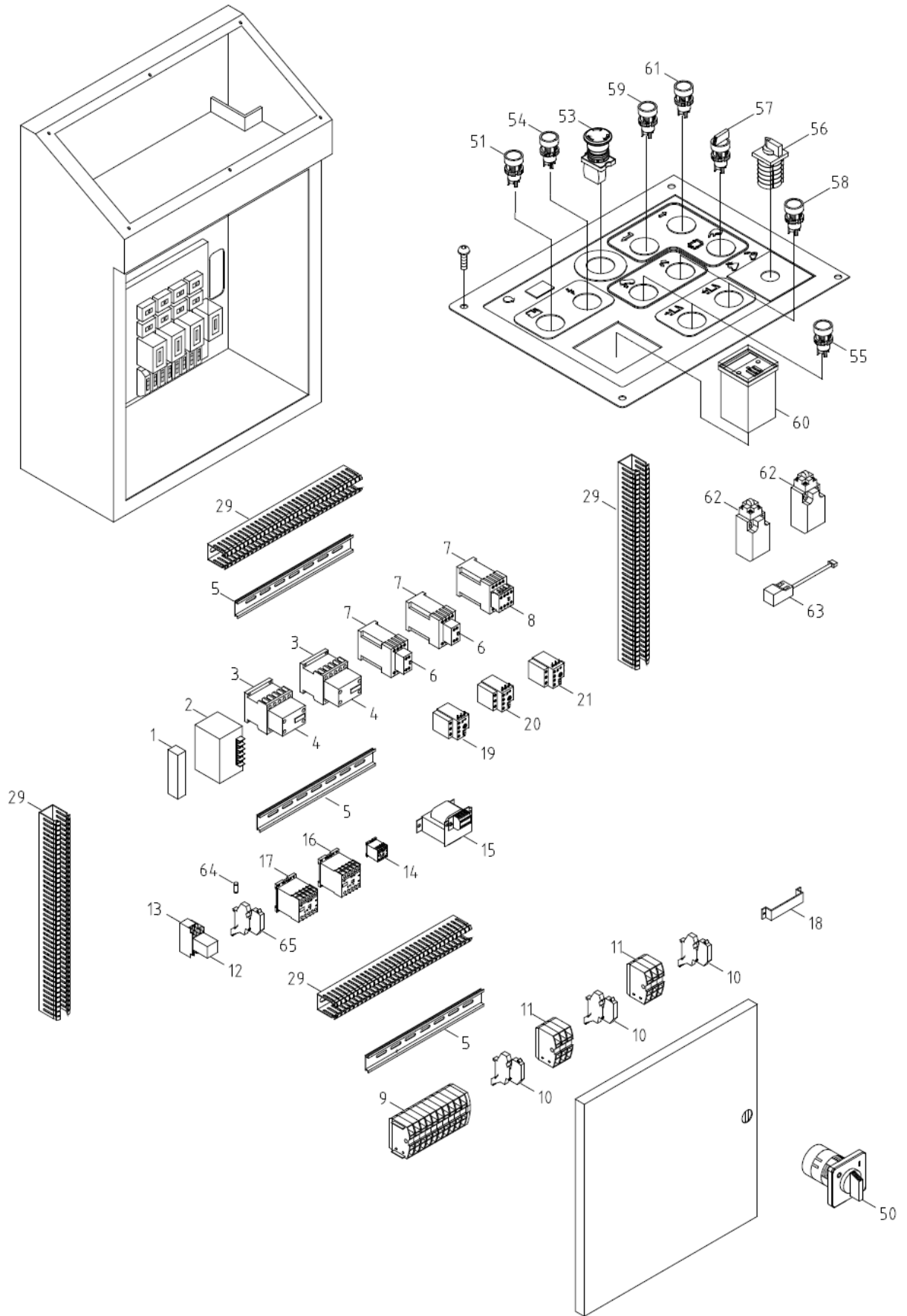


HBS1220AF Part list for Auto Feed Assembly

Index No.	Part No.	Description	Size	Qty
400	HBS1220AF-400	Vice Activities	FC25	1
401	HBS1220AF-401	Roller	S45C	3
402	HBS1220AF-402	Two-Round Key	6x6x20L	3
403	HBS1220AF-403	Gear Seat	FC25	1
404	HBS1220AF-404	Hex. Socket Head Screw	M8x30L	4
405	HBS1220AF-405	Pin	OD=5,,15L S45C	2
406	HBS1220AF-406	Gear	S45C	4
407	HBS1220AF-407	Gear	S45C	2
408	HBS1220AF-408	Gear	S45C	1
409	HBS1220AF-409	Bearing	DU,,22x25x15B	6
409-1	HBS1220AF-409-1	Bearing	DU,,18x20x15B	6
410	HBS1220AF-410	Cover	FC25	1
411	HBS1220AF-411	Spring Washer	M6	8
412	HBS1220AF-412	Hex. Socket Head Screw	M6x25L	8
413	HBS1220AF-413	Hex. Socket Head Screw	M8x20L	4
414	HBS1220AF-414	Feed Motor		1
415	HBS1220AF-415	Gear Box Group	#50,,E=1/80 AL	1
415-1	HBS1220AF-415-1	Gear Box Group	#PC063,,E=1/2.93 AL	1
416	HBS1220AF-416	Shaft	S45C	1
417	HBS1220AF-417	Two-Round Key	6x6x20L	1
418	HBS1220AF-418	Two-Round Key	8x7x50L	1
419	HBS1220AF-419	C-Retaniner Ring	S25	1
420	HBS1220AF-420	C-Retaniner Ring	S20	1
421	HBS1220AF-421	Plate	SS41	1
422	HBS1220AF-422	Cutting Plate	SS41	1
423	HBS1220AF-423	Hex. Socket Head Screw	M8x20L	4
427	HBS1220AF-427	Control Panel Plate	SS41	1
428	HBS1220AF-428	Control Panel Paster		1
429	HBS1220AF-429	Switch Plate	SS41	1
429-1	HBS1220AF-429-1	Scale		1
429-2	HBS1220AF-429-2	Proximity Switch		1
430	HBS1220AF-430	Fix Vice A	FC25	1
431	HBS1220AF-431	Roller A	S45C	3
432	HBS1220AF-432	Bushing	DU,,22x25x15B	6
433	HBS1220AF-433	Up Bracket	FC25	1
434	HBS1220AF-434	Spring Washer	M8	4
435	HBS1220AF-435	Hex. Socket Head Screw	M8x30L	4
436	HBS1220AF-436	Distance Set Rod	S30C	1
439	HBS1220AF-439	Distance Set Bracket	FC25	1
440	HBS1220AF-440	Handle	AL	1
441	HBS1220AF-441	Shaft Knob	S30C	1
442	HBS1220AF-442	Justle Block A	S30C	1
443	HBS1220AF-443	Spring	SUP4	1
444	HBS1220AF-444	Shaft Screw	S30C	1
445	HBS1220AF-445	Justle Shaft	S30C	1
446	HBS1220AF-446	ScaleScrew Knob	S30C	1
446-1	HBS1220AF-446-1	Screw Knob	S30C	1
447	HBS1220AF-447	Adjustable Plate	SS41	1
448	HBS1220AF-448	Washer	M6	1
449	HBS1220AF-449	Hex. Socket Head Screw	M6-1.0Px25L	1
450	HBS1220AF-450	Roller	Φ58x358Lx400 SS41	1
451	HBS1220AF-451	Hex. Nut	M12	2
452	HBS1220AF-452	Roller Bracket	SS41	1
453	HBS1220AF-453	Spring Washer	M10	4

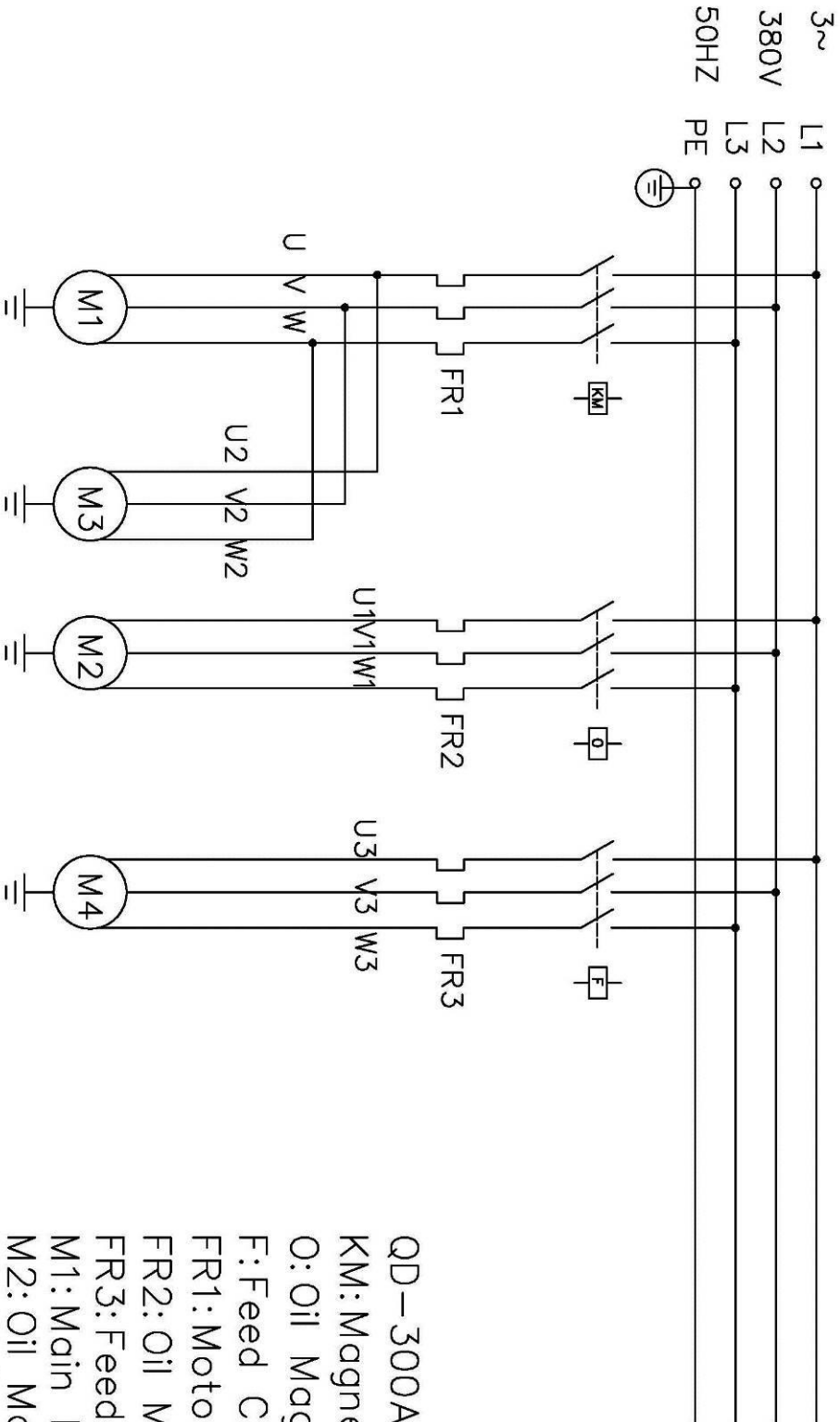
454HBS1220AF-454 Hex. Head Screw..... M10x25L..... 4

HBS-1220AF Breakdown for Electric Box Assembly

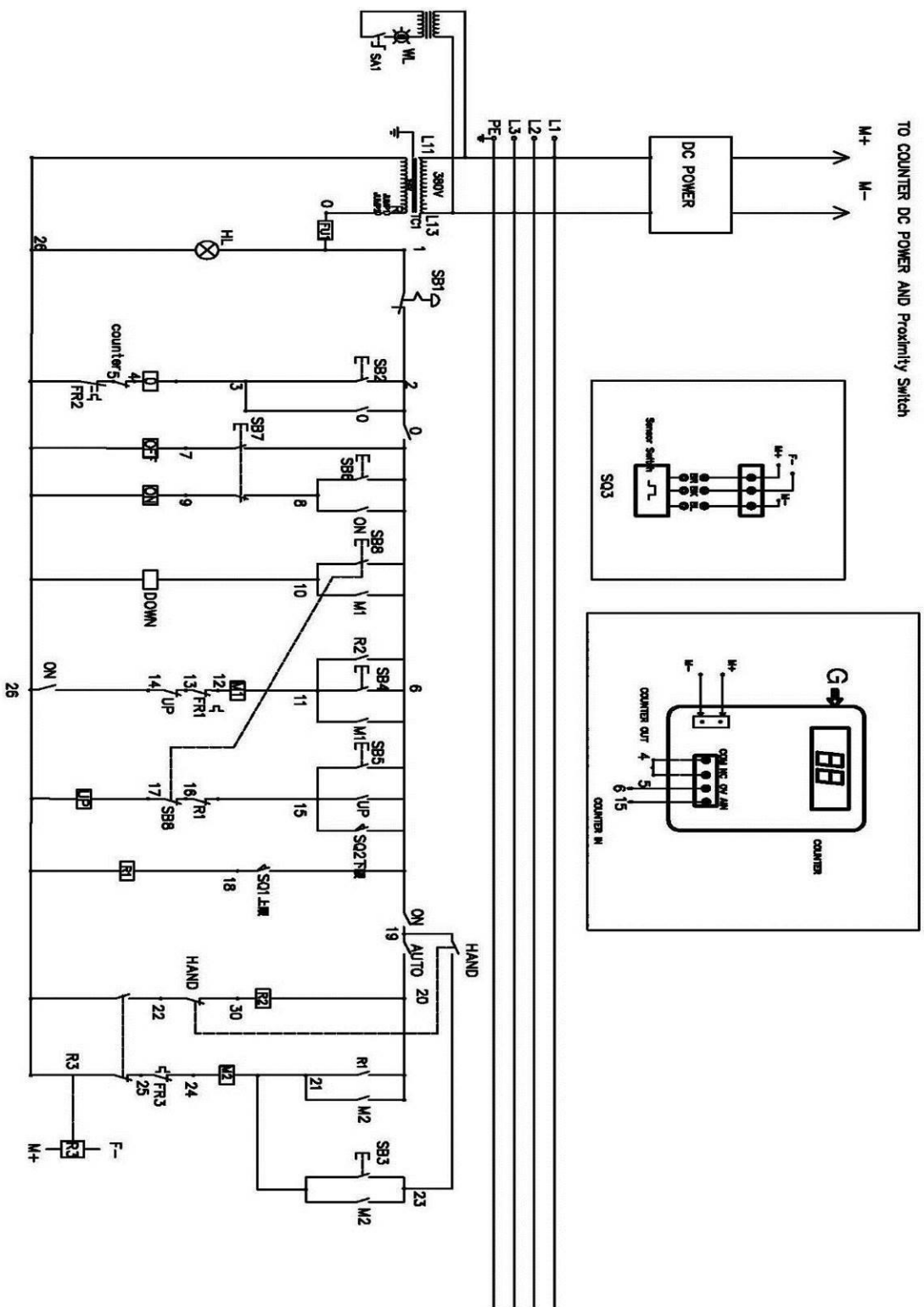


HBS-1220AF Part list for Electric Box Assembly

Index No.	Part No.	Description	Size	Qty
95	HBS1220AF-95	Electronic Control Box	SS41	1
95-1	HBS1220AF-95-1	Door Panel		1
95-2	HBS1220AF-95-2	Washer	M6	4
95-3	HBS1220AF-95-3	Hex. Headless Screw	M6x10L	4
96-1	HBS1220AF-96-1	Round Cross Screw Hole	M5x10L	6
96-2	HBS1220AF-96-2	Oil-Control Sticker		1
51	HBS1220AF-51	Button switch GRN		1
55	HBS1220AF-55	Button switch GRN		2
53	HBS1220AF-53	E-STOP button		1
54	HBS1220AF-54	Power lamp		1
57	HBS1220AF-57	Rotary switch 2P		1
58	HBS1220AF-58	Button switch GRN		2
56	HBS1220AF-56	Rotary switch		1
59	HBS1220AF-59	Button switch GRN		1
60	HBS1220AF-60	Electronic counter		1
61	HBS1220AF-61	Button switch GRN		1
62	HBS1220AF-62	Limit switch		2
63	HBS1220AF-63	Proximity sensor		1
1	HBS1220AF-95-01	Din Rail End Cap		1
2	HBS1220AF-95-02	Power supply		1
3	HBS1220AF-95-03	Contactor 24V		2
4	HBS1220AF-95-04	Contactor 24V		2
5	HBS1220AF-05	Din Rail 1-3/8 x 3/8 x 7"		1
6	HBS1220AF-06	Contactor TECO 24V		2
7	HBS1220AF-07	Contactor TECO CU-11 24V		3
8	HBS1220AF-08	Contactor TECO 24V		1
19	HBS1220AF-19	OL relay		1
20	HBS1220AF-95-20	OL relay		1
21	HBS1220AF-95-21	OL relay		1
13	HBS1220AF-95-13	Relay base DYF08A		1
12	HBS1220AF-95-12	Relay SENO MY2N		1
65	HBS1220AF-65	Fuse holder		1
64	HBS1220AF-64	Fuse 5A 250V ceramic		1
16	HBS1220AF-16	Contactor 24V		1
17	HBS1220AF-17	Contactor		1
14	HBS1220AF-95-14	Contactor 24V		1
15	HBS1220AF-95-15	Transformer		1
9	HBS1220AF-9	Terminal bar 1-piece		1
10	HBS1220AF-95-10	Terminal bar 1-piece		3
11	HBS1220AF-95-11	Terminal bar 3-piece		2
18	HBS1220AF-18	Ground Terminal 6-Pole 1-Piece		1
50	HBS1220AF-50	Master Power switch Auspicious C027L		1
29	HBS1220AF-95-29	Wiring loom		1



- QD—300A Schematic
- KM: Magnetic Contactor
- O: Oil Magnetic Contactor
- F: Feed Contactor
- FR1: Motor Overload
- FR2: Oil Motor Overload
- FR3: Feed Motor Overload
- M1: Main Motor
- M2: Oil Motor
- M3: Water Pump
- M4: Feed Motor

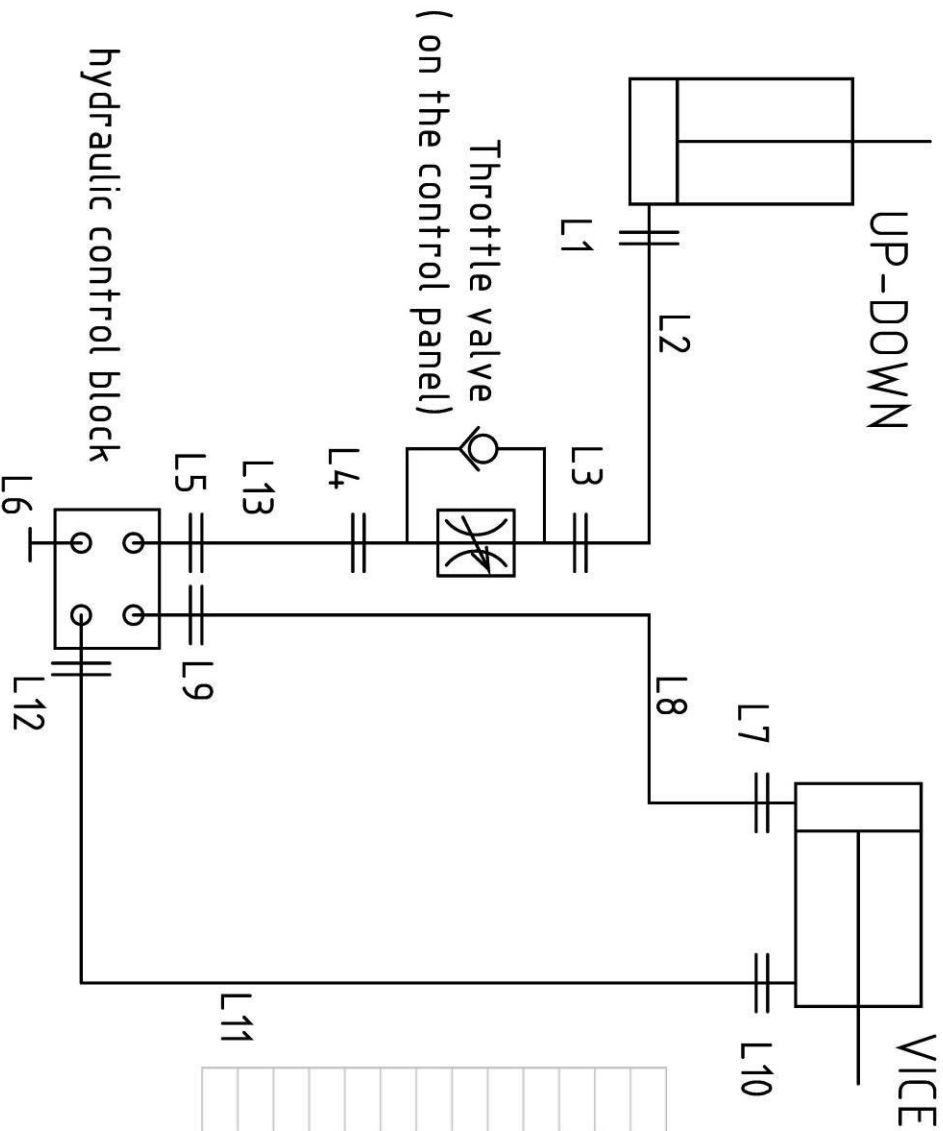


TO COUNTER DC POWER AND Proximity Switch

- SA1: Lighter Switch
- TC1: Transformer
- WL: Working Lighter
- Fu1: Fuse 5A
- HL: Singal
- SB1: Emergency Stop Switch
- SB2: Oil Motor Pushbutton
- SB3: Feed Motor Start Switch
- SB4: Motor Start Switch
- SB5: Up Pushbutton
- SB6: Vice On Pushbutton
- SB7: Vice Off Pushbutton
- SB8: Down Switch
- FR1: Motor Overload
- FR2: Oil Motor Overload
- FR3: Feed Motor Overload
- M1: Motor Contactor/5A
- ON: Vice On Contactor/5A
- OFF: Vice Off Contactor/4A
- UP : Up Contactor/4A1B
- DOWN: Down Contactor
- Voff: Vice off valve
- O: Oil Contactor
- SQ1: Upper Limit Switch
- SQ2: Lower Limit Switch
- SQ3: Proximity Switch
- R1: RELAY 1A1B
- R2: RELAY 1A
- M2: FEED MOTOR
- R3: DC RELAY
- G: Counter
- JUMP1: Cover Limit switch
- JUMP2: Cover Limit switch

Hydraulic control diagram

hydraulic control



L1	0° Hose fitting	PT3/8"X1/4"H	1
L2	Oil hose	1/4HX1/4H90X2800L	1
L3	90° Hose fitting	PT1/4X1/4H	1
L4	90° swagelok	PT1/4X1/4H	1
L5	0° Hose fitting	PT3/8"X1/4"H	1
L6	Stopper	PT3/8"	1
L7	90° Hose fitting	PT3/8"X1/4"H	1
L8	Oil hose	1/4HX1/4HX1050L	1
L9	0° Hose fitting	PT3/8"X1/4"H	1
L10	90° Hose fitting	PT3/8"X1/4"H	1
L11	Oil hose	1/4HX1/4HX1050L	1
L12	0° Hose fitting	PT3/8"X1/4"H	1
L13	Oil hose	1/4HX1/4H90X1600L	1