



JWP-15K
JWP-15K HH

Planer

....230/50/1

....400/50/3

PARTS LIST

JPW (Tool) AG

Ackerstrasse 45, CH-8610 Uster

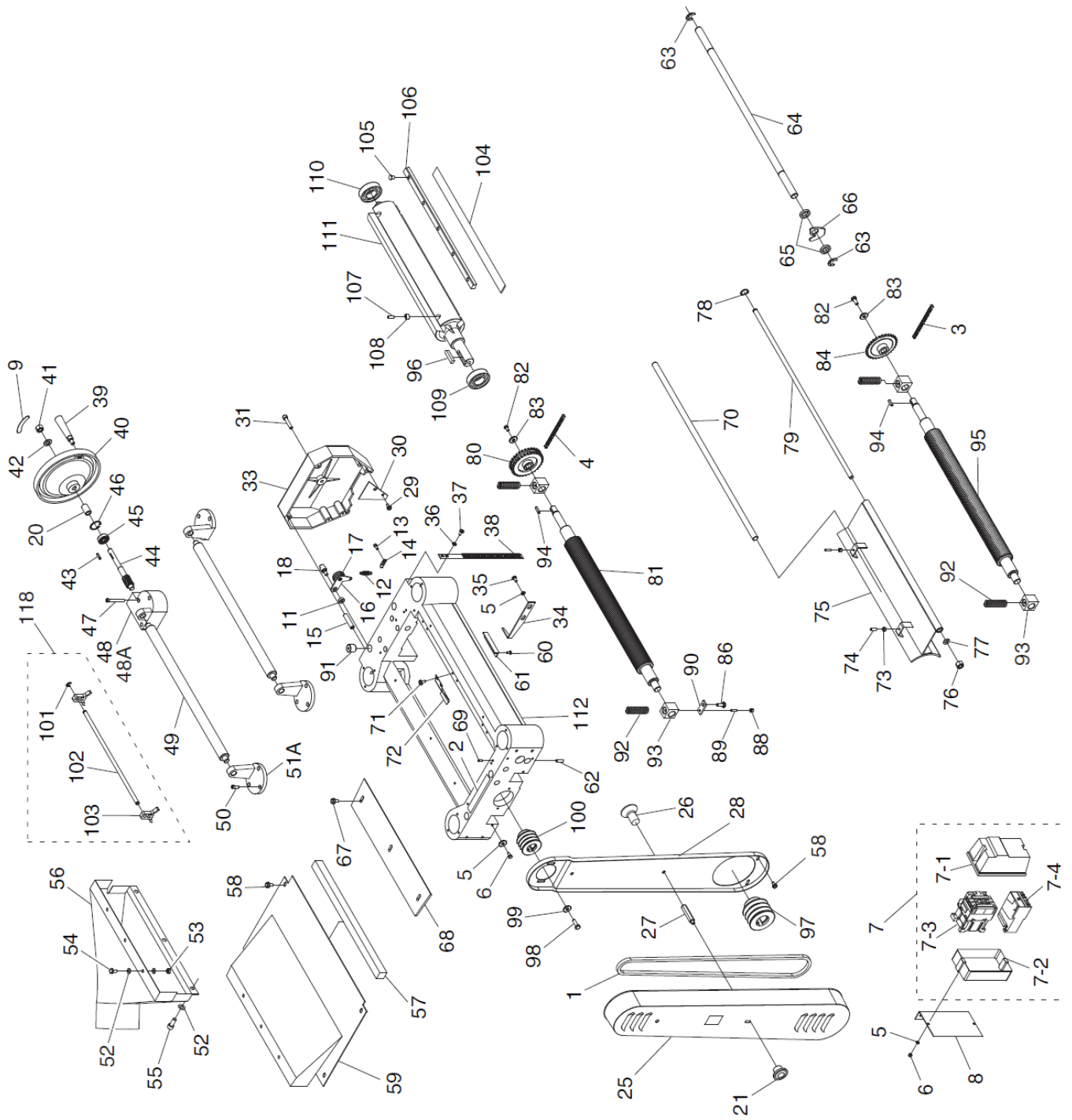
Switzerland

www.jettools.com

M-10000283M/T, 10000284M/T

2020-03

Parts Breakdown for JWP-15K/JWP-15K HH Headstock



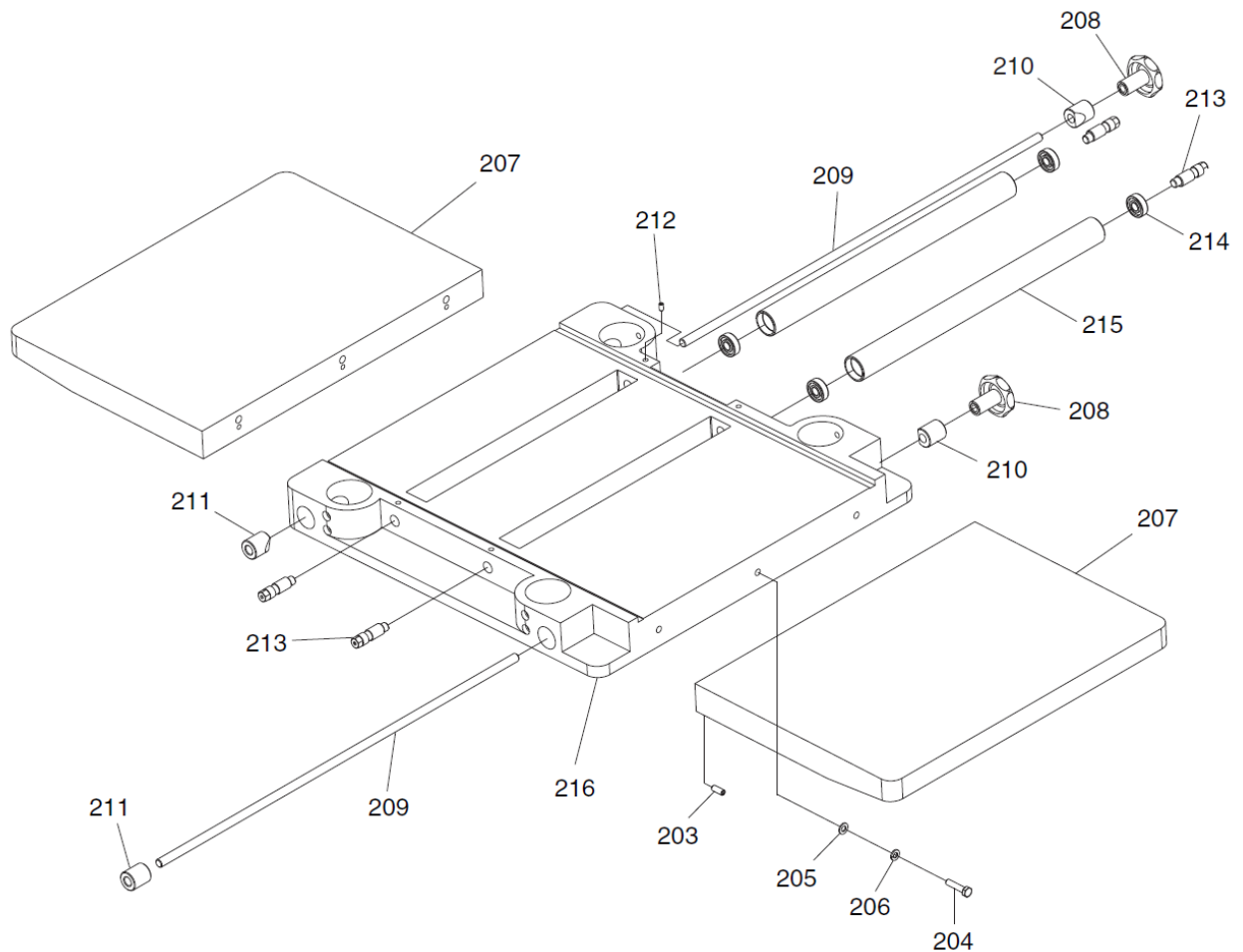
Parts List for JWP-15K/JWP-15K HH Headstock

Index No.	Part No.	Description	Size	Qty.
1	JWP15K-001	Cogged V-Belt	MX-60	3
2	JWP15K-002	Oil Fill Label		1
3	JWP15K-003	Chain Links	06B-1 x 49 31	1
4	JWP15K-004	Chain Links	06B-1 x 63 24	1
5	JWP15K-005	Flat Washer	6 mm	1
6	JWP15K-006	Cap Screw	M6-1 x 12	1
7	JWP15K-007	Magnetic Switch Assembly (230V 50Hz)		1
7	JWP15K-007A	Magnetic Switch Assembly (400V 50Hz)		1
7-1	JWP15K-007-1	Magnetic Switch Cover Assembly		1
7-2	JWP15K-007-2	Magnetic Switch Back Cover		1
7-3	JWP15K-007-3	Contactora		1
7-4	JWP15K-007-4	OL Relay		1
8	JWP15K-008	Magnetic Switch Plate		1
9	JWP15K-009	Handwheel Label		1
11	JWP15K-011	Idler Bracket Collar		1
12	JWP15K-012	Extension Spring		1
13	JWP15K-013	Cap Screw	M6-1 x 8	2
14	JWP15K-014	Hanger		1
15	JWP15K-015	Shaft		2
16	JWP15K-016	Bracket		1
17	JWP15K-017	Idler Pulley		1
18	JWP15K-018	Idler Mounting Shaft		1
20	JWP15K-020	Handwheel Collar		1
21	JWP15K-021	Star Knob	M8-1.25	2
25	JWP15K-025	Belt Cover		1
26	JWP15K-026	Flat Head Cap Screw	M6-1 x 16	2
27	JWP15K-027	Hex Standoff		2
28	JWP15K-028	Belt Guard		1
29	JWP15K-029	Flange Bolt	M6-1 x 10	4
30	JWP15K-030	Safety Hatch		2
31	JWP15K-031	Cap Screw	M8-1.25 x 45	1
33	JWP15K-033	Chain Drive Cover		1
34	JWP15K-034	Pointer		1
35	JWP15K-035	Philip Head Screw	M6-1 x 12	2
36	JWP15K-036	Flat Washer	6 mm	2
37	JWP15K-037	Philip Head Screw	M6-1 x 12	2
38	JWP15K-038	Handwheel Scale		1
39	JWP15K-039	Handwheel Handle		1
40	JWP15K-040	Handwheel		1
41	JWP15K-041	Hex Nut	M12-1.75	1
42	JWP15K-042	Flat Washer	12 mm	1
43	JWP15K-043	Key	4 x 4 x 20	1
44	JWP15K-044	Worm Gear		1
45	JWP15K-045	Ball Bearing	6201ZZ	1
46	JWP15K-046	Internal Retaining Ring	32 mm	1
47	JWP15K-047	Cap Screw	M5-8 x 55	3
48	JWP15K-048	Worm Housing		1
48A	JWP15K-048A	Worm Housing Assembly		1
49	JWP15K-049	Return Roller		2
50	JWP15K-050	Cap Screw	M5-8 x 14	9
51A	JWP15K-051A	Roller Stand		3
52	JWP15K-052	Flat Washer	6 mm	6
53	JWP15K-053	Hex Nut	M6-1	3
54	JWP15K-054	Hex Bolt	M6-1 x 10	3
55	JWP15K-055	Cap Screw	M8-1.25 x 20	3
56	JWP15K-056	Dust Hood		1

Parts List for JWP-15K/JWP-15K HH Headstock

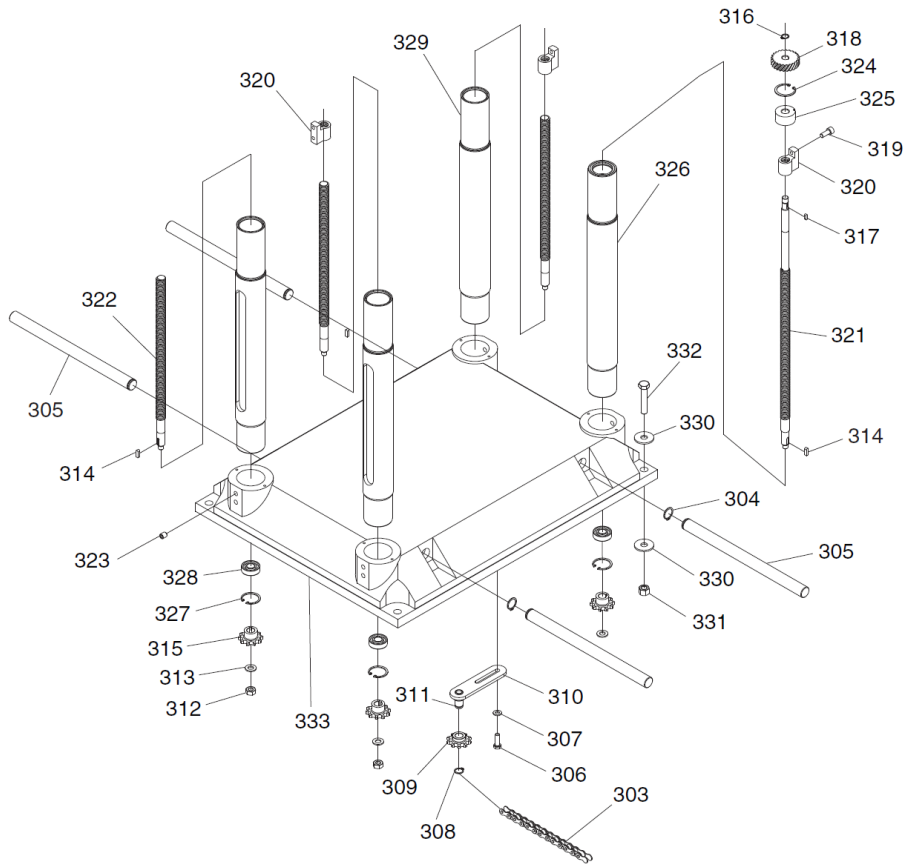
Index No.	Part No.	Description	Size	Qty.
57	JWP15K-057	Foam Piece		1
58	JWP15K-058	Flange Bolt	M6-1 x 10	6
59	JWP15K-059	Top Cover		1
60	JWP15K-060	Flat Head Screw	M6-1 x 8	2
61	JWP15K-061	Cutting Limit Plate		1
62	JWP15K-062	Set Screw	M8-1.25 x 16	1
63	JWP15K-063	E-Clip	15 mm	2
64	JWP15K-064	Anti-Kickback Finger Shaft		1
65	JWP15K-065	Anti-Kickback Shaft Collar		30
66	JWP15K-066	Anti-Kickback Finger		29
67	JWP15K-067	Flange Bolt	M6-1 x 12	1
68	JWP15K-068	Chip Deflector		3
69	JWP15K-069	Set Screw	M6-1 x 20	2
70	JWP15K-070	Chip Breaker Shaft		1
71	JWP15K-071	Flange Bolt	M6-1 x 12	6
72	JWP15K-072	Hold Down Plate		3
73	JWP15K-073	Hex Nut	M6-1	2
74	JWP15K-074	Set Screw	M6-1 x 18	2
75	JWP15K-075	Chip Breaker		1
76	JWP15K-076	Hex Nut	M12-1.75	1
77	JWP15K-077	Lock Washer	12 mm	1
78	JWP15K-078	Extension Retaining Ring	12 mm	1
79	JWP15K-079	Locking Rod		1
80	JWP15K-080	Outfeed Roller Sprocket		1
81	JWP15K-081	Outfeed Roller		1
82	JWP15K-082	Hex Bolt	M6-1 x x16	1
83	JWP15K-083	Flat Washer	6 mm	1
84	JWP15K-084	Infeed Roller Sprocket		1
86	JWP15K-086	Hex Bolt	M8-1.25 x 16	4
88	JWP15K-088	Hex Nut	M5-8	4
89	JWP15K-089	Set Screw	M5-8 x 12	4
90	JWP15K-090	Plate		4
91	JWP15K-091	Oiler Set Screw		4
92	JWP15K-092	Compression Spring		4
93	JWP15K-093	Roller Bushing Block		4
94	JWP15K-094	Key	5 x 5 x 16	1
95	JWP15K-095	Infeed Roller		1
96	JWP15K-096	Key	8 x 8 x 35	1
97	JWP15K-097	Motor Pulley		1
98	JWP15K-098	Hex Bolt	M8-1.25 x 20	2
99	JWP15K-099	Collar		2
100	JWP15K-100	Cutter Head Pulley		1
101	JWP15K-101	E-Clip	8 mm	4
102	JWP15K-102	Knife Jig Shaft		1
103	JWP15K-103	Knife Jig Foot		2
104	JWP15K-104	Knives 3-PC Set		3
105	JWP15K-105	Gib Screw		15
106	JWP15K-106	Gib		3
107	JWP15K-107	Jack Screw	M5-8 x 12	6
108	JWP15K-108	Adjusting Nut		6
109	JWP15K-109	Ball Bearing	6205ZZ	1
110	JWP15K-110	Ball Bearing	6204ZZ	1
111	JWP15K-111	Straight Knife Cutterhead (JWP-15K)		1
111	JWP15K 111H	Helical Cutterhead (JWP-15K HH)		1
112	JWP15K-112	Head Casting		1
118	JWP15K-118	Knife Setting Jig Assembly (only for JWP-15K)		1
119	JWP15K-119	Power Cord (not shown)		1

Parts Breakdown for JWP-15K/JWP-15K HH Table



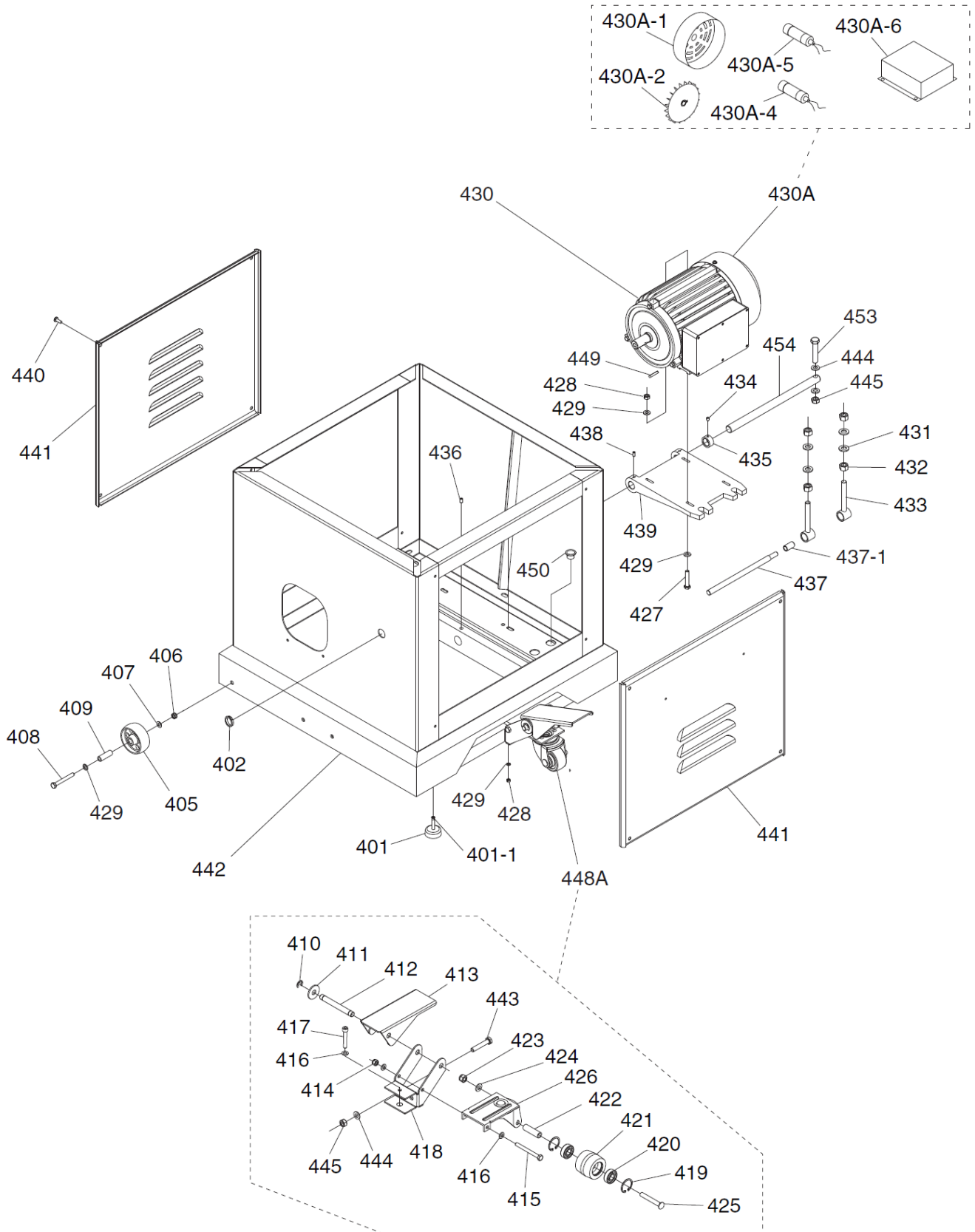
Index No.	Part No.	Description	Size	Qty.
203	JWP15K-203	Set Screw	M8-1.25 x 20	4
204	JWP15K-204	Hex Bolt	M8-1.25 x 30	6
205	JWP15K-205	Flat Washer	8 mm	6
206	JWP15K-206	Lock Washer	8 mm	6
207	JWP15K-207	Table Extension Wing		2
208	JWP15K-208	Star Knob	M12-1.75	2
209	JWP15K-209	Lock Bolt		2
210	JWP15K-210	Gib		2
211	JWP15K-211	Wedge Dog		2
212	JWP15K-212	Set Screw	M6-1 x 16	4
213	JWP15K-213	Eccentric Shaft		4
214	JWP15K-214	Ball Bearing	608ZZ	4
215	JWP15K-215	Bed Roller		2
216	JWP15K-216	Main Table		1

Parts Breakdown for JWP-15K/JWP-15K HH Columns



Index No.	Part No.	Description	Size	Qty.
303	JWP15K-303	Chain		1
304	JWP15K-304	Extension Retaining Ring	15 mm	4
305	JWP15K-305	Lifting Bar		4
306	JWP15K-306	Hex Bolt	M8-1.25 x 20	2
307	JWP15K-307	Flat Washer	8 mm	2
308	JWP15K-308	Extension Retaining Ring	15 mm	1
309	JWP15K-309	Sprocket		1
310	JWP15K-310	Sprocket Bracket Assembly		1
311	JWP15K-311	Sprocket		1
312	JWP15K-312	Hex Nut	M10-1.5	4
313	JWP15K-313	Flat Washer	10 mm	4
314	JWP15K-314	Key	5 x 5 x 16	4
315	JWP15K-315	Sprocket		4
316	JWP15K-316	Extension Retaining Ring	12 mm	1
317	JWP15K-317	Key	4 x 4 x 12	1
318	JWP15K-318	Gear		1
319	JWP15K-319	Cap Screw	M6-1 x 20	8
320	JWP15K-320	Leadscrew Nut		4
321	JWP15K-321	Primary Leadscrew		1
322	JWP15K-322	Secondary Leadscrew		3
323	JWP15K-323	Set Screw	M10-1.5 x 12	16
324	JWP15K-324	Internal Retaining Ring	40 mm	1
325	JWP15K-325	Bushing		1
326	JWP15K-326	Primary Column		1
327	JWP15K-327	Internal Retaining Ring	42 mm	4
328	JWP15K-328	Ball Bearing	6302ZZ	4
329	JWP15K-329	Secondary Column		3
330	JWP15K-330	Flat Washer	12 mm	8
331	JWP15K-331	Hex Nut	M12-1.75	4
332	JWP15K-332	Hex Bolt	M12-1.75 x 45	4
333	JWP15K-333	Base		1

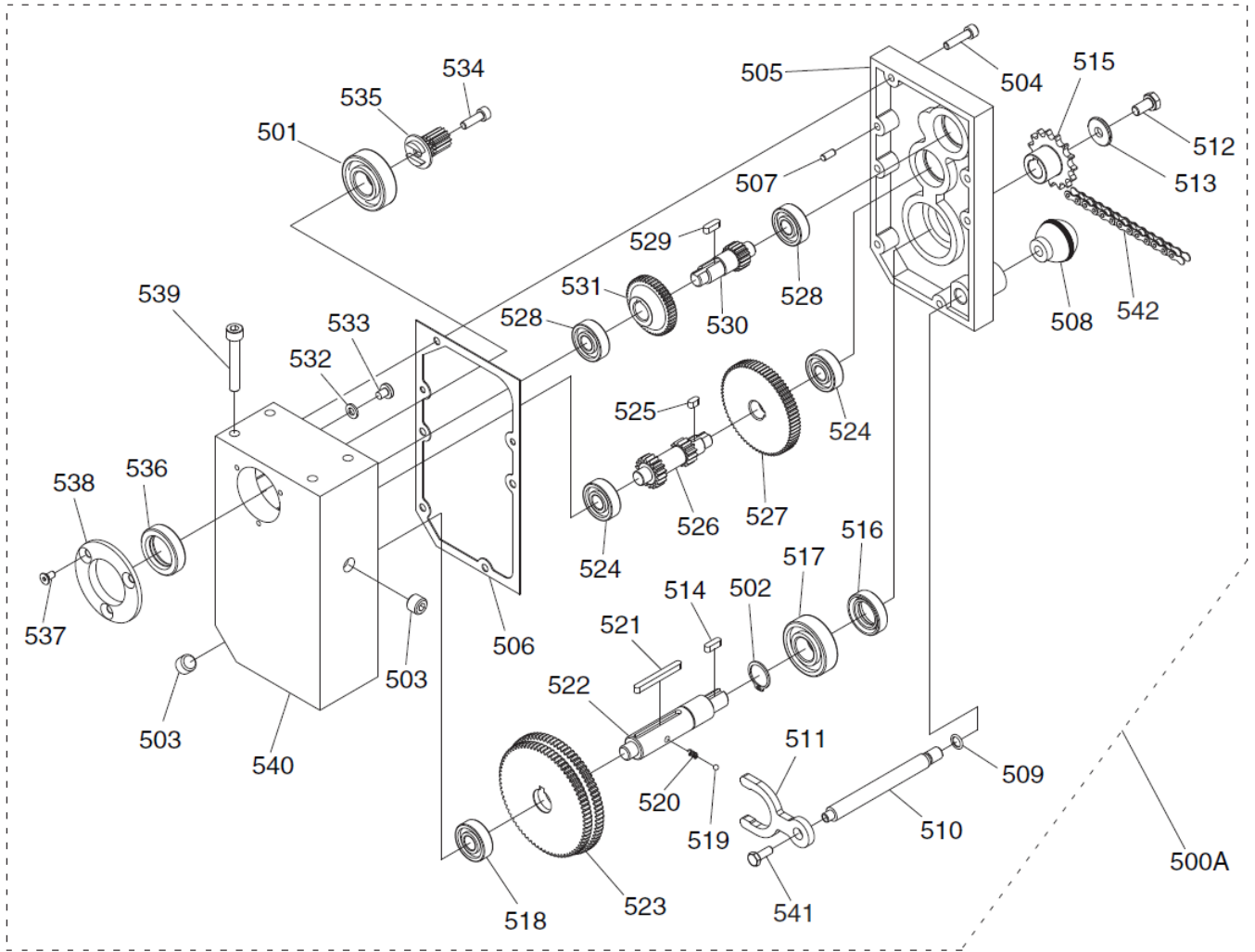
Parts Breakdown for JWP-15K/JWP-15K HH Cabinet Stand



Parts List for JWP-15K/JWP-15K HH Headstock

Index No.	Part No.	Description	Size	Qty.
401	JWP15K-401	Rubber Foot		1
401-1	JWP15K-401-1	Hex Nut	M8-1.25	1
402	JWP15K-402	Plastic Gromment		1
405	JWP15K-405	Universal Wheel	φ78 mm	2
406	JWP15K-406	Hex Nut	M8-1.25	2
407	JWP15K-407	Flat Washer	8 mm	2
408	JWP15K-408	Hex Bolt	M8-1.25 x 65	1
409	JWP15K-409	Sleeve		2
410	JWP15K-410	Extension Retaining Ring	9 mm	2
411	JWP15K-411	Flat Washer	12 mm	2
412	JWP15K-412	Shaft	12 mm	1
413	JWP15K-413	Pedal		1
414	JWP15K-414	Hex Nut	M8-1.25	1
415	JWP15K-415	Hex Bolt	M8-1.25 x 100	1
416	JWP15K-416	Flat Washer	8 mm	1
417	JWP15K-417	Hex Bolt	M8-1.25 x 50	1
418	JWP15K-418	Bracket		1
419	JWP15K-419	Internal Retaining Ring	35 mm	4
420	JWP15K-420	Ball Bearing	6202-2RS	2
421	JWP15K-421	Trolley Wheel		1
422	JWP15K-422	Trolley Wheel Sleeve		1
423	JWP15K-423	Lock Nut	M12-1.75	1
424	JWP15K-424	Flat Washer	10 mm	1
425	JWP15K-425	Trolley Wheel Bolt		1
426	JWP15K-426	Trolley Universal Kit		1
427	JWP15K-427	Hex Bolt	M8-1.25 x 45	4
428	JWP15K-428	Hex Nut	M8-1.25	2
429	JWP15K-429	Flat Washer	8 mm	2
430A	JWP15K-430A	Motor Assembly	230V, 50Hz	1
430A	JWP15K-430B	Motor Assembly	400V, 50Hz	1
430A-1	JWP15K-430A-1	Motor Fan Cover		1
430A-2	JWP15K-430A-2	Motor Fan		1
430A-4	JWP15K-430A-4	Running Capacity		1
430A-5	JWP15K-430A-5	Starting Capacity		1
430A-6	JWP15K-430A-6	Junction Box		1
431	JWP15K-431	Flat Washer	12 mm	4
432	JWP15K-432	Hex Nut	M12-1.75	4
433	JWP15K-433	Adjust Bolt		2
434	JWP15K-434	Set Screw	M6-1 x 8	1
435	JWP15K-435	Lock Collar		1
436	JWP15K-436	Set Screw	M8-1.25 x 12	1
437	JWP15K-437	Plate Connecting Rod		1
437-1	JWP15K-437-1	Bushing		1
438	JWP15K-438	Set Screw	M6-1 x 12	2
439	JWP15K-439	Motor Mount Plate		1
440	JWP15K-440	Phillip Head Screw	M6-1 x 20	8
441	JWP15K-441	Cabinet Cover		1
442	JWP15K-442	Cabinet Stand		1
443	JWP15K-443	Hex Bolt	M12-1.75 x 120	2
444	JWP15K-444	Flat Washer	10 mm	2
445	JWP15K-445	Hex Nut	M10-1.5	2
448A	JWP15K-448A	Pedal Assembly		1
449	JWP15K-449	Key	5 x 5 x 30	1
450	JWP15K-450	Ball Strain Relief		4
453	JWP15K-453	Hex Bolt	M10-1.5 x 70	1
454	JWP15K-454	Plate Connecting Rod		1

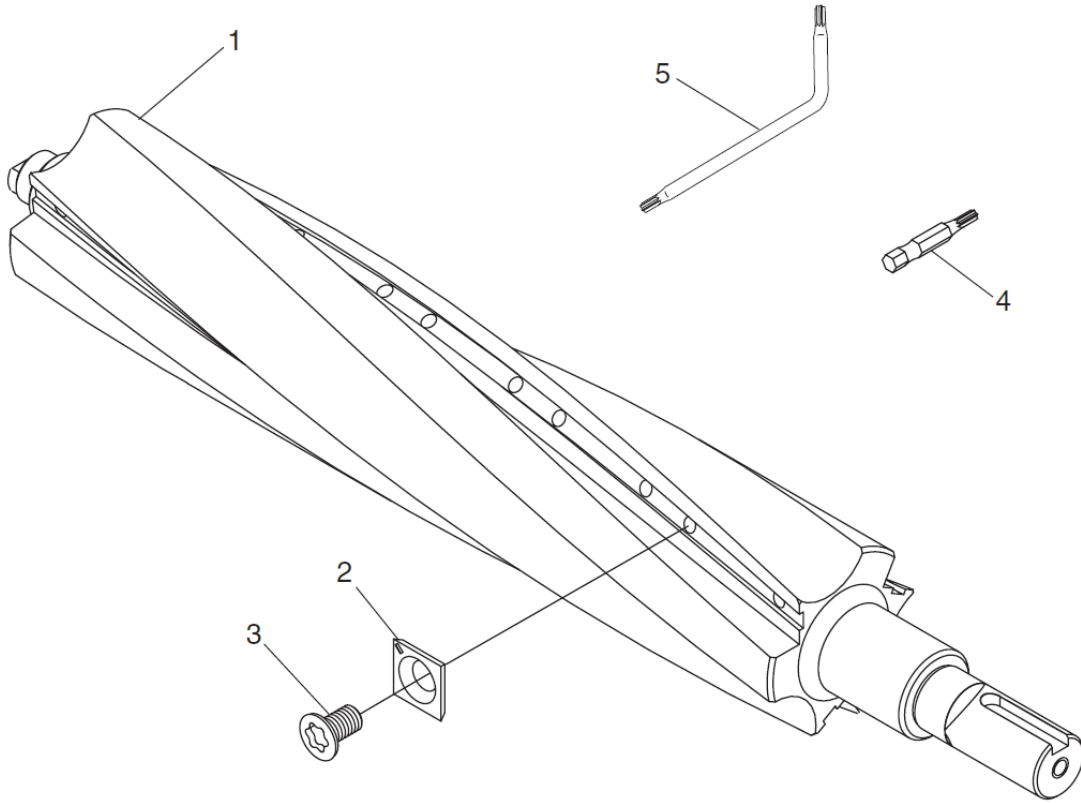
Parts Breakdown for JWP-15K/JWP-15K HH Gearbox



Parts List for JWP-15K/JWP-15K HH Gearbox

Index No.	Part No.	Description	Size	Qty.
500A	JWP15K-500A	Gearbox Assembly		1
501	JWP15K-501	Ball Bearing	6204ZZ	1
502	JWP15K-502	Extension Retaining Ring	20 mm	1
503	JWP15K-503	Oil Plug		2
504	JWP15K-504	Cap Screw	M6-1 x 25	5
505	JWP15K-505	Gearbox Base		1
506	JWP15K-506	Gasket		1
507	JWP15K-507	Pin	5 x 10	2
508	JWP15K-508	Ball Knob	M10-1.5	1
509	JWP15K-509	O-ring	10.8 x 2.4 P11	1
510	JWP15K-510	Handle Shaft		1
511	JWP15K-511	Shifting Fork		1
512	JWP15K-512	Hex Bolt	M8-1.25 x 16	1
513	JWP15K-513	Flat Washer	8 mm	1
514	JWP15K-514	Key	5 x 5 x 16	1
515	JWP15K-515	Sprocket		1
516	JWP15K-516	Oil Seal	20 x 35 x 7	1
517	JWP15K-517	Ball Bearing	6204ZZ	1
518	JWP15K-518	Ball Bearing	6201ZZ	1
519	JWP15K-519	Steel Ball	4 mm	1
520	JWP15K-520	Compression Spring		1
521	JWP15K-521	Key	5 x 5 x 50	1
522	JWP15K-522	Shaft		1
523	JWP15K-523	Gear		1
524	JWP15K-524	Ball Bearing	6201ZZ	2
525	JWP15K-525	Key	5 x 5 x 10	1
526	JWP15K-526	Gear Shaft		1
527	JWP15K-527	Gear		1
528	JWP15K-528	Ball Bearing	6201ZZ	2
529	JWP15K-529	Key	5 x 5 x 14	1
530	JWP15K-530	Gear Shaft		1
531	JWP15K-531	Gear		1
532	JWP15K-532	Flat Washer	6 mm	1
533	JWP15K-533	Phillip Head Screw	M6-1 x 8	1
534	JWP15K-534	Cap Screw	M6-1 x 20 LH	1
535	JWP15K-535	Gear	14T	1
536	JWP15K-536	Oil Seal	25 x 40 x 10	1
537	JWP15K-537	Cap Screw	M5-8 x 12	3
538	JWP15K-538	Flange Cover		1
539	JWP15K-539	Cap Screw	M8-1.25 x 50	4
540	JWP15K-540	Gear Box Cover		1
541	JWP15K-541	Flange Bolt	M6-1 x 12	1
542	JWP15K-542	Chain		1

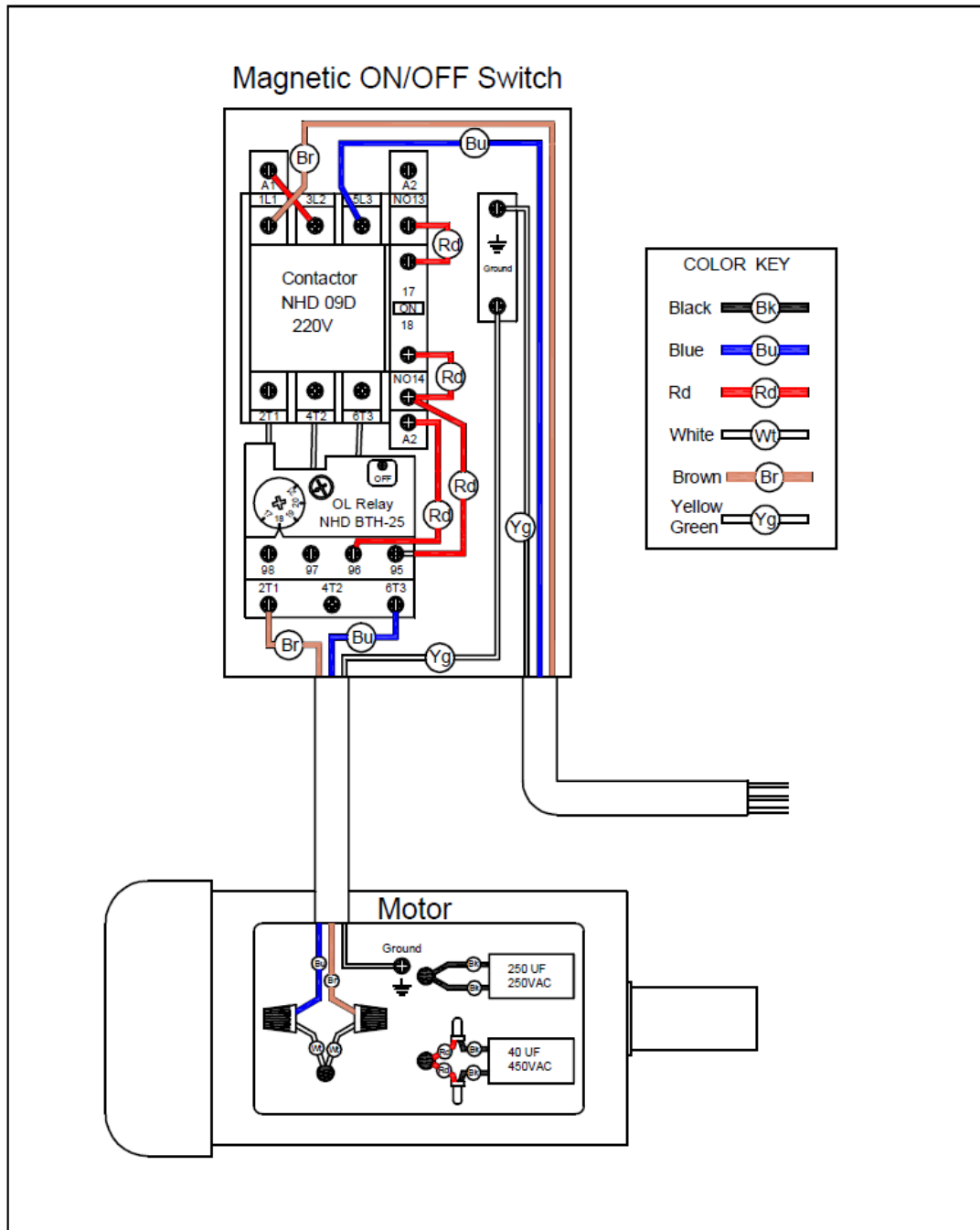
Parts Breakdown for Helical Cutterhead



Index No.	Part No.	Description	Size	Qty.
1	JWP15K-601	Helical Cutterhead		1
2	JWP15K-602	Cutterhead Insert	15x15x2.5	5
3	JWP15K-603	Flat Head Torx Screw	T20 M6-1x15	3
4	JWP15K-604	Torx Bit	T20	2
5	JWP15K-605	L-Wrench Torx	T20	2

Wiring Diagram for JWP-15K/JWP-15K HH Planer

..... ~ 230V, 50Hz



Wiring Diagram for JWP-15K/JWP-15K HH Planer

..... ~ 400V, 50Hz

